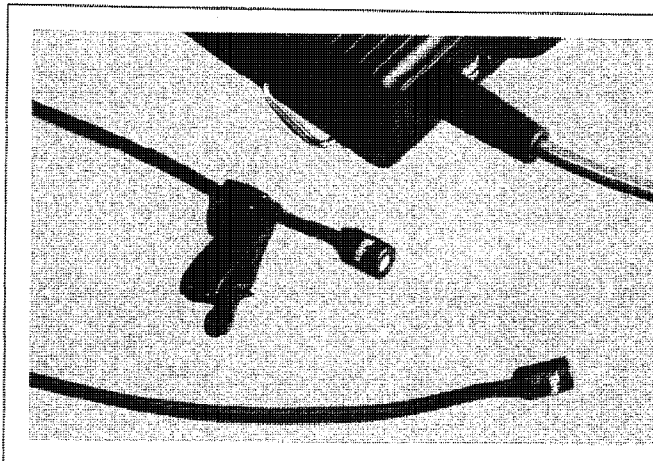


Telex Technical Data

No. 4328-1

ELM-22 AND ELM-33 Micro-Mini Electret Microphones



General Description

The unidirectional ELM-33 (shown at right in clothing clip) and the omnidirectional ELM-22 (shown in foreground) measure only .2" (5.1 mm) in diameter and .3" (7.6 mm) in length. Each mic comes with a clothing clip, tie tac and windscreen.

Telex ELM microphones are ideally suited for broadcast, sound reinforcement and recording applications including vocal and instrumental micing.

Design Features

- Extremely small and lightweight for inconspicuous placement.
- Smooth frequency response over the entire audio range.
- Compatible with Telex and other wireless transmitters for added mobility.
- An optional Model PS-9 interface module is available for wired applications. The PS-9 may be used with phantom power sources, and also has an internal 9-volt battery for applications where phantom power is not available.
- Available in a variety of models with different cord terminations for wired and wireless applications. See the Wiring Table and Figure 1.

Wiring Table

Model	Termination	Pin Configuration
ELM-22PT ELM-33PT	Unterminated (for customer plug connection)	Shield/Black: Common White: Audio Red: Bias
ELM-22S ELM-33S	TA4F	Pin 1: Common Pin 2: Audio Pin 3: Bias Pin 4: Not used
ELM-22L ELM-33L	LEMO	Pin 1: Common Pin 2: Audio Pin 3: Bias Pin 4: Not used
PS-9	TA4M (Mic input)	Pin 1: Common Pin 2: Audio Pin 3: Bias Pin 4: Not used
	A3M (Mixer output)	Pin 1: Common Pin 2: Audio/B+ Pin 3: Audio/B+

Specifications

Microphone Element
Electret condenser

Polar Pattern
ELM-22: Omnidirectional
ELM-33: Unidirectional

Frequency response (Figure 2)
ELM-22: 20 to 20,000 Hz
ELM-33: 100 to 15,000 Hz

Output Impedance
Microphone only: 5 kohms
Microphone with PS-9: 150 ohms

Output Level (ref: 74dB SPL, 1 kHz, 20 VDC bias, open circuit)
ELM-22: Microphone Only, -55 dBV; Microphone with PS-9, -69 dBV
ELM-33: Microphone Only, -66 dBV; Microphone with PS-9, -80 dBV

Dynamic Range
Greater than 110 dB

Maximum SPL
140 dB with PS-9

Power Requirements
Microphone: +3.0 to 20 Vdc at bias terminal
PS-9: Internal 9-volt battery or +9 to +52 Vdc at pins 2 and 3 of A3M output connector (phantom)

Material
Microphone Housing: Stainless steel
PS-9 Housing: Cast aluminum

Finish
Microphone: baked enamel, black
PS-9: Epoxy powder coat, black

© Telex Communications, Inc.: April 1991

TELEX

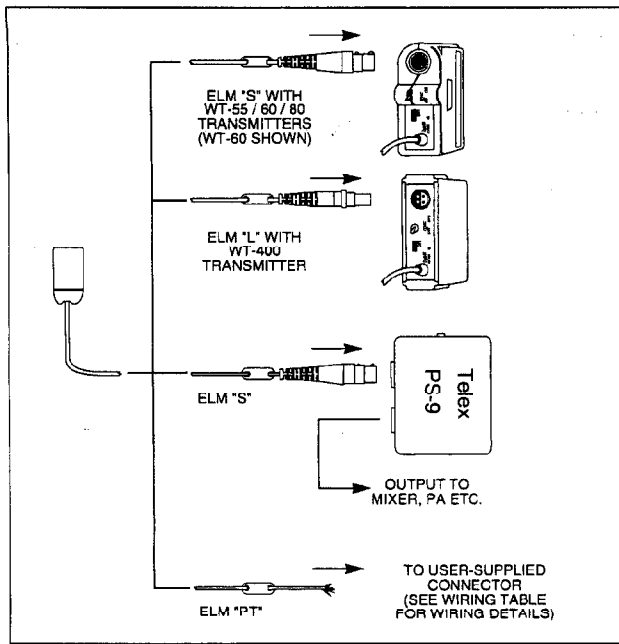


Figure 1. Applications

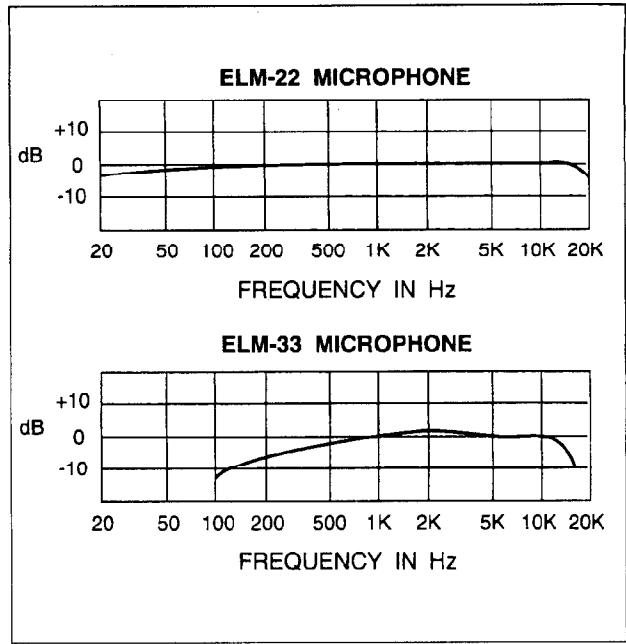


Figure 2. Frequency Response Curves

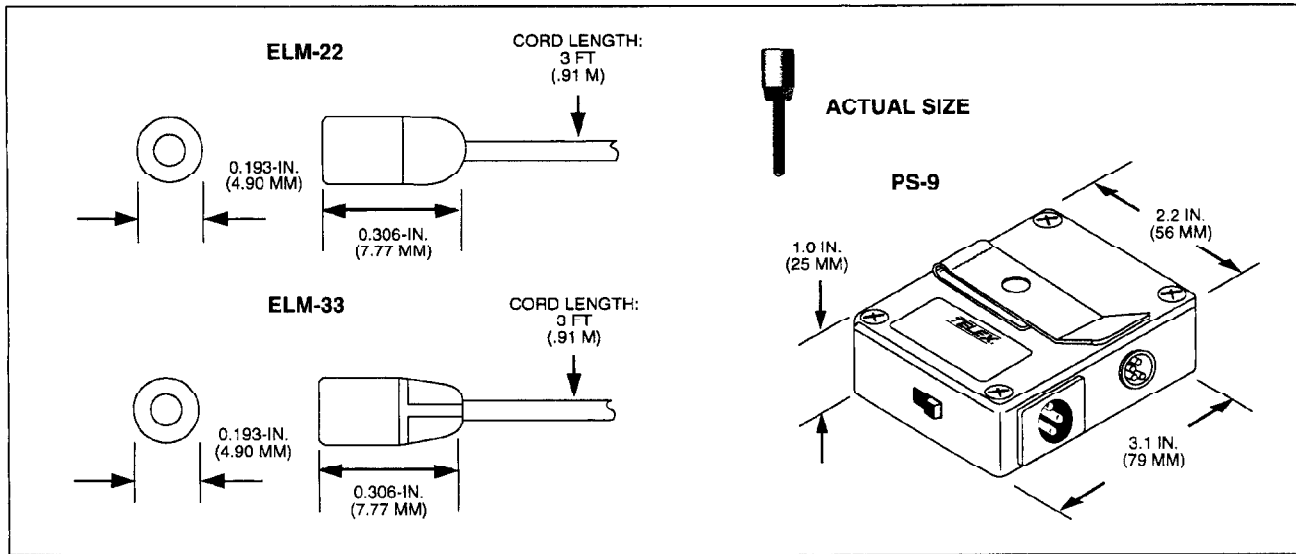


Figure 3. Dimensional Drawing

No Sales

Ordering Information

○ Model ELM-22PT Omni Electret Lapel Microphone with Unterminated Cable	70925-000
○ Model ELM-22S Omni Electret Lapel Microphone with TA4F Connector	70925-001
Model ELM-22SYS Omni Electret Lapel Microphone with TA4F Connector and PS-9 Power Supply	300035-000
Model ELM-22L Omni Electret Lapel Microphone with LEMO Connector	70925-002
Model ELM-33PT Uni Electret Lapel Microphone with Unterminated Cable	70926-000
Model ELM-33S Uni Electret Lapel Microphone with TA4F Connector	70926-001
Model ELM-33SYS Uni Electret Lapel Microphone with TA4F Connector and PS-9 Power Supply	300035-001
Model ELM-33L Uni Electret Lapel Microphone with LEMO Connector	70926-002
Model PS-9 Power Supply	70980-000
Replacement Windscreens	57013-000

