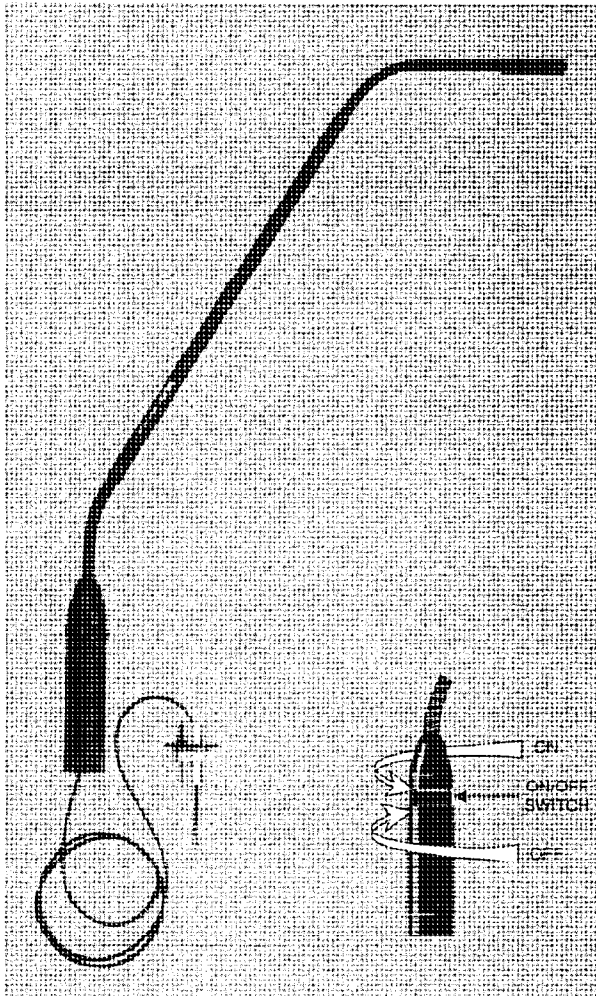


EGM-40P & EGM-41P Perma-Mount Gooseneck Microphones

General Description

The EGM-40P 19" (48.3 cm) and EGM-41P 12" (30.5 cm) perma-mount electret cardioid microphones are ideally suited for high-quality sound reinforcement, professional recording, and public address applications. The cardioid response makes them particularly beneficial when background noise is a problem. Both microphones feature a standard 5/8"-27 threaded flange for mounting on a microphone stand and a 5/8"-27 threaded adapter for mounting to a podium or other surface. An A3M connector is supplied with each microphone and is attached at the time of installation.



Design Features

- Utilizes a special, low-mass diaphragm for excellent frequency and transient response with low distortion.
- A mic-shorting switch turns the microphone on or off without pops or clicks.
- Requires phantom power; may be powered from any 9-52 vdc phantom power source.
- Rugged construction for long life.
- Non-reflective black finish.

Specifications

Microphone Element

Low-mass electret condenser

Polar Pattern

Cardioid (unidirectional)

Frequency Response

20-20,000 Hz

Output Impedance

150-200 ohms (low), balanced

Dynamic Range

Greater than 110 dB

Maximum Input SPL (1 kHz, 1% THD)

130 dB

Output Level (re: open circuit at 1 kHz, 1V/ μ bar)

-72 dB

Signal-to-Noise Ratio (re: 1 Pa)

Greater than 67 dB at 1 kHz

Switching

Mic shorting on-off switch

Power Requirements (mic bias)

9-52 vdc, 5.0 mA

Cable

10 ft (3 m), three-conductor shielded, permanently attached to microphone, with stripped and tinned leads

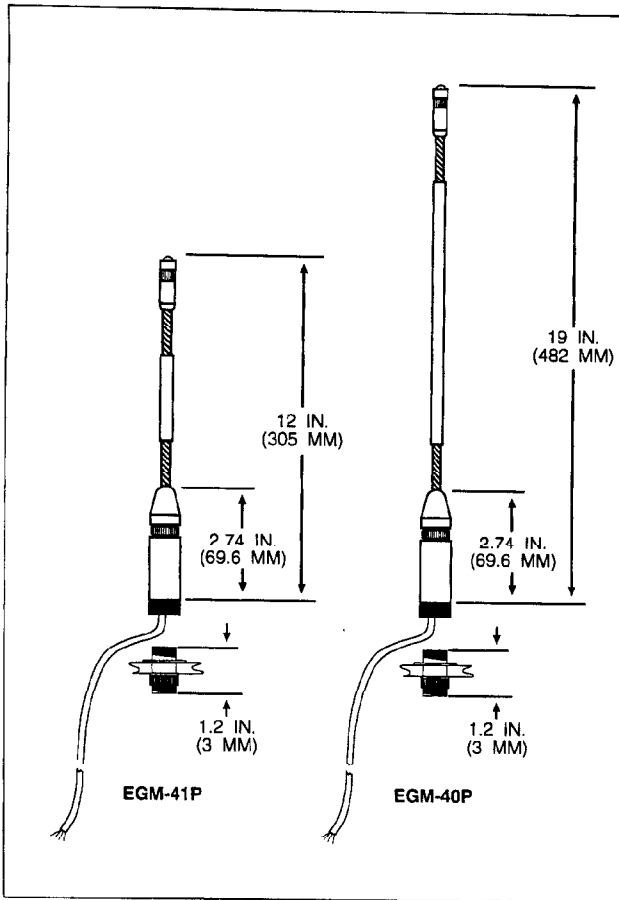
Connector (to be attached during installation)

A3M

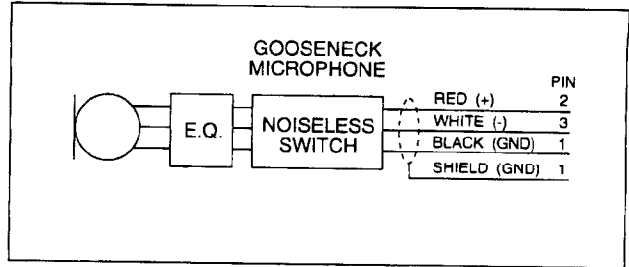
© Telex Communications, Inc., January 1992

TELEX

Specifications subject to change without notice.



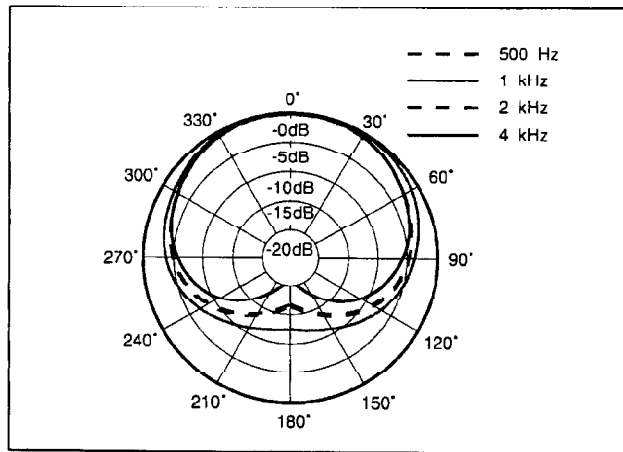
Dimensional Drawing



Wiring Diagram

Architect's and Engineer's Specifications

The Telex Model EGM-40P/EGM-41P shall be a permanently mountable, electret, cardioid, gooseneck microphone. It shall have a standard 5/8"-27 threaded flange for mounting on a microphone stand, and it shall be supplied with a 5/8"-27 threaded adapter for optional surface mounting. The microphone shall have an integral, 10-ft (3 m) cable. The cable end shall be unterminated, and the microphone shall be supplied with an A3M audio connector to be attached at the time of installation. The microphone shall have a mic-shorting switch to turn the microphone on or off without pops or clicks. The microphone shall have a frequency response of 20-20,000 Hz, and shall provide a balanced, low-impedance output (150-200 ohms). Output level shall be -72 dB at 1 kHz (re: 1V/ μ bar). All exterior surfaces shall have a non-reflective black finish. A removable windscreen shall be provided with the microphone.



Polar Response

Ordering Information

Model EGM-40P, 19" (48.3 cm) Perma-Mount Cardioid Condenser Gooseneck Microphone 300034-000
 Model EGM-41P, 12" (30.5 cm) Perma-Mount Cardioid Condenser Gooseneck Microphone 300034-001
 Replacement Windscreen 700054-000

\$ 4620.24 = 26 @ \$177.70 38.5% 1704

TELEX®