



The **NEW** Co₁₁
Premium Condenser Mic —

A Great Performer.

KEY FEATURES:

- Versatile condenser microphone, ideal for both vocals and instruments
- Cardioid polar pattern with excellent feedback rejection and acoustic isolation
- High compliance shock mount effectively eliminates handling noise
- Multistage pop filter eliminates breathpop noises
- Memraflex™ hardened grille screen

Cobalt™

wired and wireless professional microphones

Co₁₁

Premium Condenser Microphone

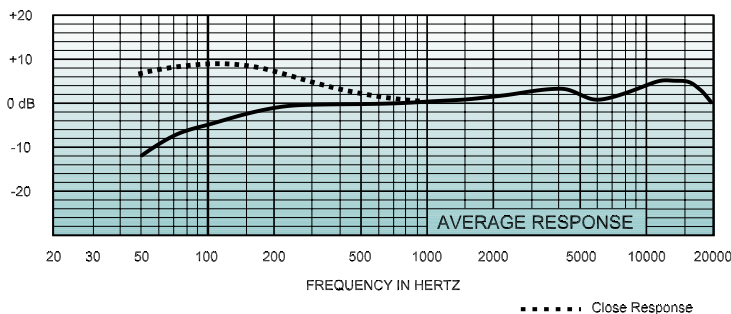
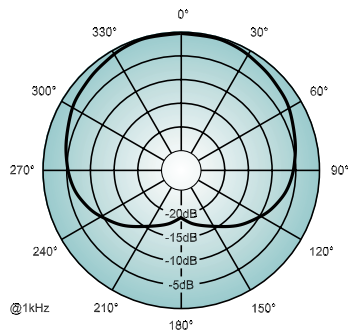
The same engineers that developed our award-winning, professional studio and tour-grade microphones now bring you the Cobalt™ Co11 handheld condenser – and at an affordable price. For all styles of vocals, regardless of musical genre, the Co11 brings you a clear, full sound with a cardioid response pattern for excellent feedback rejection.

We at EV, understand the rigors and abuse performing can bring – so, we've added features like a high-compliance shock mount, a dent-resistance Memraflex™ grill, and a multistage pop filter that eliminates handling and pop noises. Sound good? Damn straight.



Specifications

Element	Self-Biased Condenser
Frequency Response	50 Hz to 20 kHz
Polar Pattern	Cardioid
Impedance	250 Ohms
Sensitivity Open Circuit Voltage	4.0 mV/PA (-48 dBV) re 1 Pa* 1 Pa = 94 dB SPL
Microphone Connector	3-pin, XLR-type
Polarity	Pin 2 positive, referenced to pin 3 with positive pressure on diaphragm



For information call **1-800-667-3968**
www.electrovoice.com



12000 Portland Avenue South
Burnsville, MN 55337

© 2002 Telex Communications, Inc.