

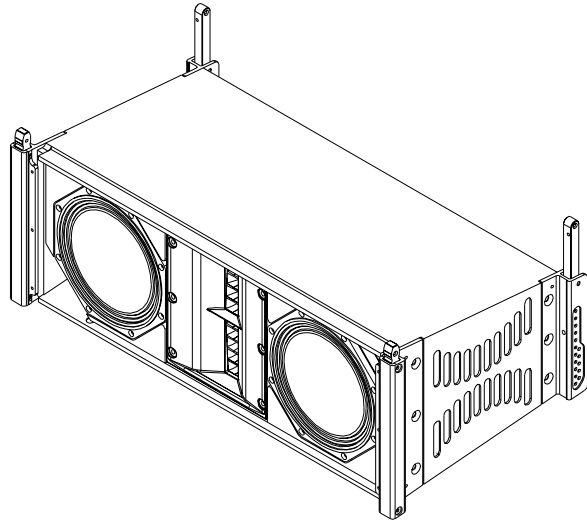


XLD281
3-Way, High-Output,
Very Compact
Line-Array Element



Key Features:

- **Very Compact, Lightweight**
- **CCT™ (Coverage Control Technology)**
- **Simple, Quick Integrated Rigging**
- **120° Horizontal Coverage to 250 Hz**
- **Versatile Subwoofer Integration**
- **Bi-Amp or Tri-Amp Operation**
- **Neodymium Transducers**
- **LAPS Aiming and Flying Software**



General Description:

EV engineers have defined a new group of Very Compact line array elements, XLVC. It is comprised of the models; XLD281 full range, XLE181 full range, and the XS212 sub woofer. The XLD281 is a 3-way design using CCT (Coverage Control Technology) to control horizontal coverage to 250 Hz. It uses a 8" neodymium LF transducer, a 8" neodymium LF/MB transducer, and two neodymium 2" voice coil compression drivers combining through 2 hydra plane wave generators into a 120° x 10° waveguide. CCT uses both 8" transducers to provide maximum low frequency output and operating bandwidth while controlling horizontal beam width to 250 Hz by using DSP. The XLD281 can be used in tri-amp mode, or in bi-amp using a sophisticated internal passive network. Designed for use in arrays of four or more elements the XLD281 delivers full bandwidth audio with precise, predictable coverage control. Integrated rigging with hinge points located correctly between array elements is simple to use and quickly provides uncompromised line array performance. Ground stacking is easily done using Array Rails or subwoofers as the array base.

Most applications using flown very compact elements require subwoofers integrated into the same array as the full range systems. XLVC provides two methods to conveniently do this. The XS212 sub woofer module has the same rigging foot print as the XLD281 allowing it to be directly arrayed above, or below XLD281 full range systems. Where vertical space is limited sub woofer arrays can be created and flown behind the XLD281 full range array using an additional grid and a Coupler Beam. LAPS modeling software quickly provides array configurations and rigging information.

XLVC delivers unprecedented performance in applications ranging from live reinforcement to performing arts venues, to houses of worship.

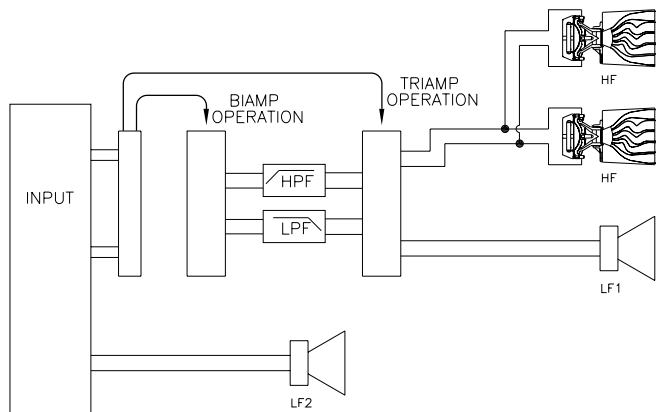
Technical Specifications:

Freq. Response ¹ (-3 dB):	75 Hz-18 kHz
Freq. Range ¹ (-10 dB):	60 Hz-20 kHz
Max Calculated SPL ¹ :	135 dB Cont., 141 dB Pk
Horizontal Coverage:	120°
Vertical Coverage:	Array Dependant, Software Definable
Rigging:	Fully Captive Aluminum, 1° increments, 16 elements with 8 to 1 Safety Factor
LF1 Power Handling:	200W Cont., 800W Peak
LF2 Power Handling:	200W Cont., 800W Peak
HF Power Handling:	80W Cont., 320W Peak
Biamp LF1/HF Power Handling:	400W Cont., 1600W Peak LF2 - 200W Cont., 800W Peak
Sensitivity ¹ :	112 dB
Bandpass Freq ² :	50 - 250 Hz
LF1 to HF Crossover Freq ² :	1600 Hz
LF1 Passband: Recommended Amplifier:	1 x 8" DVN2080, 16 ohms EV P3000S
LF2 Passband: Recommended Amplifier:	1 x 8" DVN2080, 16 ohms, EV CP3000S
HF Passband: Recommended Amplifier:	2 x ND2S, 16 ohms EV CP3000S
Biamp LF1/HF Passband: Recommended Amplifier:	16 ohms, EV CP3000S
Connectors:	2 x NL8
Enclosure Material:	Birch plywood w/Futura
Grille:	Zinc plated steel with powdercoat paint
Environmental Spec:	IEC 529 IP24, MIL 810
Dim (HxWxD):	9.90" x 28.58" x 14.52" (251 x 726 x 369 mm)
Net Weight:	48 lbs (21.8 kg)
Shipping Weight:	51 lbs (23.1 kg)

¹ Full Space Measurement of 4 Elements.

² Use EV or KT Signal Processing or Download Presets from Electro-Voice Website.

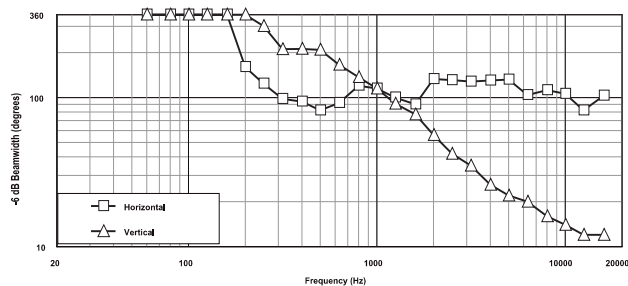
Block Diagram:



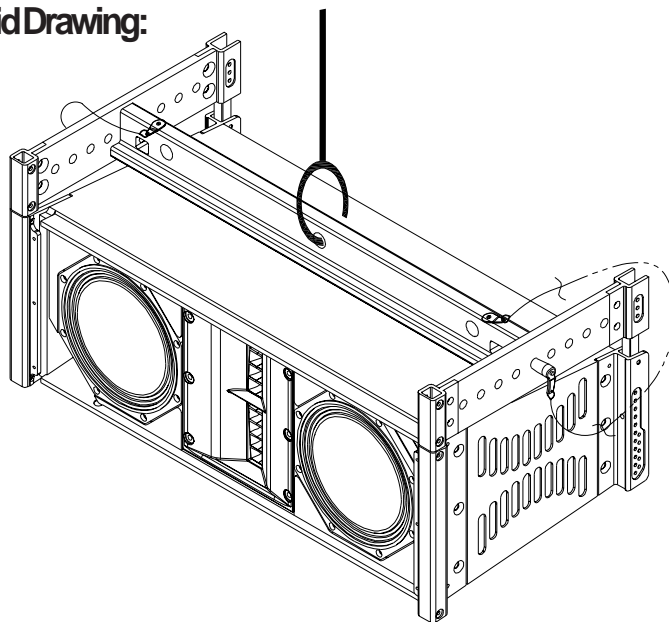
Connection Chart
(Pins 1 Pass Through)

Triamp	Biamp
LF2: Pins 2	LF2: Pins 2
LF1: Pins 3	LF/HF: Pins 3
HF: Pins 4	Pins 4 Pass Through

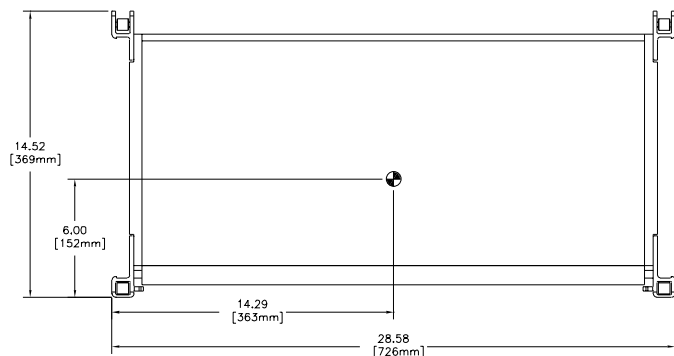
Beamwidth:



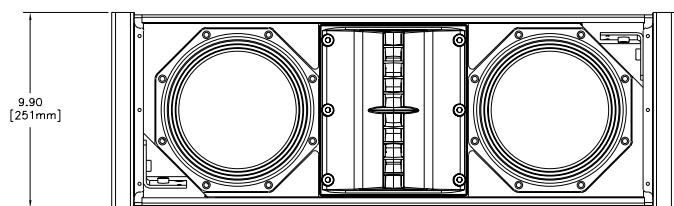
Grid Drawing:



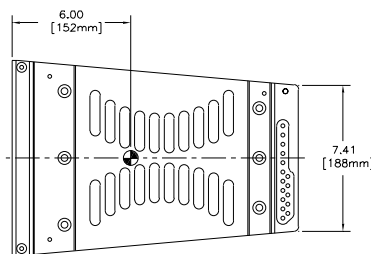
Dimension Drawings (inches/metric):



Top



Front



Side

Performance Match:

- XS212 - Dual 12" Side-Firing Line Array Bass Element
- CP3000S - Precision Series™ Power Amplifier
- P3000RL - Precision Series™ Remote Control Power Amplifier
- P1200RL - Precision Series™ Remote Control Power Amplifier
- Dx38 - Digital Sound System Controller
- DN9848 - Digital Sound Controller
- XLD-Dolly - 4-Tall Bottom Dolly for Rigging and Transporting
- XLVC Series Grid - Grid for Hanging XLVC Line-Arrays

XLD281 Part Number:

- XLD281 - 301789-001



12000 Portland Avenue South, Burnsville, MN 55337
Phone: 952/884-4051, Fax: 952/884-0043

www.electrovoice.com

© Telex Communications, Inc. 1/2005

Part Number 38110-430 Rev 1

U.S.A. and Canada only. For customer orders, contact Customer Service at:

800/392-3497 Fax: 800/955-6831

Europe, Africa, and Middle East only. For customer orders, contact Customer Service at:

+ 49 9421-706 0 Fax: + 49 9421-706 265

Other International locations. For customer orders, contact Customer Service at:

+ 1 952 884-4051 Fax: + 1 952 736-4212

For warranty repair or service information, contact the Service Repair department at:

800/685-2606

For technical assistance, contact Technical Support at: 866/78AUDIO

Specifications subject to change without notice.