



**Electro-Voice**  
a MARK IV company

**Commercial  
Microphones**

**US694**

**DYNAMIC CARDIOID  
MICROPHONE**

**SPECIFICATIONS**

**Element:**

Dynamic

**Frequency Response (see Figure 1),**

**Close Response:**

25-15,000 Hz

**Far Response:**

70-15,000 Hz

**Polar Pattern (see Figure 2):**

Cardioid

**Open-Circuit Voltage:**

2.37 mV/pascal at 1,000 Hz

**Sensitivity:**

-53 dB (0 dB = 1 mW/pascal) at 1,000 Hz

**Impedance:**

300 ohms, balanced (Low-Z)

**Color:**

Non-reflective black

**Dimensions,**

**Maximum Diameter:**

51.1 mm (2.01 in.)

**Length:**

166.6 mm (6.56 in.)

**Net Weight:**

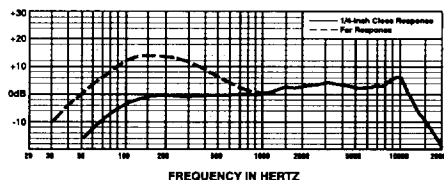
264 g (9.31 oz)

**Shipping Weight:**

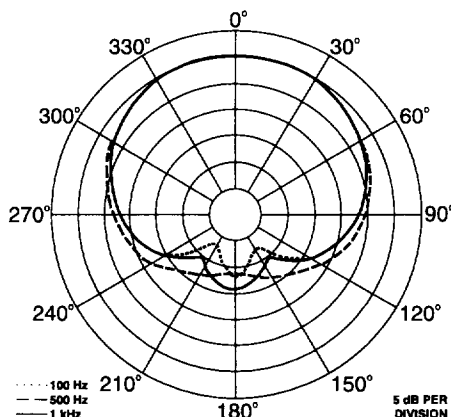
493.6 g (17.41 oz)

**Accessories Included:**

Stand clamp; 6 m (19.7 ft) two-conductor, shielded broadcast-type cable with XLR-F-type connector at microphone end, XLR-M-type connector at equipment end



**FIGURE 1  
Frequency Response**



**FIGURE 2  
Polar Response**

**DESCRIPTION**

The Electro-Voice US694 is a Single-D cardioid dynamic microphone utilizing a revolutionary neodymium alloy magnet with four times the power of conventional microphone magnets. The exceptional power sensitivity combined with a smooth frequency response ensures a superior signal-to-noise ratio and performance suitable for recording. This microphone is also recommended for use in general sound applications, including handheld or public address. The US694 uses the broadcast standard three-pin XLR-type connector, with pin 2 positive.

The directional polar characteristic resists feedback when working close to the sound reinforcement speakers. A built-in Acoustifoam™ pop filter enables close talking while virtually eliminating excessive breath blasts.

The US694 is equipped with an on/off switch that shorts the microphone element when set to "off" position, permitting the user to have local muting control.

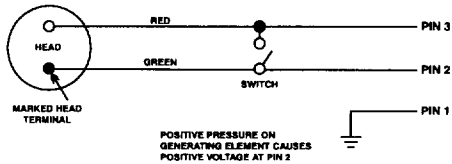
The US694 features a rugged dynamic element that will provide years of reliable operation even in humidity and temperature extremes. The dynamic element is attached to an elastomeric shock mount which reduces mechanical noise produced by handling or stand-induced vibration.

**ARCHITECTS' AND ENGINEERS' SPECIFICATIONS**

The microphone shall be a cardioid dynamic type with "on/off" switch and uniform close field frequency response of 25 to 15,000 Hz. The microphone output shall be balanced, and the output level shall be -53 dB/Pa measured at 1,000 Hz for a 300-ohm load.

The case shall be cast zinc and the pop screen shall be steel mesh. Dimensions shall be 51.1 mm (2.01 in.) major diameter and 166.6 mm (6.56 in.) in length. The finish shall be non-reflective black.

The Electro-Voice model US694 is specified.



**FIGURE 3**  
Wiring Diagram

**WARRANTY (LIMITED) —**

Electro-Voice Commercial Microphones are guaranteed for two years from date of original purchase against malfunction due to defects in workmanship and materials. If such malfunction occurs, unit will be repaired or replaced (at our option) without charge for materials or labor if delivered prepaid to Electro-Voice. Unit will be returned prepaid. Warranty does not extend to finish, appearance items, cables, cable connectors, switches, or malfunction due to abuse or operation under other than specified conditions, nor does it extend to incidental or consequential damages. Some states do not allow the exclusion or limitation of incidental or consequential damages, so the above exclusion may not apply to you. Repair by other than Electro-Voice will void this guarantee. This warranty gives you specific legal rights, and you may also have other rights which vary from state to state.

For warranty repair and service information on Electro-Voice commercial microphone products, contact: Electro-Voice, Inc., 10500 West Reno, Oklahoma City, Oklahoma 73128 (405/324-5311 or 800/444-9516); Attention: Customer Service Department.

For technical assistance, contact the Technical Services Representative at Electro-Voice, Inc.

Specifications subject to change without notice.