



Electro-Voice
a MARK IV company

**Commercial
Microphones**

US692

DYNAMIC CARDIOID MICROPHONE

SPECIFICATIONS

Element:

Dynamic

Frequency Response (see Figure 1),

Close Response:

30-15,000 Hz

Far Response:

100-15,000 Hz

Polar Pattern (see Figure 2):

Cardioid

Open Circuit Voltage:

2.15 mV/pascal at 1,000 Hz

Sensitivity:

-56 dB (0 dB = 1 mW/pascal) at 1,000 Hz

Impedance:

600 ohms, balanced (Low-Z)

Switch:

On/Off (non-locking)

Color:

Non-reflective black

Dimensions,

Maximum Diameter:

51.1 mm (2.01 in.)

Length:

169.6 mm (6.67 in.)

Net Weight:

277.1 g (9.77 oz)

Shipping Weight:

506.6 g (17.87 oz)

Accessories Included:

Stand clamp

20 ft cable with XLR connectors

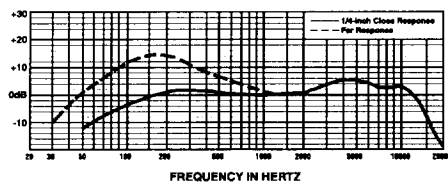


FIGURE 1
Frequency Response

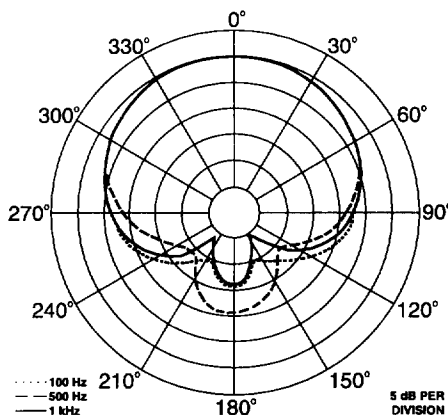


FIGURE 2
Polar Response

DESCRIPTION

The Electro-Voice US692 features high output level while providing a smooth frequency response and good gain-before-feedback characteristics in an economical design. This microphone is suitable for use in general purpose sound applications, including handheld or public address. The US692 uses the broadcast standard three-pin XLR-type connector, with pin 2 positive.

The directional polar characteristic resists feedback when working close to sound reinforcement speakers. A built-in Acoustifoam™ pop filter enables close talking while virtually eliminating excessive breath blasts.

The US692 is equipped with an on/off switch that shorts the microphone element when set to "off" position, permitting the user to have local muting control.

The US692 features a rugged dynamic element that will provide years of reliable operation even in humidity and temperature extremes. The dynamic element is enclosed in a rubber mounting to reduce handling and mechanical noise.

ARCHITECTS' AND ENGINEERS' SPECIFICATIONS

The microphone shall be a cardioid dynamic type with "on/off" switch and uniform frequency response from 30 to 15,000 Hz. The microphone output shall be balanced and the output level shall be -56 dB/Pa measured at 1,000 Hz.

The case shall be cast zinc and the pop screen shall be steel mesh. Dimensions shall be 51.1 mm (2.01 in.) major diameter and 169.6 mm (6.67 in.) in length. The finish shall be non-reflective black.

The Electro-Voice US692 is specified.

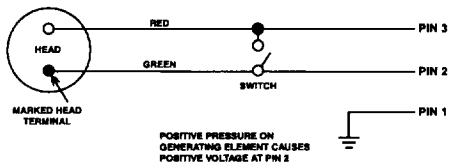


FIGURE 3
Wiring Diagram

WARRANTY (LIMITED) —

Electro-Voice Commercial Microphones are guaranteed for two years from date of original purchase against malfunction due to defects in workmanship and materials. If such malfunction occurs, unit will be repaired or replaced (at our option) without charge for materials or labor if delivered prepaid to Electro-Voice. Unit will be returned prepaid. Warranty does not extend to finish, appearance items, cables, cable connectors, switches, or malfunction due to abuse or operation under other than specified conditions, nor does it extend to incidental or consequential damages. Some states do not allow the exclusion or limitation of incidental or consequential damages, so the above exclusion may not apply to you. Repair by other than Electro-Voice will void this guarantee. This warranty gives you specific legal rights, and you may also have other rights which vary from state to state.

For warranty repair and service information on Electro-Voice commercial microphone products, contact: Electro-Voice, Inc., 10500 West Reno, Oklahoma City, Oklahoma 73128 (405/324-5311 or 800/444-9516); Attention: Customer Service Department.

For technical assistance, contact the Technical Services Representative at Electro-Voice, Inc.

Specifications subject to change without notice.