



Electro-Voice
a MARK IV company

**Commercial
Microphones**

US649B

DYNAMIC LAVALIER MICROPHONE

SPECIFICATIONS

Element:

Dynamic

Frequency Response (see Figure 1):

80 to 10,000 Hz

Polar Pattern (see Figure 2):

Omnidirectional

Impedance:

150 ohms (Low-Z)

Output Level:

-61 dB

(0 dB = 1 mW/10 dynes/cm²)

Finish:

Nonreflecting blue/black

Cable:

9.1 m (30 ft) two-conductor, shielded,
black synthetic rubber-jacketed cable

Accessories:

Neck cord assembly

Belt clip

Dimensions,

Length:

57.2 mm (2.25 in.)

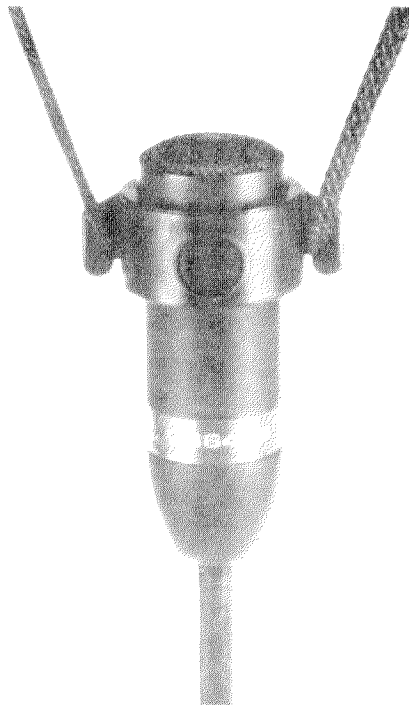
Maximum Diameter:

19.0 mm (0.75 in.)

Net Weight:

31.0 g (1.1 oz)

less cable and neck cord assembly



DESCRIPTION

The US649B lavalier microphone is a small, lightweight, dynamic microphone. The microphone can be used handheld or, when hands-free movement is desired, it can be mounted on a stand or hung on the neckcord.

Included accessories are the lavalier cord assembly and belt clip. To attach the cord assembly to the microphone, press the plastic adapter onto the front of the microphone. Alternately, for semipermanent installation, the plastic adapter may be slid up the cable onto the microphone. Please note that the small flange of the plastic adapter must be positioned properly to hold the microphone.

The belt clip allows the user to position the cable neatly, and it also prevents unwanted mechanical noise from being transmitted up the cable to the microphone.

After inserting the cable into the clip (see Figure 3), simply attach it to the belt at one side. It may also be clipped onto the edge of a jacket.

The microphone wiring diagram is shown in Figure 4.

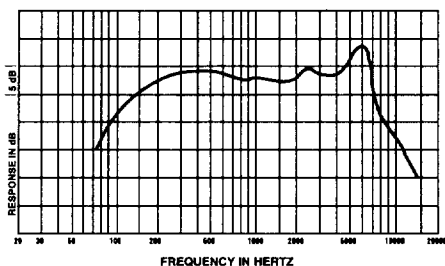


FIGURE 1
Frequency Response

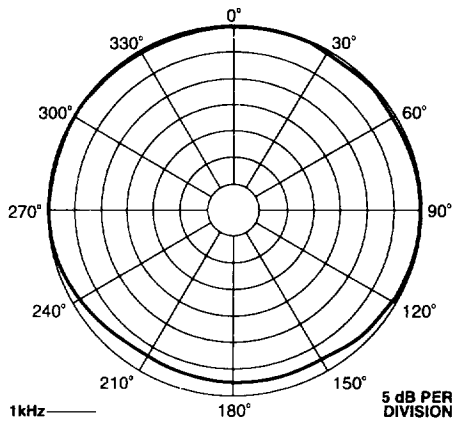


FIGURE 2
Polar Response at 1,000 Hz

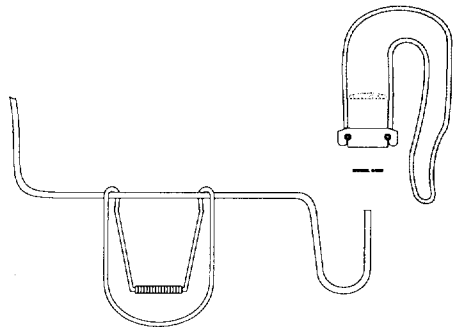


FIGURE 3
Dimensions

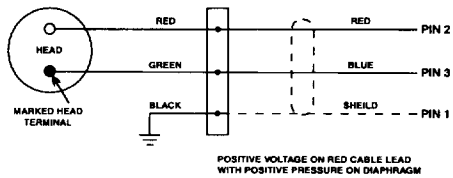


FIGURE 4
Wiring Diagram

OMNIDIRECTIONAL MICROPHONE ADVANTAGES

The US649B's omnidirectional polar pattern brings significant advantages in certain situations. Although directional microphones are often chosen to avoid problems with feedback, in many systems where loudspeakers are located 20 to 40 feet away from the microphone, a directional microphone will show only negligible advantages with respect to feedback over an omnidirectional microphone. This is especially true where extremely close working distances are employed, say one-eighth to six inches, the distance at which the US649B would typically be used. In addition, the omnidirectional character of the US649B will result in a smoother frequency response than you would find in a similarly priced unidirectional—an important consideration, since any roughness invites feedback. The US649B is also significantly less susceptible to p-popping and mechanical shock, and generally more rugged and roadworthy than its unidirectional counterpart.

WARRANTY (LIMITED) —

Electro-Voice Commercial Microphones are guaranteed for two years from date of original purchase against malfunction due to defects in workmanship and materials. If such malfunction occurs, unit will be repaired or replaced (at our option) without charge for materials or labor if delivered prepaid to Electro-Voice. Unit will be returned prepaid. Warranty does not extend to finish, appearance items, cables, cable connectors, switches, or malfunction due to abuse or operation under other than specified conditions, nor does it extend to incidental or consequential damages. Some states do not allow the exclusion or limitation of incidental or consequential damages, so the above exclusion may not apply to you. Repair by other than Electro-Voice will void this guarantee. This warranty gives you specific legal rights, and you may also have other rights which vary from state to state.

For warranty repair, service information or a listing of the repair facilities nearest you, contact the service repair department at: 405/324-5311 or 800/444-9516.

For technical assistance, call: 800/234-6831.

Specifications subject to change without notice.

