



**Electro-Voice**  
a MARK IV company

**Commercial  
Microphones**

# US607L

## NOISE-CANCELLING, STUD-MOUNTED DYNAMIC MICROPHONE

### SPECIFICATIONS

**Element:**

Dynamic

**Frequency Response:**

300-3,800 Hz (see Figure 1)

**Polar Pattern:**

Noise-cancelling, pressure gradient  
(see Figure 2)

**Impedance:**

150 ohms

**Output Level, 150 Ohms:**

-57 db

(0 dB = 1 mW/10 dynes/cm<sup>2</sup>)

**Case Material:**

Polycarbonate

**Finish:**

Non-reflecting blue/black

**Net Weight:**

340 g (12 oz)

**Dimensions,**

**Width:**

44.5 mm (1.75 in.)

**Diameter:**

82.6 mm (3.25 in.)

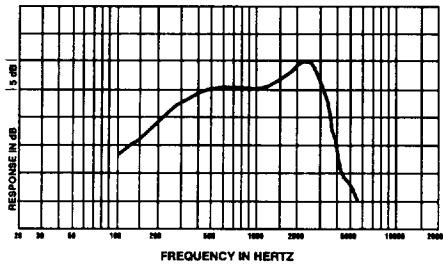
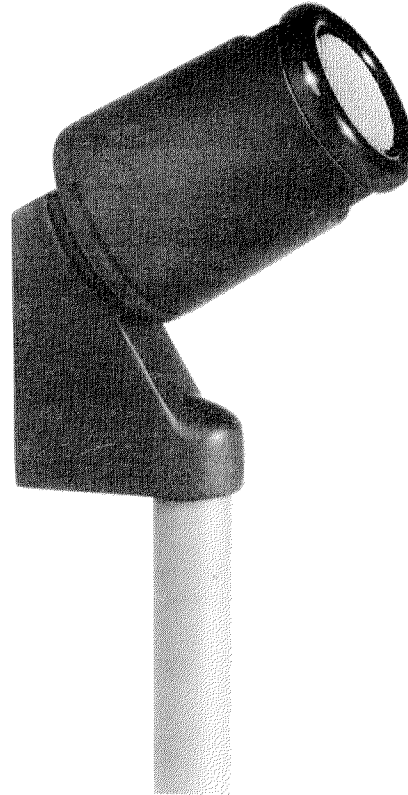
104.8 mm (4.12 in.), including stud

**Cable Connector:**

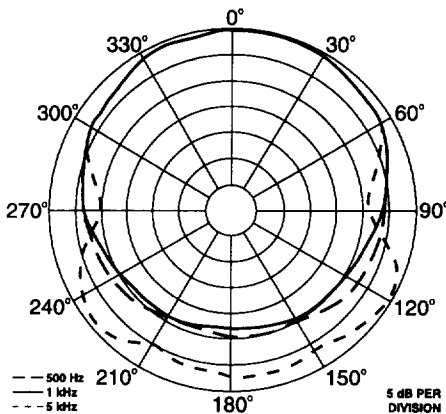
XLR-type

**Stand Coupler:**

5/8" —27 thread



**FIGURE 1**  
Typical Frequency Response



**FIGURE 2**  
Polar Response

### DESCRIPTION

The Electro-Voice Model US607L is a stud-mounted noise-cancelling microphone. This close talking, compact, sturdy microphone has a frequency response designed to insure excellent intelligibility. The case form factor offers a pleasing appearance while maintaining simplicity and minimum weight. It is especially designed for use where background noise is at a high level or for elimination of feedback under difficult acoustical conditions.

The US607L allows the user to speak closely into the microphone in a normal voice, while effectively cancelling distant noise. This is ideal for public address work, all types of dispatching and call systems, and paging systems. Rugged construction permits indoor and outdoor use without damage due to hard usage, temperature, or humidity.

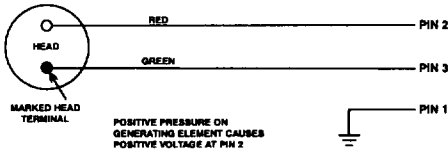
### ARCHITECTS' AND ENGINEERS' SPECIFICATIONS

The microphone shall be a noise-cancelling dynamic type with rising frequency response from 300-3,800 Hz. The microphone shall have an impedance of 150 ohms balanced to ground.

The case shall be of Polycarbonate with non-reflective blue/black finish. The microphone shall have a maximum net weight of not more than 340 g (12 oz.) less cable. The microphone shall have an XLR-type connector. The microphone shall include a stand coupler with a 5/8-inch -27 thread on the stud and the thread shall be tilted at a fixed angle of 30°.

The output level shall be -57 dB with 0 dB equalling 1 mW/10 dynes/cm<sup>2</sup>. The magnetic circuit shall be nonwelded and shall employ Alnico V and magnetic iron.

The Electro-Voice Model US670L is specified.



**FIGURE 3**  
**Wiring Diagram**  
**US607L**

**WARRANTY (LIMITED) —**

Electro-Voice Commercial Microphones are guaranteed for two years from date of original purchase against malfunction due to defects in workmanship and materials. If such malfunction occurs, unit will be repaired or replaced (at our option) without charge for materials or labor if delivered prepaid to Electro-Voice. Unit will be returned prepaid. Warranty does not extend to finish, appearance items, cables, cable connectors, switches, or malfunction due to abuse or operation under other than specified conditions, nor does it extend to incidental or consequential damages. Some states do not allow the exclusion or limitation of incidental or consequential damages, so the above exclusion may not apply to you. Repair by other than Electro-Voice will void this guarantee. This warranty gives you specific legal rights, and you may also have other rights which vary from state to state.

**For warranty repair and service information on Electro-Voice products,** contact: Electro-Voice, Inc., 10500 West Reno, Oklahoma City, Oklahoma 73128 (405/324-5311 or 800/444-9516); Attention: Customer Service Department.

**For technical assistance,** contact the Technical Services Representative at Electro-Voice, Inc.

**Repair locations:**

Electro-Voice, Inc., 600 Cecil Street, Buchanan, MI 49107; Attention: Service Department.

Specifications subject to change without notice.