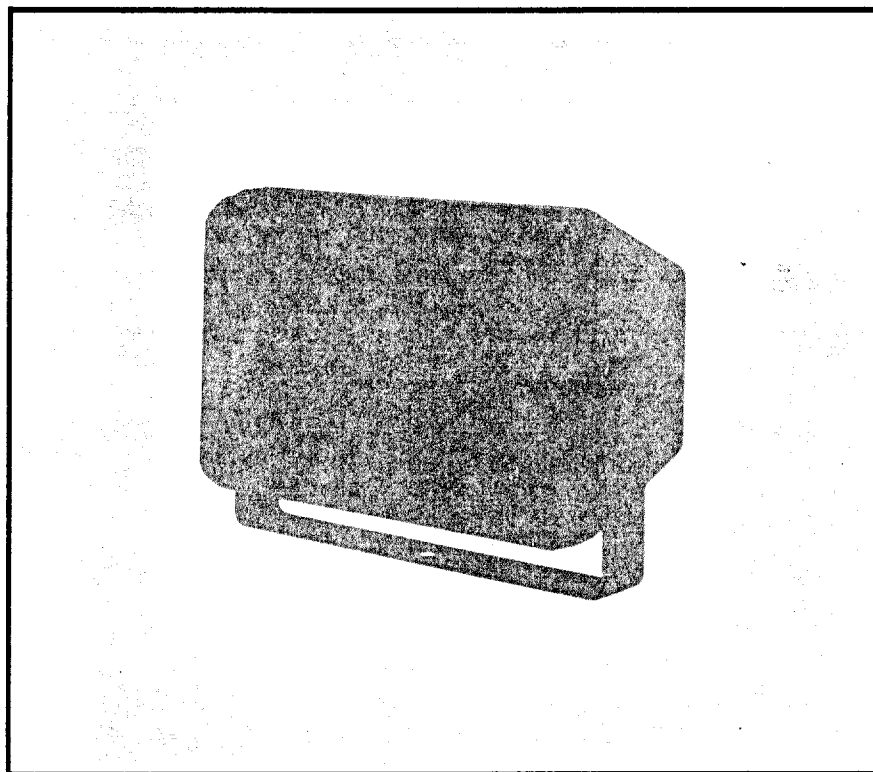


WALL MOUNTING INSTRUCTIONS

1. Refer to Figure 1 for the following steps.
2. Remove the paper backing from one of the Friction Pads (C) and attach to the U-Bracket (A) as shown. Be sure the two 1/4-inch holes are aligned. Attach the second Friction Pad in a similar manner.
3. Attach the U-Bracket to the wall using fasteners that are suitable for the wall material (not supplied).
4. Remove the two plastic hole plugs from each end of the S-100 or S-100T speaker by gently prying with a small screwdriver.
5. Place a Nylon Washer (D) on the threaded stud of each of the Torque Knobs (B).
6. Mount the S-100 or S-100T speaker to the U-Bracket using the Torque Knobs and Nylon Washers. Do not tighten.
7. Rotate the speaker so that the input panel is accessible and attach the wires to the input panel. Position the speaker for the desired coverage and gently tighten the Torque Knobs.



MICROPHONE STAND MOUNTING INSTRUCTIONS

1. Refer to Figure 2 for the following steps.
2. Remove the paper backing from one of the Friction Pads (C) and attach to the U-Bracket (A) as shown. Be sure the two 1/4-inch holes are aligned. Attach the second Friction Pad in a similar manner.
3. Screw the U-Bracket assembly onto the mic stand using the threaded middle hole on the U-Bracket.
4. Remove the two plastic hole plugs from each end of the S-100 speaker by gently prying with a small screwdriver.
5. Place a Nylon Washer (D) on the threaded stud of each of the Torque Knobs (B).
6. Mount the S-100 speaker to the U-Bracket using the Torque Knobs and Nylon Washers. Do not tighten.
7. Rotate the speaker so that the input panel is accessible and attach the wires to the input panel. Position the speaker for the desired coverage and gently tighten the Torque Knobs.

S-100MB Mounting Bracket Kit

Item	Quantity	Description
A	2	U-Bracket
B	4	Torque Knob
C	4	Friction Pad
D	4	Nylon Washer

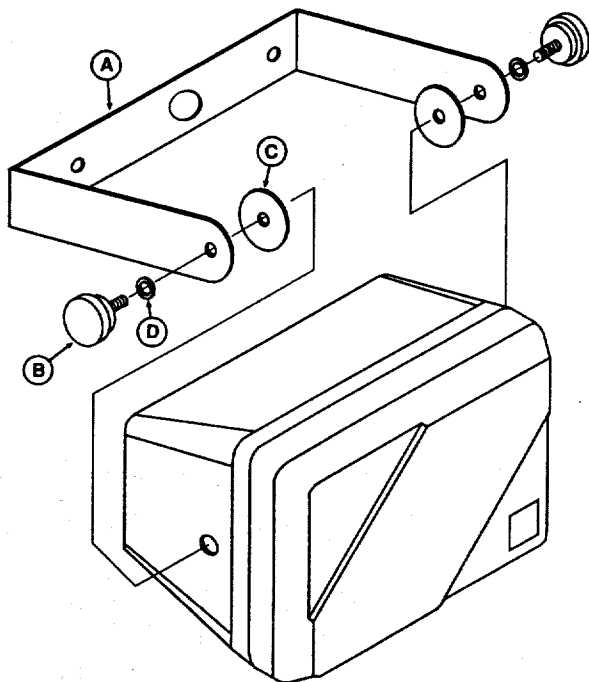


FIGURE 1
Wall Mounting

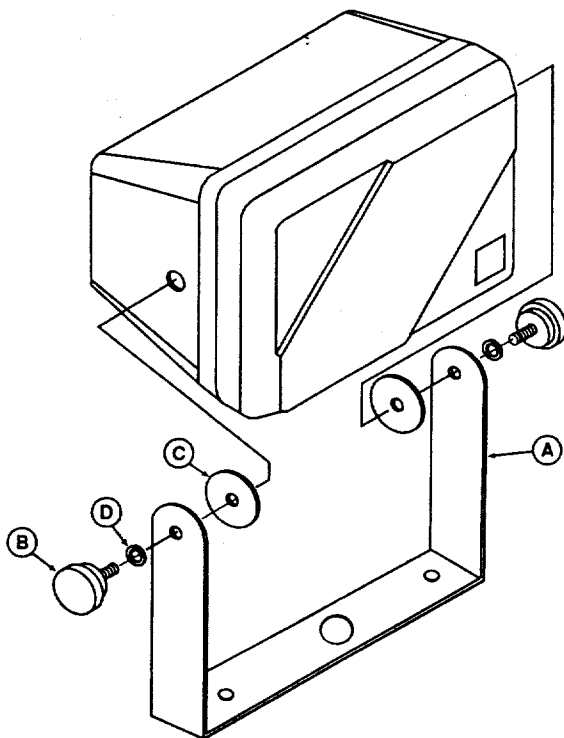


FIGURE 2
Stand Mounting

Warranty (Limited) — University Sound products are guaranteed against malfunction due to defects in materials or workmanship for a specified period, as noted in the individual product-line statement(s) below, or in the individual product data sheet or owner's manual, beginning with the date of original purchase. If such malfunction occurs during the specified period, the product will be repaired or replaced (at our option) without charge. The product will be returned to the customer prepaid. **Exclusions and Limitations:** The Limited Warranty does not apply to: (a) exterior finish or appearance; (b) certain specific items described in the individual product-line statement(s) below, or in the individual product data sheet or owner's manual; (c) malfunction resulting from use or operation of the product other than as specified in the product data sheet or owner's manual; (d) malfunction resulting from misuse or abuse of the product; or (e) malfunction occurring at any time after repairs have been made to the product by anyone other than University Sound or any of its authorized service representatives. **Obtaining Warranty Service:** To obtain warranty service, a customer must deliver the product, prepaid, to University Sound or any of its authorized service representatives together with proof of purchase of the product in the form of a bill of sale or receipted invoice. A list of authorized service representatives is available from University Sound, 13278 Ralston Avenue, Sylmar, CA 91342, (818/362-9516). **Incidental and Consequential Damages Excluded:** Product repair or replacement and return to the customer are only remedies provided to the customer. University Sound shall not be liable for any incidental or consequential damages including, without limitation, injury to persons or property or loss of use. Some states do not allow the exclusion or limitation of incidental or consequential damages so the above limitation or exclusion may not apply to you. **Other Rights:** This warranty gives you specific legal rights, and you may also have other rights which vary from state to state.

University Sound Accessories are guaranteed against malfunction due to defects in materials or workmanship for a period of one (1) year from the date of original purchase. Additional details are included in the Uniform Limited Warranty statement.

Service and Repair address for this product:
University Sound, 13278 Ralston Avenue,
Sylmar, CA 91342.

Specifications subject to change without notice.