


**University  
Sound  
Inc.**

**Model 428**  
Touch-To-Talk  
Microphone Stand

**SPECIFICATIONS**

**Material:**

Die-cast zinc and plastic

**Finish:**

Non-reflecting gray

**Dimensions:**

177.8 mm (7.0 in.) high,

130.2 mm (5.13 in.) base diameter

**Weight:**

0.8 kg (1.75 lbs)

**DESCRIPTION**

The Electro-Voice Model 428 microphone stand fits any standard microphone mount having 5/8" -27 threads. The switch, a double-pole, double-throw blade type, is actuated by a lever. A locking button permits steady operation over long time intervals

without steady thumb pressure. Switch terminals are made accessible for soldering by removing the protective aluminum shield. The stand is finished in non-reflecting gray, and the lever, of durable high-impact plastic, is also gray.

**WIRING**

The switching of the Model 428 provides for control of the microphone circuit itself, as well as for external relay-operated equipment. A typical arrangement is shown in Figure 2.

The microphone is normally shorted when wired as shown in Figure 2. When the switch is depressed, contacts are opened to permit operation of the microphone. When multiple microphones are used with the same

amplifier input, the shorting connections on one microphone will short the others, as well. The switch should, therefore, be wired so that the contacts complete the microphone circuit instead of breaking the ground connection.

The other contacts actuate external relay equipment when the switch is depressed. Both make and break contacts are available. If the switch is used to break into an inductive circuit carrying substantial power, care should be taken to bypass the circuit at its source to prevent arcing.

Specifications subject to change without notice.

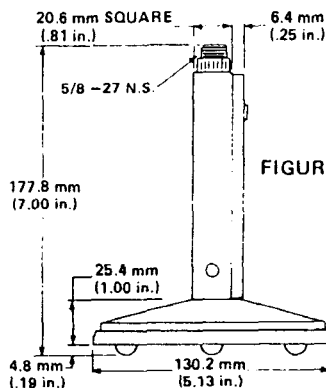


FIGURE 1 - Dimensions

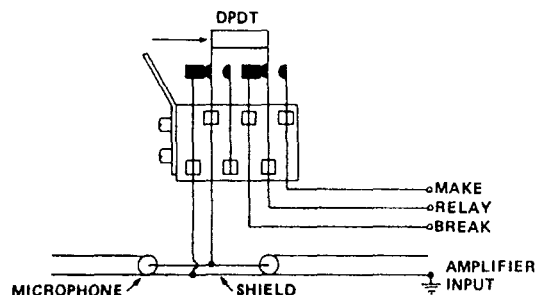


FIGURE 2 - Wiring Diagram

**MANUFACTURED IN THE U.S.A.**



**University  
Sound Inc.**  
a MARK IV company  
COMMERCIAL  
SOUND

13278 Ralston Avenue  
Sylmar, CA 91342-7607  
FAX (818) 362-3463