

KEY FEATURES

- Dual direct-radiating EVX180B's provide 1200-watt long-term power-handling
- Enclosure constructed of 13-Ply void-free Birch

QRx-218S

Dual 18-inch Subwoofer Loudspeaker System



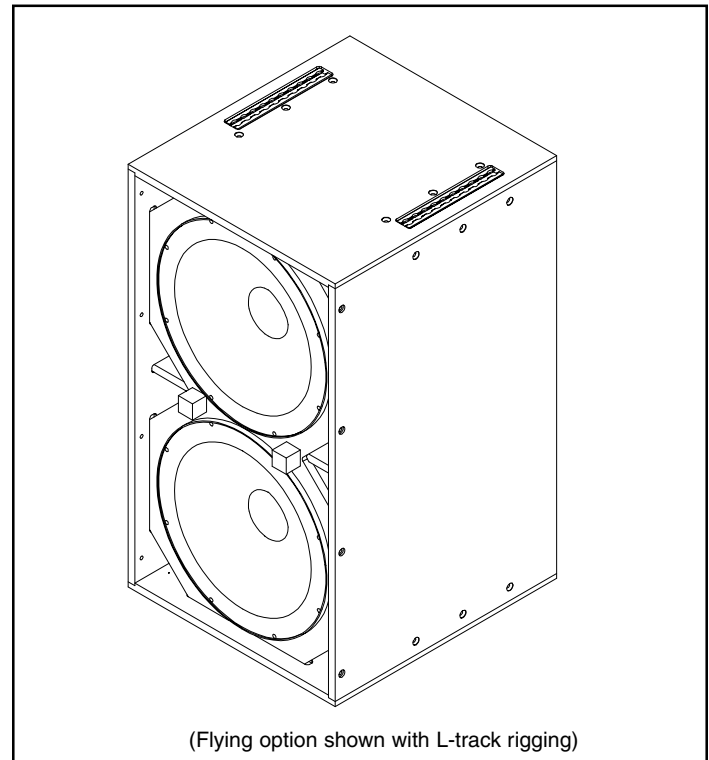
General Product Description

The QRx-218s is a dedicated subwoofer loudspeaker system that features two EVX-180B 4-inch voice coil drivers for maximum LF power with minimum box volume. This vented 1200-watt system easily provides 133 dB SPL 1 w/1 m (139 dB peaks 1 w/1 m) at full power in a rectangular enclosure that is stable and readily stacks for extra LF energy or slides easily under even the lowest stages. The QRx-218s cabinet has recessed side safety handles for easy transport and includes a 1-3/8-inch pole mount receptacle for use with full-range cabinets, eliminating the need for extra mounting stands. The rear of the cabinet includes four 5/16-18 threaded T-nuts for affixing casters or dollies.

Architects' and Engineers' Specifications

The dedicated subwoofer loudspeaker system shall incorporate two direct radiating 18-inch transducers with cast aluminum baskets in a vented enclosure tuned for optimum low frequency extension. The input panel shall have two paralleled NL4 connectors. A recessed switch shall be incorporated into the input panel allowing the sub to be externally switched between a single 4 ohm load utilizing pins 1+/- or two 8 ohm loads using pins 1+/- and 2+/- without removing any cabinet components or panels.

Usable system frequency response shall be 35 Hz to 400 Hz measured on axis. The loudspeaker shall be capable of producing a sound pressure level (SPL) of 102 dB on axis at 1 meter with power input of 1 watt. It shall be capable of sustaining a full-space, full power, long-term average output of 130 dB on axis at 1 meter with instantaneous peaks of 136 dB (133/139 dB half-space, full power, LTA peak). The subwoofer shall handle 1200 watts of amplified power long-term in compliance with AEA-EIA standards when operated in 4 ohm mode (power handling shall sustain two 600 watt inputs when operated in 8 ohm mode.)



The loudspeaker enclosure shall be constructed of 13-ply void-free cross-grain-laminated Birch plywood. It shall be finished in black or white acrylic paint or available unfinished. It shall be of a rectangular shape with flat sides for stacking. Handles shall be recessed within the sides of the enclosure and of such design to allow safe handling from any direction. There shall be a 1-3/8 diameter pole mounting socket located on the top of the cabinet. There shall be an available option for the top and bottom of the enclosure to have L-track rigging installed along with a rear pull-up point. Three single studded anca fittings rated for overhead use shall be included with the flying option. Fittings shall include a tethered safety pin to ensure proper installation.

The subwoofer loudspeaker system shall be the Electro-Voice® model QRx-218S.

Speaker Description:

Part Number 301117-001
LF Section & Components (2) EVX-180B 18-inch woofer in vented enclosure
HF Section & Components N/A
System Configuration Subwoofer
Powering Configuration Active crossover
Recommended Active High-pass Frequency (12 dB/octave min.) 35 Hz
Recommended Active Crossover Frequency (24 dB/octave min.) 100 Hz

Cabinet Type (shape) Rectangular
Enclosure Materials 13-ply birch plywood
Finish Black acrylic textured paint
Connectors Two Neutrik® NL4
Suspension Hardware None
Grille Powder-coated perforated 16-GA steel
Options:
WHI white textured paint
UN unfinished
Accessories N/A

Speaker Characteristics:

Frequency Response

-3 dB 46 Hz
 -10 dB 36 Hz

Axial Sensitivity

SPL, 1 watt @ 1 m, Half-space 102 dB
 SPL, 1 watt @ 1 m, Full-space 99 dB

Impedance 4/8 ohms

Power Handling

Long-term EIA 1200 watts
 Short-term peak 4800 watts

Calculated Maximum Output SPL

Long-term 133 dB
 Peak 139 dB

Nominal Coverage Angle

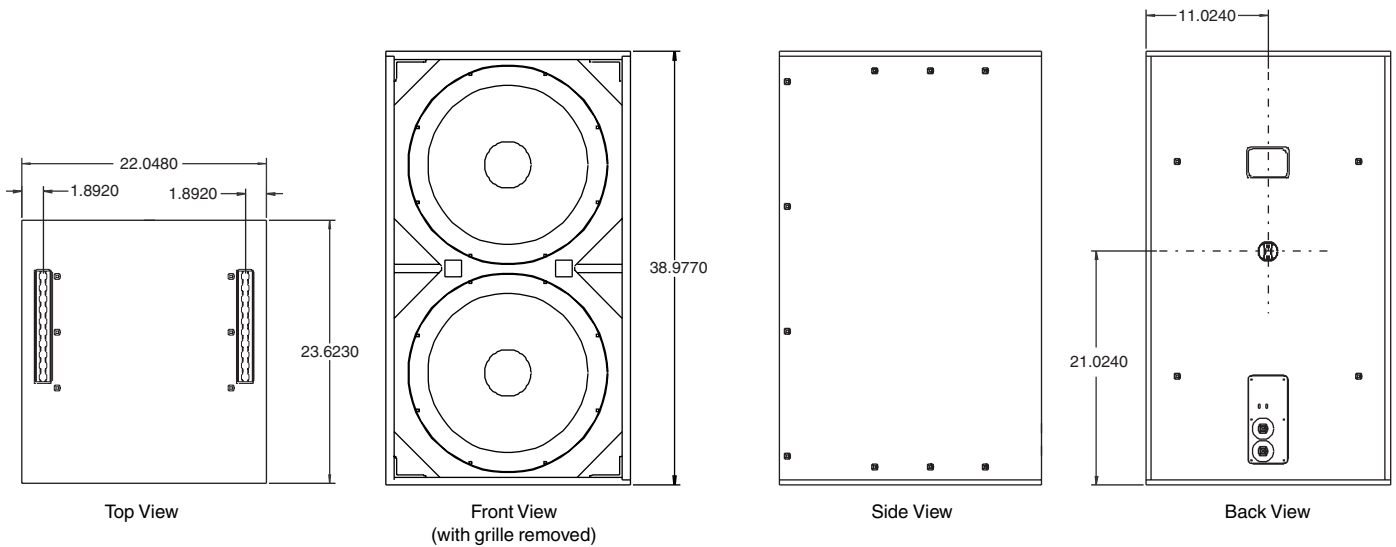
Horizontal (-6 dB) 360°
 Vertical (-6 dB) +310°

Dimensions

Height 39.98 in. (1015.5 mm)
 Width at front 22.05 in. (560.1 mm)
 Width at back 22.05 in. (560.1 mm)
 Depth 23.60 in. (599.4 mm)

Weights

Net weight 150 lb (68 kg.)
 Shipping weight 160 lb (73 kg.)



Dimensions

USA 12000 Portland Ave South, Burnsville, MN 55337, Phone: 952-884-4051, Fax: 952-884-0043
Canada 705 Progress Avenue, Unit 46, Scarborough, Ontario, Canada, M1H2X1, Phone: 416-431-4975, 800-881-1685, Fax: 416-431-4588
Germany Hirschberger Ring 45, D94315, Straubing, Germany, Phone: +49 9421-706 0, Fax: +49 9421-706 287
France Parc de Courcerin, Allée Lech Walesa, Lognes, 77185 Marne la Vallée, France, Phone: +33 1 6480-0090, Fax: +33 1 6480-4538
Australia Unit 23, Block C, Slough Business Park, Slough Avenue, Silverwater, N.S.W. 2128, Australia, Phone: +61 2-9648-3455, Fax: +61 2-9648-5585
Hong Kong Unit E & F, 21/F, Luk Hop Industrial Bldg., 8 Luk Hop St., San PO Kong, Kowloon, Hong Kong, Phone: +852-2351-3628, Fax: +852-2351-3329
Japan 5-3-8 Funabashi, Setagaya-ku, Tokyo, 156-0055 Japan, Phone: +81 3-5316-5020, Fax: +81 3-5316-5031
Singapore 3015A Ubi Rd 1, 05-10, Kampong Ubi Industrial Estate, Singapore 408705, Phone: +65-746-8760, Fax: +65-746-1206
Mexico Av. Parque Chapultepec #66-201, Col. El Parque Edo. De Mexico 53390, Mexico, Phone: +52 5358-5434, Fax: +52 5358-5588
UK 4, The Willows Centre, Willow Lane, Mitcham, Surrey CR4 4NX, UK, Phone: +44 181 640 9600, Fax: +44 181 646 7084
Africa/Mid-East Hirschberger Ring 45, D94315, Straubing, Germany, Phone: +49 9421-706 0, Fax: 49 9421-706 287
Latin America 12000 Portland Ave South, Burnsville, MN 55337, Phone: 952-887-7491, Fax: 952-887-9212



Electro-Voice®

U.S.A. and Canada only.
 For customer orders, contact the Customer Service department at
 800/392-3497 Fax: 800/955-6831
 For warranty repair or service information, contact the Service
 Repair department at 800/685-2606
 For technical assistance, contact Technical Support at 866/78AUDIO
 Please refer to the Engineering Data Sheet for warranty information.
 Specifications subject to change without notice.

www.electrovoice.com • Telex Communications, Inc. • www.telex.com

© Telex Communications, Inc. 07/2001
 Part Number 38109-905 Rev A