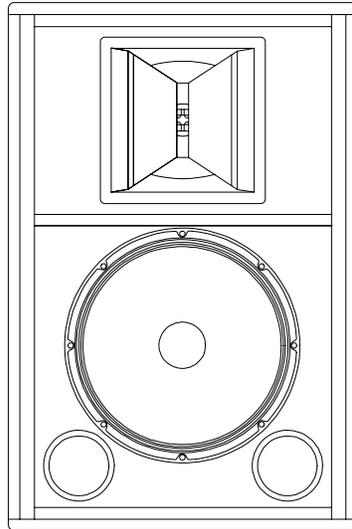


PIM-152

(standard configuration)

15-Inch Two-Way System for Permanent Installation, Horn-loaded HF



- Part of PI Matrix Series™—compact trapezoidal systems for permanent installation
- Components and physical characteristics optional, to meet many acoustic, architectural and mechanical requirements
- 45-Hz low end for music applications
- Three HF coverages—60° x 40° (standard), 60° x 60° or 90° x 40°
- PRO™ circuit HF protection
- For biamplification (standard); passive network optional
- Integral suspension system for safe and easy installation

SPECIFICATIONS

Versions Available:

See PIM-152 ordering matrix (Figure 1)
Typical Axial Frequency Response with Presets of Dx34 Digital Speaker System Processor (swept sine-wave input, anechoic environment, 4 volts at 1 kHz at 10 feet; see Figure 2):

45-18,000 Hz

Typical Axial Frequency Response of High- and Low-Frequency Sections Alone (swept sine-wave input, anechoic environment, 4 volts at 10 feet normalized for 1 watt at 1 meter; see Figure 3):

45-18,000 Hz

Low-Frequency 3-dB-Down Point:

45 Hz

Usable Low-Frequency Limit (10-dB-down point):

30 Hz

Recommended Crossover Frequency:

1,200 Hz

Crossover Slopes,

Recommended:
24 dB per octave

Minimum:
12 dB per octave

Long-Term Average Power-Handling Capacity (see Power-Handling Test section),

Low Frequency (per EIA RS-426-A 1980):
400 watts

High Frequency (per AES2-1984/ANSI S4.26-1984):
75 watts

Sensitivity (far-field SPL referred to 1 meter, 1-watt input, anechoic environment, band-limited pink noise),

Low Frequency (100-800 Hz):
98 dB

High Frequency (500-5,000 Hz):
112 dB

SPL at Full Power (far-field SPL at 1 watt/ 1 meter referred to full power, anechoic environment, band-limited pink noise),

Long-Term Average/Peak,

Low Frequency (100-1,200 Hz):

124 dB/130 dB

High Frequency (1,200-5,000 Hz):

131 dB/137 dB

Impedance,

Nominal (low frequency/ high frequency):

8 ohms/8 ohms

Minimum (low frequency/ high frequency):

7.5 ohms/6.0 ohms

Average Efficiency,

Low Frequency: 5%

High Frequency: 25%

Nominal Coverage Angle,

Horizontal: 60°

Vertical: 40°

Beamwidth (angle included by 6-dB-down points on polar responses, indicated one-third-octave bands of pink noise, Dx34 presets employed; see Figure 4):

2,500 to 16,000 Hz Horizontal:

60° (+11°, -2°)

3,150 to 16,000 Hz Vertical:

40° (+3°, -4°)

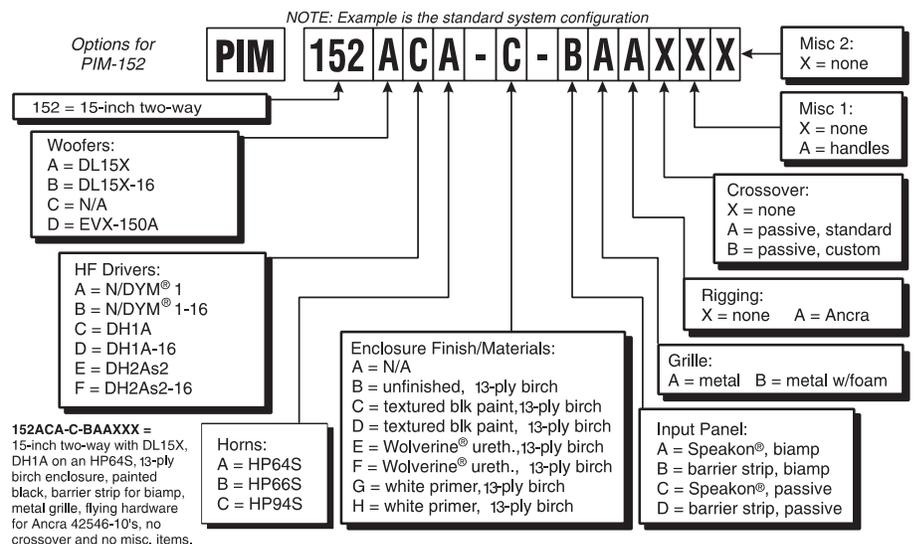
Directivity Factor R_0 (Q), 500- to 16,000-Hz Median (see Figure 5):

16.7 (+11.6, -12.4)

Directivity Index D_1 , 500- to 16,000-Hz Median (see Figure 5):

12.2 dB (+2.3 dB, -5.8 dB)

FIGURE 1 — PIM-152 Ordering Matrix



152ACA-C-BAAXXX = 15-inch two-way with DL15X, DH1A on an HP64S, 13-ply birch enclosure, painted black, barrier strip for biamp, metal grille, flying hardware for Ancra 42546-10's, no crossover and no misc. items.

PIM-152 SPECIFICATION GRAPHICS

FIGURE 2 — PIM-152 Typical Axial Frequency Response with Presets of Dx34 Digital Speaker System Processor (swept sine-wave input, anechoic environment, 4 volts at 1 kHz at 10 feet)

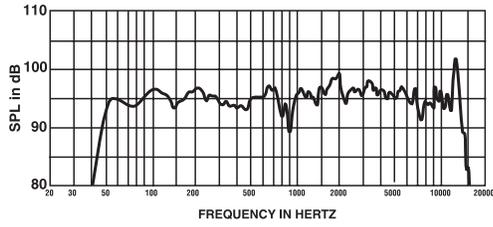


FIGURE 3 — PIM-152 Typical Axial Frequency Response of High- and Low-Frequency Sections Alone (swept sine-wave input, anechoic environment, 4 volts at 10 feet normalized for 1 watt at 1 meter)

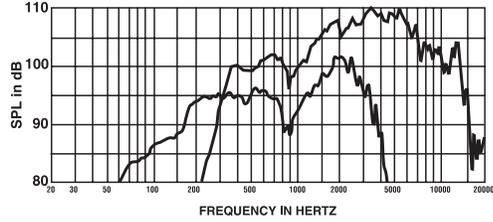


FIGURE 4 — PIM-152 Beamwidth vs. Frequency (one-third-octave bands of pink noise)

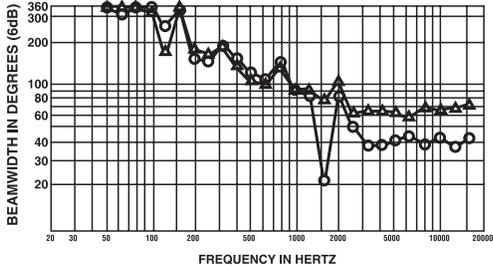


FIGURE 5 — PIM-152 Directivity Factor and Directivity Index vs. Frequency (one-third-octave bands of pink noise)

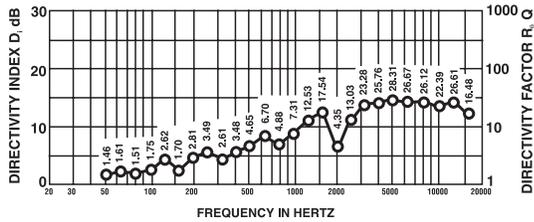


FIGURE 6 — PIM-152 Harmonic Distortion with Dx34 Presets, 10% Rated Input Power at 500 Hz (on axis at 1 meter from system)

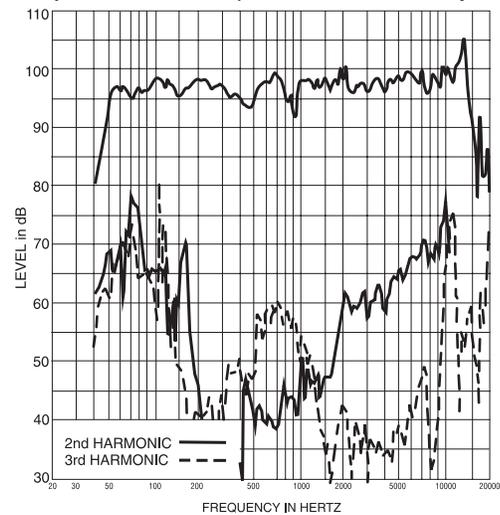


FIGURE 7 — PIM-152 Dimensions

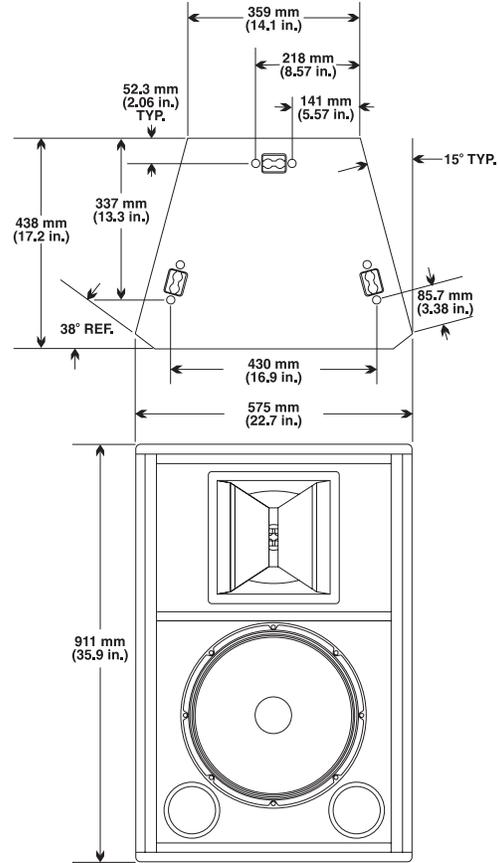
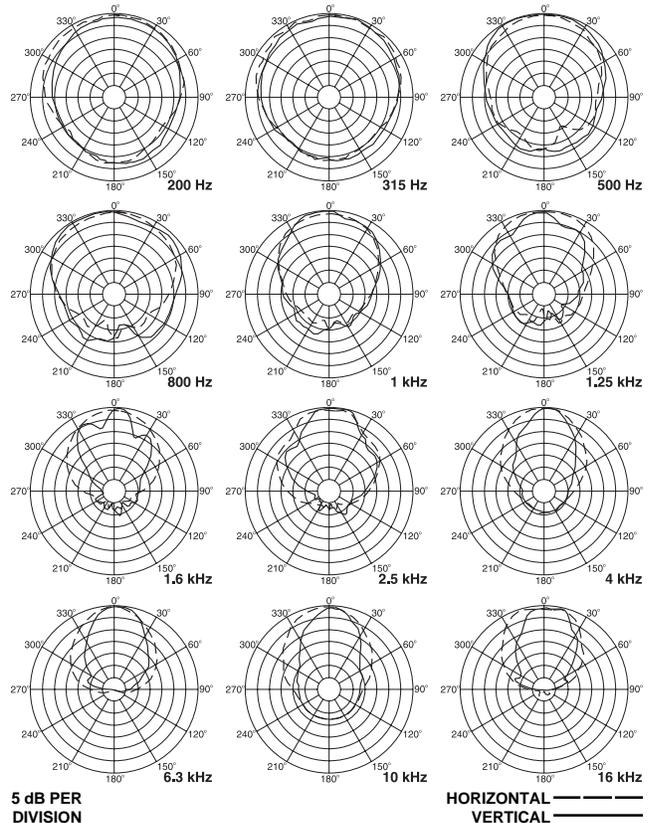


FIGURE 8 — PIM-152 Polar Responses, Selected to Typify Performance (one-third-octave bands of pink noise)



**Distortion Response with Dx34 Presets,
1% Rated Input Power at 500 Hz (on axis
at 1 meter from system),**

Second Harmonic:

100 Hz: <1.0%
1,000 Hz: <1.0%
10,000 Hz: 3.2%

Third Harmonic,

100 Hz: <1.0%
1,000 Hz: <1.0%
10,000 Hz: <1.0%

**Distortion Response with Dx34 Presets,
10% Rated Input Power at 500 Hz (on axis
at 1 meter from system; see Figure 6),**

Second Harmonic,

100 Hz: 2.0%
1,000 Hz: <1.0%
10,000 Hz: 10.0%

Third Harmonic,

100 Hz: <1.0%
1,000 Hz: <1.0%
10,000 Hz: 3.2%

Transducer Complement,

Low Frequency:

DL15X 381-mm (15-in.) woofer
in a vented enclosure

High Frequency:

HP64S 60° x 40° horn mounted
to DH1A 51-mm (2-inch) exit
compression driver

Box Tuning Frequency:

38 Hz

Polarity (all drivers):

A positive voltage applied to the positively
marked input terminal produces a positive
acoustic pressure at the front of the
system

**Input Connections, Low Frequency/
High Frequency:**

#10 screw terminals on barrier strip; each
driver can be individually accessed

Driver Protection, High Frequency:

Solid-state self-resetting circuit (PRO™
circuit) drops input 6 dB; blocking
capacitor with 800-Hz corner frequency
and 6-dB-per-octave slope

Enclosure Materials and Color:

Textured black painted 7-ply void-free
birch

Grille:

Black powder coated, vibration-resistant
steel, removable

Suspension:

Integral three-point flying system (accepts
Ancra 42546-10 single-stud tie-down cargo
fitting; four fittings supplied with system;
see Suspending PIM-152 Enclosures
section)

Dimensions (see Figure 7),

Height:

911 mm (35.9 in.)

Width at front:

575 mm (22.7 in.)

Width at rear:

359 mm (14.1 in.)

Depth:

438 mm (17.2 in.)

Side-Wall Draft Angle:

15°

Net Weight:

46.3 kg (102 lb)

Shipping Weight:

51.8 kg (114 lb)

DESCRIPTION AND APPLICATIONS

The Electro-Voice PIM-152 is a compact, trap-
ezoidal two-way speaker system for permanent
installation. The high-frequency section is horn
loaded and the low-frequency section is direct
radiating in an optimally vented enclosure. The

PIM-152 is part of the PI Matrix Series™, a
highly flexible group of full-range and low-
frequency systems for applications where com-
pact systems are appropriate. Many perform-
ing arts centers, clubs, auditoriums, sports
facilities and houses of worship are candidates
for the PI Matrix Series™.

The flexibility of the PI Matrix Series™ allows
the designer to customize a system to both suit
the acoustic environment and meet a wide
variety of architectural and mechanical require-
ments. High-frequency horns have been opti-
mally sized to maintain their rated coverage
patterns down to the chosen crossover fre-
quencies and over as wide a frequency range
as possible. Furthermore, the horns are opti-
onally available in three coverage angles (90° x
40°, 60° x 40° and 60° x 60°) to aid in properly
matching a speaker location to the audience
area. In addition, all horns may be rotated about
their axes, for coverage that is independent of
enclosure orientation.

Other PI Matrix Series™ options include low-
and high-frequency drivers, enclosure materi-
als and finish, grilles, suspension hardware
and input-panel connections, giving the sound
contractor or consultant literally thousands of
combinations to satisfy the overall system
design criteria.

The PIM-152 standard configuration is a 60° x
40° two-way full-range system for biampifica-
tion. The PIM-152 maintains good directivity
control down to 2,500 Hz (see Figure 4). The
low-frequency section incorporates a DL15X
381-mm (15-in.) woofer. The angled enclosure
sides (15°) allow ceiling or under-balcony mount-
ing with a reduced vertical profile and an aiming
angle that is inherently in the general direction
of the audience. The enclosure is made of black
painted 7-ply void-free birch and includes cer-
tified flying hardware as standard.

Delivering smooth and extended performance,
the high-frequency section operates from 1,200
to 18,000 Hz and consists of a DH1A compres-
sion driver coupled to an HP64S 60° x 40°
constant-directivity horn. The HP64S horn fea-
tures integral fiberglass-and-zinc construction
for exceptional strength and performance. Beam-
width-control vanes in the horn throat
correct all coverage anomalies in the 10- to 20-
kHz octave. The driver is protected from over-
drive by the solid-state, self-resetting PRO™
circuit, which drops the input signal by 6 dB.
Additional protection at the low end of the
driver's range is provided by a series blocking
capacitor with a corner frequency of 800 Hz.

The low-frequency section operates between
50 and 1,200 Hz and has been designed for
superior performance. The DL15X woofer can
handle very large levels of input power, produc-
ing high acoustic output with relatively low
distortion and closely matching the output lev-
els of the high-frequency section.

The PIM-152 is equipped with a number of
additional features to make operation and in-
stallation easy and secure. A proprietary struc-
tural extrusion is incorporated into the en-
closure, providing safe and flexible suspension
(see Suspending PIM-152 Enclosures section).
Up to two enclosures of the same footprint can
be suspended without additional support (as
long as the lower system is not heavier than the
upper system), so arrays can be created quickly
and easily. The grille is composed of vibration-
resistant steel for excellent driver protection,
and an optional foam cover can be added for
better protection when used outdoors. Besides
the standard black-painted finish, the en-
closure can also be ordered primed in white for
painting with ordinary paints, unfinished for
staining or with our special Wolverine® weather-
resistant finish for outdoor applications. All driv-
ers on the PIM-152 can be serviced from the
front of the enclosure.

**A complete listing of all system options is
shown in Figure 1.**

SUSPENDING PIM-152 ENCLOSURES

*Suspending any object is potentially danger-
ous and should be attempted only by individu-
als who have a thorough knowledge of the
techniques and regulations of hanging over-
head. Electro-Voice strongly recommends that
the PIM-152 be suspended taking into account
all current national, federal, state and local
regulations. It is the responsibility of the in-
staller to ensure that the PIM-152 is safely
installed in accordance with all such regula-
tions. If the PIM-152 is suspended, Electro-
Voice strongly recommends that the system be
inspected at least once a year. If any sign of
weakness or damage is detected, remedial
action should be taken immediately.*

The PI Matrix Series™ enclosures are sus-
pended using the following approach, which
has been approved by an independent struc-
tural engineer. Every enclosure incorporates
six independent suspension points, three on
the top and three on the bottom. A minimum of
three points must be used at all times to sus-
pend the enclosure. The suspension points,
which "tie" the top and sides of the enclosure
together, are made of structural aluminum.
Each suspension point mates to an Ancra
42546-10 locking fitting (four are supplied with
each enclosure ordered with this option, EV
#20562), and each point has a break strength of
907 kg (2,000 lb) in any direction.¹ A maximum
of two enclosures can be "daisy chained" to-
gether, allowing the construction of vertical
arrays. This also applies to other PIM models
with the same footprint, as long as the lower
system is no heavier than the upper system. If
the lower system is heavier, or if longer arrays
are required, provision must be made to in-
dependently suspend each enclosure. The Ancra
42546-10 fitting incorporates a safety pin to
prevent accidental release, and it should be
engaged at all times.

ROTATING THE HIGH-FREQUENCY HORN

The PIM-152 high-frequency horn may be eas-
ily rotated about its major axis, providing cover-
age independent of enclosure orientation. First
remove the enclosure grille, then the horn. Both
are affixed with #2 Phillips-head screws. Rotate
the horn 90° about its axis and reinstall the
components.

CONNECTIONS

The option ordered, biamped or passive cross-
over with either barrier strip or Neutrik Spea-
kon® connectors, will determine the wiring of
the system components.

Biamped Input

If the system is biamped with barrier strips,
each frequency section can be individually ac-
cessed via #10 screw terminals as marked on
the input panel. If Neutrik Speakon® connectors
are used, pins 1+/1- are wired to the low-
frequency driver and pins 2+/2- to the high-
frequency section. The high-frequency section
incorporates a low-frequency blocking capaci-
tor with a 3-dB-down point of 800 Hz and PRO™
circuit autoresetting overload protection.

Passive Crossover Input

If the passive crossover option is used, both
barrier strips are wired in parallel and pins 1+/
1- on both Neutrik Speakon® connectors are
wired in parallel.

In all cases, drivers are connected with the
same polarity. A positive voltage applied to the
positively marked terminal produces a positive
acoustic pressure at the front of the system.

CROSSOVER, EQ AND SIGNAL DELAY

The PIM-152 is a two-way system which must

¹ For additional information, contact Ancra International at 606/
371-7272 or toll free (within U.S. only) at 800/233-5138.

