



N/D367

N/DYM® Dynamic Cardioid Female Vocal Microphone

- Designed specifically for the female voice
- Smooth, controlled frequency response
- High N/DYM® sensitivity
- Superior multistage shock mount for unmatched low handling noise

Description

The Electro-Voice N/D367, part of a new generation of N/DYM® microphones, is designed specifically for the female vocalists in live-sound applications. The N/D367 is a member of a family of microphones that are manufactured with refinements that enhance the sonic smoothness, improve gain-before-feedback and provide more consistent performance with greater durability than earlier generations of N/DYM® microphones. EV's microphone designers researched the differences in timbre between male and female voices and observed the unique characteristics of the female vocalist. Applying the conclusions of the research to the N/D367, increased sensitivity has been added in the 1 kHz to 2 kHz region with a smooth and more controlled frequency response above 2kHz, enhancing female vocal harmonics. The N/D367 is the microphone of choice for the female vocalist who desires a product that will emphasize her vocal qualities while producing the power to be heard above the mix.

The N/DYM® magnet geometry used in the N/D367, combined with a reinforced diaphragm design, creates a smooth, extended frequency response with a warm, open and

transparent sound quality normally found only in studio-quality microphones. The N/D367 microphone employs a highly effective hum-bucking coil to cancel hum interference from lighting and other power sources.

N/DYM® microphones feature EV's AcoustiDYM™ shock-mount system. This unique vibration isolating system works as a multistage device. At low frequencies, a rear sound wave cancels the diaphragm motion, while, at high frequencies, the specially designed rubber shock mount isolates the transducer from motion. Combining AcoustiDYM™ with the elastomeric Warm-Grip™ handle and the windscreen bumper produces an advanced technology, vibration isolating system which dramatically reduces all forms of handling noise for the most demanding situations.

The N/D367 has a cardioid polar pattern, providing an enhanced front-area sensitivity and acoustic rejection directly behind the microphone, reducing feedback under live performance conditions. This is particularly useful with typical monitor speaker placement and high sound pressure level (SPL) requirements. Additionally, the N/D367's polar patterns are unusually uniform with frequency,

ensuring superior gain-before-feedback in live applications and superior isolation when used in the studio.

The N/D367 pop filter's unique design utilizes a specially processed Acoustifoam™ filter to minimize wind noise and vocal P-pops. This design makes the pop filter an integral part of the microphone's removable front grille assembly, allowing easy cleaning for continued top performance.

Operation

The N/D367's low-frequency response varies with the distance of the sound source to the microphone. This is known as "proximity effect." Maximum bass response is produced in close-up use with the microphone 1/4 inch from the sound source. Minimal bass response is experienced at distances greater than 24 inches. By working closer to the microphone, the human voice will sound more robust.

Working the microphone "close-up" will also reduce the potential for feedback from a PA sound system. This benefit is in addition to the feedback-reducing cardioid polar pattern. When close-talked, the substantial bass boost provides an increase in overall microphone output level. The mixer gain may be pro-

N/D367 Cardioid Female Vocal Microphone

N/D367 Cardioid Female Vocal Microphone

portionately reduced, resulting in a reduction of the system's sensitivity to feedback caused by sound entering the microphone from the loudspeakers.

The dynamic element of the N/D367 will provide reliable operation in extreme temperature, humidity and other adverse conditions that would render typical condenser microphones useless. These N/D367 features will provide years of trouble-free operation.

Certified Performance

Every N/D367 is inspected by a quality control tester and subjected to a computer-controlled test system that verifies numerous performance parameters. After the performance meets or exceeds our rigorous standards, the actual measured frequency response is plotted on a "Certificate of Performance" and included with the microphone. Certified performance may vary from published "Average Response." This certificate guarantees that each N/D367 will perform to exacting standards of the **100% quality assurance testing**, established by EV's design engineers.

Limited Warranty

Electro-Voice products are guaranteed against malfunction due to defects in materials or workmanship for a specified period, as noted in the individual product-line statement(s) below, or in the individual product data sheet or owner's manual, beginning with the date of original purchase. If such malfunction occurs during the specified pe-

riod, the product will be repaired or replaced (at our option) without charge. The product will be returned to the customer prepaid.

Exclusions and Limitations: The Limited Warranty does not apply to: (a) exterior finish or appearance; (b) certain specific items described in the individual product-line statement(s) below, or in the individual product data sheet or owner's manual; (c) malfunction resulting from use or operation of the product other than as specified in the product data sheet or owner's manual; (d) malfunction resulting from misuse or abuse of the product; or (e) malfunction occurring at any time after repairs have been made to the product by anyone other than EVI Audio Service or any of its authorized service representatives. **Obtaining Warranty Service:** To obtain warranty service, a customer must deliver the product, prepaid, to EVI Audio Service or any of its authorized service representatives together with proof of purchase of the product in the form of a bill of sale or receipted invoice. A list of authorized service representatives is available from EVI Audio Service at 600 Cecil Street, Buchanan, MI 49107 (800/685-2606 or FAX 616/695-4743). **Incidental and Consequential Damages Excluded:** Product repair or replacement and return to the customer are the only remedies provided to the customer. Electro-Voice shall not be liable for any incidental or consequential damages including, without limitation, injury to persons or property or loss of use. Some states do not allow the exclusion or limitation of

incidental or consequential damages so the above limitation or exclusion may not apply to you. **Other Rights:** This warranty gives you specific legal rights, and you may also have other rights which vary from state to state.

Electro-Voice Wired Microphones are guaranteed against malfunction from any cause for two (2) years from the date of original purchase. In addition, the Limited Warranty for the acoustic system contained in these microphones shall apply for the life of the product, defined as a period of ten (10) years from the date that the manufacture of the specific microphone has been discontinued. Any and all active electronics incorporated in these microphones are guaranteed against malfunction due to defects in materials or workmanship for a period of three (3) years from the date of original purchase. The Limited Warranty does not extend to cables, cable connectors, or switches. Additional details are included in the Uniform Limited Warranty statement.

For technical assistance, contact Technical Support at 800/234-6831 or 616/695-6831, M-F, 8:00 a.m. to 5:00 p.m. Eastern Standard time.

Specifications subject to change without notice.

N/D367 Cardioid Female Vocal Microphone

N/D367 Cardioid Female Vocal Microphone

Figure 1—Frequency Response

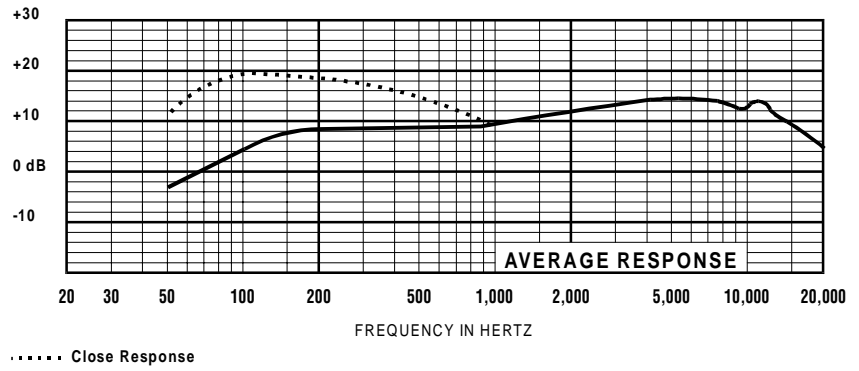


Figure 2—Polar Response

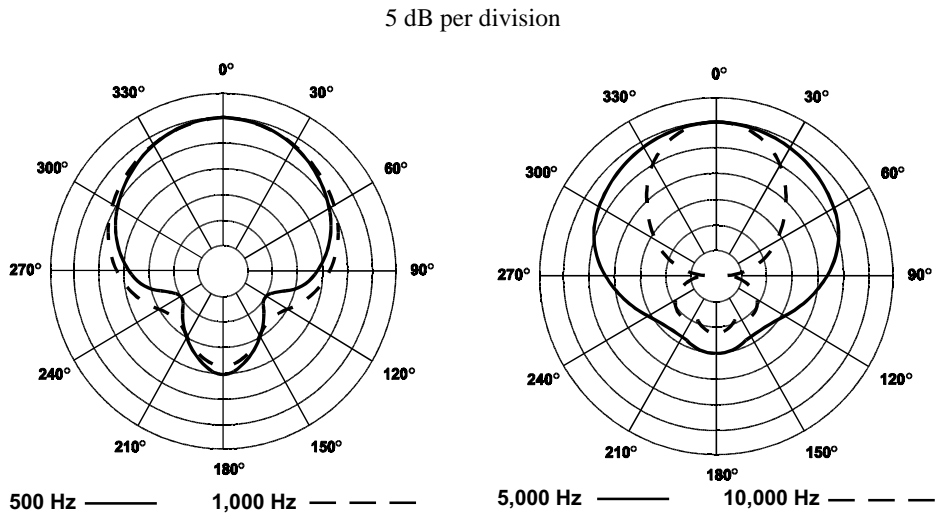
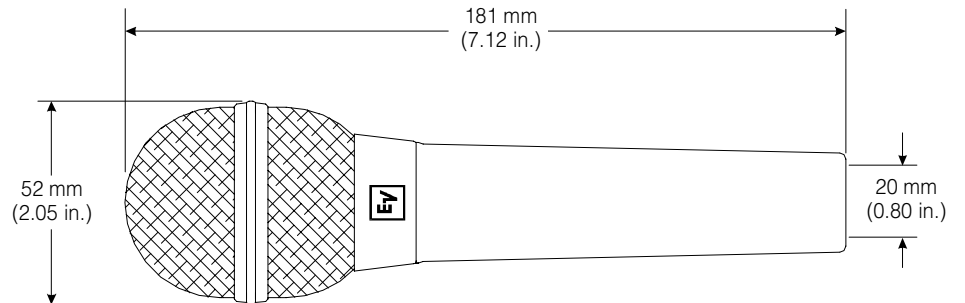


Figure 3—Dimensions



N/D367 Cardioid Female Vocal Microphone

Specifications

Frequency Response,

Close Response:

30-17,000 Hz

Far Response:

60-17,000 Hz

Polar Pattern:

Cardioid

Sensitivity,**Open Circuit Voltage @ 1 kHz:**

3.0 mV/pascal

Power Level @ 1 kHz:

-51 dB

(0 dB = 1m W/ pascal)

Dynamic Range:

144 dB

Equivalent Output Noise:

14 dB A weighted

(0 dB = 0.00002 pascal)

Polarity:

Positive pressure on diaphragm causes
positive voltage on pin 2 ref. pin 3

Impedance:

150 ohms balanced (low-Z)

Materials,**Grille Screen:**

Memraflex™

Handle:

Warm-Grip™

Finish:

Nonreflecting black

Accessories Included:

323S stand clamp

Soft zippered "gig" bag

Dimensions,**Length:**

181 mm (7.12 in.)

Diameter:

52 mm (2.05 in.)

Shank:

20 mm (0.80 in.)

Net Weight:

258 g (9.1 oz)

Shipping Weight:

535 g (18.9 oz)

MADE IN USA

Electro-Voice®

600 Cecil Street, Buchanan, MI 49107

616/695-6831, 616/695-1304 Fax

©EVI Audio 1998 • Litho in U.S.A.

MICROPHONES—N/DYM®

Part Number 534569-9805