

Mb200 AND Mb200W Installation Kit

- Mounting kit for System™ 200 speakers
- May be used in conjunction with OmniMount® Series 100 support system¹
- Versatile design allows the speaker to be aimed at any angle from wall or ceiling
- Provides a rigid frame for flying one or two speakers
- Creates arrays of two to six speakers when used with the Mb300 Horizontal Array Kit
- Also available in white (Mb200W)

1. OmniMount® is a registered trademark of OmniMount Systems, Inc.

SPECIFICATIONS:

Wall Mounting Holes:

Three 8-mm (5/16-in.) diameter holes spaced 20.3 cm (8.0 in.) apart (see Figure 2)

Enclosure Mounting Holes:

Two 8-mm (5/16-in.) diameter holes, top and bottom

Material:

10-gauge cold-rolled steel

Finish:

Wrinkled powder coat

Net Weight:

3.40 kg (7.50 lb)

Shipping Weight:

3.83 kg (8.44 lb)

WARNING:

Suspending any object is potentially dangerous and should be attempted only by individuals who have a thorough knowledge of the techniques and regulations of rigging objects overhead. Electro-Voice sanctions suspending the System 200™ speakers only when all current national, federal, state and local regulations are taken

into account. When the System 200™ speaker is suspended, Electro-Voice strongly recommends that system be inspected at least once a year. If any sign of weakness is detected, corrective action should be taken immediately.

DESCRIPTION

The Mb200 installation kit consists of a U-bracket, two M8 x 1.25 hex-head bolts, four lock washers, two friction pads, and two 3/8-24 hex-head bolts (see Chart 1). The kit is designed to accommodate the System 200™ installation in a variety of ways.

Wall or Ceiling Mounting:

The robust design of the Mb200 installation bracket allows the System 200™ speakers to be mounted in almost any position to obtain the desired sound coverage (see Figure 3).

Flying Installations

The Mb200 bracket "captures" the speaker in a rigid frame which has structurally sound locations for attaching rigging hardware. These attachment points are four 12.7-mm (1/2-in.) diameter holes located on the ends of the

bracket. A 3/8-in. "quick link" (or similar hardware) can be readily connected to each attachment point.

System 200™ speakers can be flown individually in either a horizontal or vertical position, or two speakers can be flown together in a vertical position (see Figures 4 and 5).

System 200™ Horizontal Arrays

Arrays of two to six speakers are securely supported in a frame comprised of Mb200 and Mb300 brackets. To create a horizontal array, two Mb200 brackets are simply locked into the correct alignment position using the brackets from the Mb300 Horizontal Array Kit (see Figure 6). The array is extended by using one additional Mb200 bracket and one Mb300 kit for each additional speaker. To complete the circle for a six speaker array, one additional Mb300 kit is required. Please refer to Chart 2 to select the exact number of each kit needed, based on desired array size. (Note: refer to Mb300 Horizontal Array Kit engineering data sheet for detailed instructions on System 200™ horizontal array construction using Mb200 Installation and Mb300 Horizontal Array Kits.)

CHART 1: Mb200 Installation Kit Parts List

| Item | Description | Quantity | Part Number |
|------|-----------------------------|----------|-------------|
| A | Bracket | 1 | 71914 |
| B | M8 x 1.25 hex head bolt | 2 | 63310 |
| C | 5/16 split ring lock washer | 2 | 38144 |
| D | 3/8-24 hex head bolt | 2 | 63311 |
| E | 3/8 split ring lock washer | 2 | 38834 |
| F | Friction washer | 2 | 38829 |

CHART 2: Kit Requirements for System 200™ Horizontal Array Construction

| # of Enclosures in Array: | # of Kits Req'd | |
|---------------------------|-----------------|-------|
| | Mb200 | Mb300 |
| 2 | 2 | 1 |
| 3 | 3 | 2 |
| 4 | 4 | 3 |
| 5 | 5 | 4 |
| 6 (complete circle) | 6 | 6 |

Mb200 SPECIFICATION GRAPHICS

FIGURE 1 — Attaching Mb200 Bracket to System 200™ Speaker (exploded view)

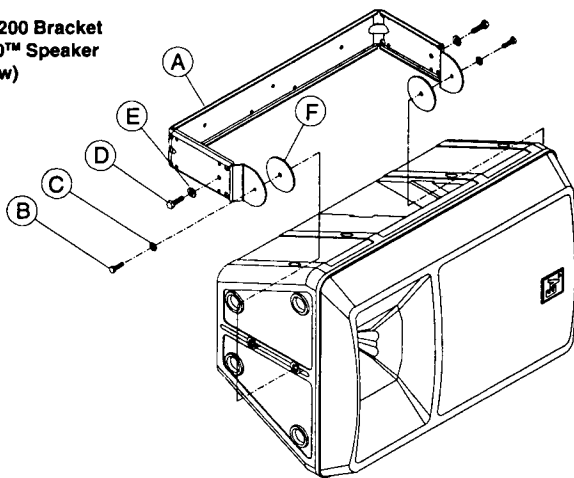


FIGURE 2 — Mb200 Installation Kit Dimensions

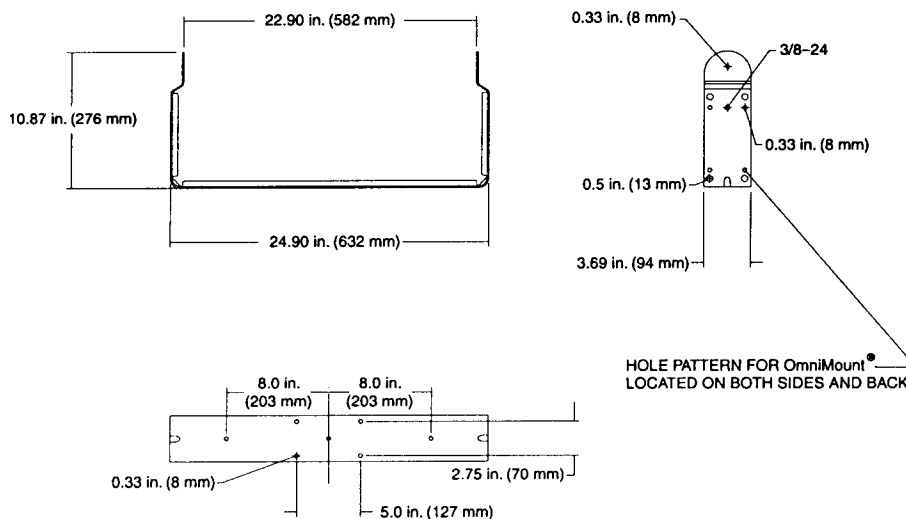
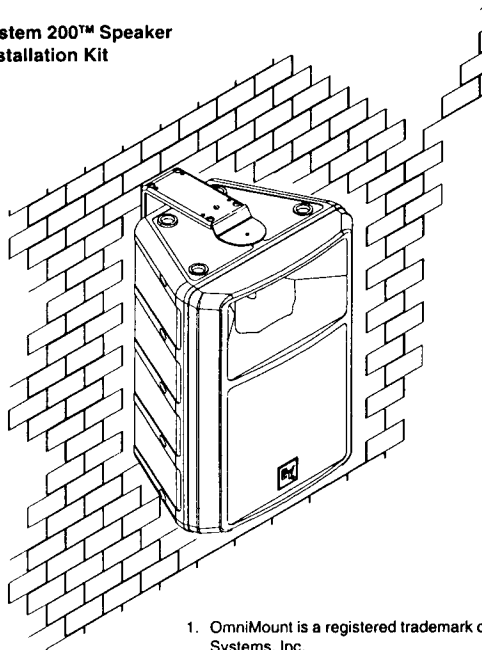


FIGURE 3 — Wall-Mounting a System 200™ Speaker Using the Mb200 Installation Kit



1. OmniMount is a registered trademark of OmniMount Systems, Inc.

WALL MOUNTING INSTRUCTIONS

CAUTION: Due to the weight of System 200™ speakers, it is imperative that the Mb200 bracket be properly secured to the wall or ceiling. The choice of fastener (not provided with this kit) will be determined by the material and construction of the mounting surface.

1. Refer to Figure 1 for the following steps.
2. Remove the paper backing from one of the friction pads (F) and, making sure the holes are aligned, attach to the U-bracket (A) as shown. Attach the second friction pad in a similar manner.
3. Attach the U-bracket to the wall or ceiling using fasteners (not supplied) that are suitable for the construction material.
4. Remove the hole plugs from the ends of the System 200™ speaker by gently prying with a small screwdriver.
5. Place one of the smaller lock washers (C) on each of the two M8 bolts (B).
6. Place the speaker into the U-bracket and finger tighten the M8 bolts.
7. Rotate the speaker so that the input panel is accessible and attach the wires to the input panel.
8. Position the speaker for the desired coverage and gently tighten the M8 bolts until the speaker will no longer rotate. **DO NOT OVERTIGHTEN.**

Note: The 3/8-24 bolts (D) are used to lock the speaker parallel to the bracket and prevent it from being rotated. This is needed when arraying the speaker for proper alignment and when flying in the vertical position.

FLYING INSTRUCTIONS

NOTE: A maximum of two speakers can be suspended together vertically using the Mb200 installation bracket.

1. Refer to Figure 1 for the following steps.
2. Remove the paper backing from one of the friction pads (F) and, making sure the holes are aligned, attach to the U-bracket (A) as shown. Attach the second friction pad in a similar manner.
3. Remove the hole plugs from the ends of the System 200™ speaker by gently prying with a small screw driver.
4. Place one of the smaller lock washer (C) on the M8 bolt (B).
5. Place the speaker into the U-bracket and finger-tighten the bolts.
6. For vertical flying (see Figure 5) or for horizontal positioning with speaker perpendicular to the floor (straight down), place the larger lock washer (E) on the 3/8-24 bolt (D).
7. Position the speaker parallel to the bracket. The 3/8-24 hole should align with the groove in the speaker. Tighten the bolt until the lock washer is compressed.
8. Gently tighten the M8 bolts until the speaker will no longer rotate. **DO NOT OVERTIGHTEN.**

FIGURE 4A — Correct and Incorrect Eyebolt Orientation

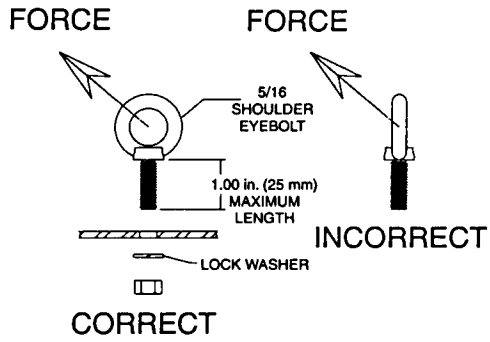


FIGURE 4B — Horizontal Suspension of a System 200™ Speaker Using Mb200 Installation Kit (side view)

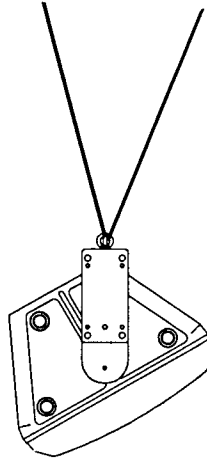


FIGURE 4C — Horizontal Suspension of a System 200™ Speaker Using Mb200 Installation Kit (isometric view)

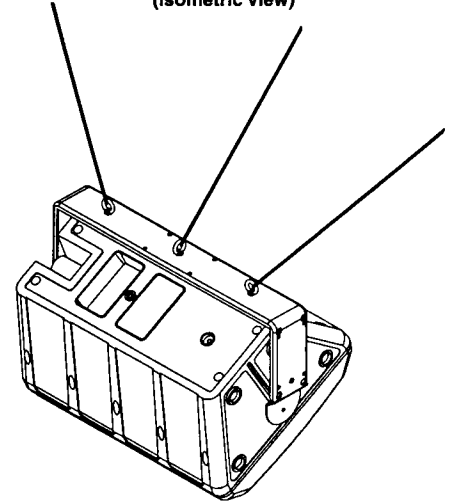


FIGURE 5A — Vertical Suspension of a System 200™ Speaker Using Mb200 Installation Kit

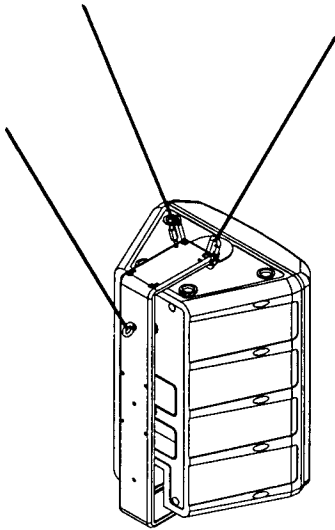


FIGURE 5B — Vertical Suspension of Two System 200™ Speakers Using Mb200 Installation Kit

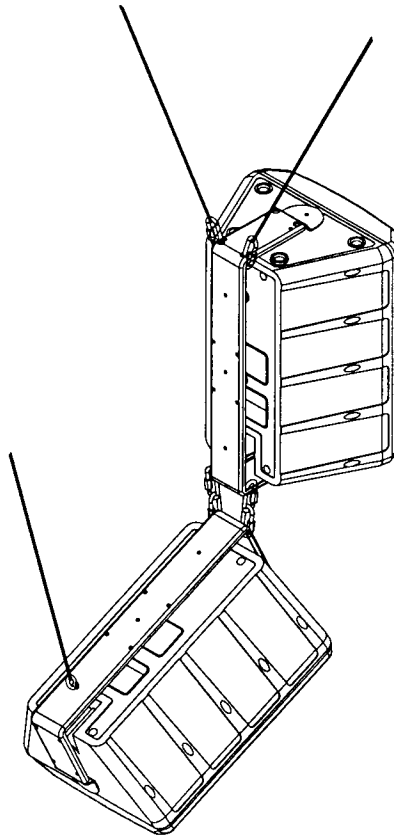


FIGURE 6A — Frame Structure for Horizontal Array in Position for Assembly (comprised of Mb200 and Mb300 brackets)

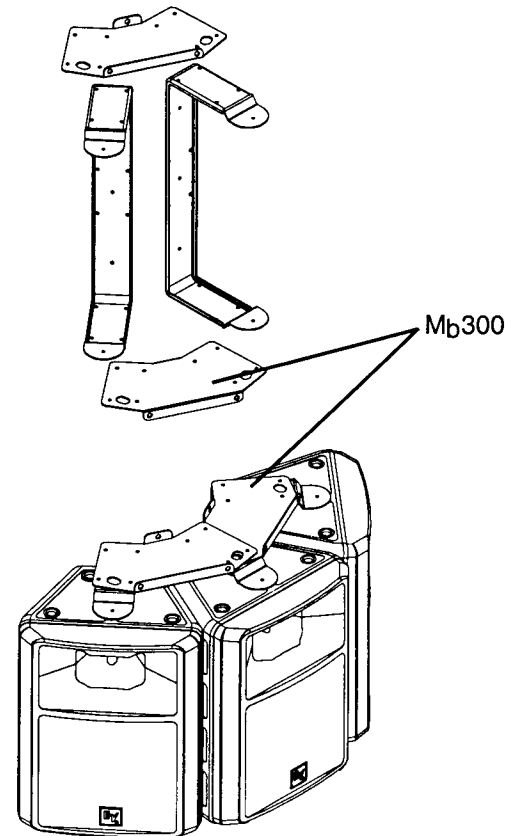


FIGURE 6B — System 200™ Horizontal Array (assembled)

Horizontal Flying

1. Refer to Figure 4 for the following steps.
2. Install three M8 x 25 mm ($5/16$ x 1 in.) shoulder eye bolts (not provided with kit) into the rear mounting holes in the bracket (see Figure 4).
3. Following steps 1-5 of the Flying Instructions (page 2), fasten the speaker into the bracket.
4. Hang speaker using the three eye bolts for stability (see Figure 4). Be sure the eye bolts are oriented correctly for the force applied (see Figure 4A).
5. Position the speaker for the desired coverage and gently tighten the M8 hex-head bolts until the speaker will no longer rotate. **DO NOT OVERTIGHTEN.**

Vertical Flying

— Single Speaker Suspension —

1. Refer to Figure 5A for the following steps.
2. Following steps 1-7 of the Flying Instructions (page 2), fasten the speaker into the bracket.
3. Install one M8 x 25 mm ($5/16$ x 1 in.) shoulder eye bolt (not provided with kit) as follows, depending on the position desired:

Speaker perpendicular to the floor (straight vertical)—install bolt into top rear-mounting hole in bracket

Speaker angled downward—install bolt into lowest rear-mounting hole in bracket.

4. Hang the speaker using the 12.7-mm ($1/2$ -in.) holes located nearest to where the bracket attaches to the speaker.
5. Position speaker for the desired coverage by pulling up on the rear eye bolt until the appropriate angle is achieved. Be sure the eyebolts are oriented correctly for the force applied (see Figure 4A).

Vertical Flying

— Two Speaker Suspension —

1. Refer to Figure 5 for the following steps.

2. Following steps 1-8 of the Flying Instructions (page 2), fasten the speaker into the bracket.
3. Install one M8 x 25 mm ($5/16$ x 1 in.) shoulder eye bolt (not provided with kit) into the lowest rear-mounting hole in one of the brackets.
4. Link the two brackets together by joining each of the two 12.7-mm ($1/2$ -in.) holes nearest the back of the bracket with a series of two $3/8$ -in. quick link chain connectors (see Figure 5B). Be sure that the quick link connection is made at the opposite end of the bracket from the previously installed M8 x 25 mm shoulder eye bolt.
5. Suspend the speakers using the two 12.7-mm ($1/2$ -in.) holes nearest the back of the bracket. Suspend from the bracket which does not contain the M8 x 25 mm shoulder eye bolt.
Be sure to use the bracket's rear 12.7-mm ($1/2$ -in.) holes only. The weight of the speakers is then supported by the metal brackets and not by the plastic structure of the speakers.
6. Position speaker for the desired coverage by pulling up on the rear eye bolt until the appropriate angle is achieved. Be sure the eyebolts are oriented correctly for the force applied (see Figure 4A).

UNIFORM LIMITED WARRANTY

Electro-Voice products are guaranteed against malfunction due to defects in materials or workmanship for a specified period, as noted in the individual product-line statement(s) below, or in the individual product data sheet or owner's manual, beginning with the date of original purchase. If such malfunction occurs during the specified period, the product will be repaired or replaced (at our option) without charge. The product will be returned to the customer prepaid. **Exclusions and Limitations:** The Limited Warranty does not apply to: (a) exterior finish or appearance; (b) certain specific items

described in the individual product-line statement(s) below, or in the individual product data sheet or owner's manual; (c) malfunction resulting from use or operation of the product other than as specified in the product data sheet or owner's manual; (d) malfunction resulting from misuse or abuse of the product; or (e) malfunction occurring at any time after repairs have been made to the product by anyone other than Electro-Voice or any of its authorized service representatives. **Obtaining Warranty Service:** To obtain warranty service, a customer must deliver the product, prepaid, to Electro-Voice or any of its authorized service representatives together with proof of purchase of the product in the form of a bill of sale or receipted invoice. A list of authorized service representatives is available from Electro-Voice at 600 Cecil Street, Buchanan, MI 49107 (616/695-6831 or 800/234-6831). **Incidental and Consequential Damages Excluded:** Product repair or replacement and return to the customer are the only remedies provided to the customer. Electro-Voice shall not be liable for any incidental or consequential damages including, without limitation, injury to persons or property or loss of use. Some states do not allow the exclusion or limitation of incidental or consequential damages so the above limitation or exclusion may not apply to you. **Other Rights:** This warranty gives you specific legal rights, and you may also have other rights which vary from state to state.

Electro-Voice Accessories are guaranteed against malfunction due to defects in materials or workmanship for a period of one (1) year from the date of original purchase. Additional details are included in the Uniform Limited Warranty statement.

Service and repair address for this product: Electro-Voice, Inc., 600 Cecil Street, Buchanan, Michigan 49107 (616/695-6831 or 800/234-6831).

Specifications subject to change without notice.

