



F R I
S P E A K E R
S Y S T E M S

General Product Description

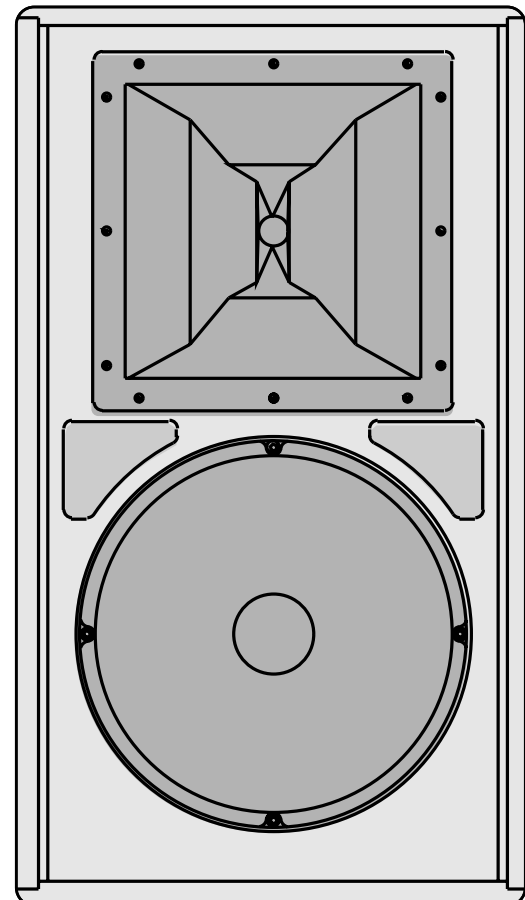
Two-way full-range passive system, with biamp option in a vented trapezoidal enclosure. Includes a 12-inch woofer and a 2"/50mm voice coil compression driver on a user-rotatable 60° × 40° constant-directivity horn.

Applications

The FRi-122/64 uses EV's exclusive RMD™ (Ring-Mode Decoupling) to provide outstanding vocal clarity and intelligibility in a cost-effective two-way system. The versatile, compact enclosure features a comprehensive system of 3/8-16 threaded mounting/suspension points, to allow horizontal or vertical mounting. Simply rotate the horn to select the desired coverage pattern. The FRi series is 28-inches high, creating a uniform look in arrays. Five year warranty.

Applications include:

- Stadiums
- Houses of Worship
- Live music clubs
- Arenas
- Discos
- Gymnasiums



Speaker Description

Part Number	FRi-122/64-BLK
LF Section & Components	DL12BFH 12-inch woofer in vented enclosure
HF Section & Components	DH2t compression driver with 2-inch titanium diaphragm on a constant-directivity horn
System Configuration	Two-way, Full range
Powering Configuration	Passive or Biamp
Recommended High-Pass Frequency (12 dB/octave min.)	50 Hz
Cabinet Type (shape)	Trapezoidal
Enclosure Materials	13-ply Birch plywood
Finish	Black Acrylic
Connectors	2 x 2 barrier strip
Suspension Hardware	(12) 3/8-16 threaded mounting/suspension points (3 each on top and bottom, 2 per side, 2 on rear)
Grille	Powder-coated perforated 16GA steel
Options	WH - white acrylic finish UN - unfinished

Speaker Characteristics

Frequency Response (passive)

±3 dB	62 Hz-15 kHz
-10 dB	50 Hz-16 kHz

Axial Sensitivity

(SPL/1 watt/1m) Passive	97 dB
(SPL/1 watt/1m) Biamp (LF/HF)	97/112 dB

Impedance

Passive	8 ohms
Biamp (LH/HF)	8/8 ohms

Power Handling

Passive	Long-term (EIA)	300 watts
	Short-term peak	1,200 watts
Biamp-LF	Long-term (EIA)	300 watts
	Short-term peak	1,200 watts
Biamp-HF	Long-term (AES)	60 watts
	Short-term peak	240 watts

Calculated Maximum Output SPL

Peak	128 dB
Long Term	122 dB

Nominal Coverage Angle

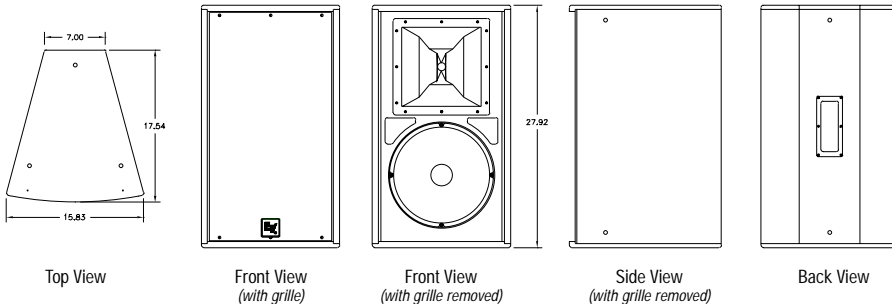
Horizontal (-6 dB)	60°
Vertical (-6 dB)	40°

Dimensions

Height	28.0 in.	(711 mm)
Width at front	15.9 in.	(404 mm)
Width at back	7.0 in.	(178 mm)
Depth	17.6 in.	(447 mm)
Trapezoid Angle	15° per side	

Weights

Net Weight	60 lb.	(27.3 kg)
Shipping Weight	72 lb.	(32.7 kg)



Architectural Specifications

The two-way full range loudspeaker system shall incorporate a 12" LF transducer and a 2"/50mm voice coil HF compression driver.

The LF driver shall be mounted in a vented enclosure tuned for optimum low-frequency response. The HF driver shall be loaded on constant-directivity horn with a nominal coverage pattern of 60° (h) × 40° (v). An internal passive filter network shall provide acoustical crossover and system equalization. Input panel will easily change from passive to biamp operation via strip connector.

System frequency response shall vary no more than ±3 dB from 62 Hz to 15 kHz measured on axis. The loudspeaker shall produce a sound pressure level (SPL) of 97 dB on axis at 1 meter with a power input of 1 watt, and shall be capable of producing a full-power peak output of 128 dB on axis at 1 meter. It shall handle 300 watts, long-term, of amplifier power (EIA Standard) and shall have a nominal impedance of 8 ohms.

The loudspeaker enclosure shall be trapezoidal in shape. It shall be constructed of 13 ply void-free cross-grain-laminated Birch plywood and shall employ extensive internal bracing. It shall be finished in black acrylic. Input connector shall be a 2 × 2 barrier strip. The following mounting/suspension hardware shall be provided: a total of twelve 3/8-16 threaded mounting/suspension points (three each on top and bottom, two per side, two on rear) shall be provided. The front of the loudspeaker shall be covered with a powder-coated perforated 16 GA steel grill.

The two-way full range loudspeaker shall be the EV model FRi-122/64.



- USA** 9600 Aldrich Ave. South, Minneapolis, MN 55420, Phone: 952-884-4051, F AX: 952-884-0043
- Canada** 705 Progress Avenue, Unit 46, Scarborough, Ontario, Canada, M1H2X1, Phone: 416-431-4975, 800-881-1685, FAX: 416-431-4588
- Switzerland** Keltenstrasse 11, CH-2563 IPSACH, Switzerland, Phone: 41/32-331-6833, FAX: 41/32-331-1221
- Germany** Hirschberger Ring 45, D94302, Straubing, Germany, Phone: 49 9421-706 000, FAX: 49 9421-706 265
- France** Parc de Courcerin, Allee Lech Walesa, Lognes, F-77185 Marne La Vallee, France, Phone: 33/1-6480-0090, FAX: 33/1-6006-5103
- Australia** Unit 23, Block C, Slough Business Estate, Silverwater N.S.W. 2128, Australia, Phone: 61/2-9648-3455, FAX: 61/2-9648-5585
- Hong Kong** Unit E & F, 21/F, Luk Hop Industrial Bldg., 8 Luk Hop St., San Po Kong, Kowloon, Hong Kong, Phone: 852-2351-3628, FAX: 852-2351-3329
- Japan** 2-5-60 Izumi, Suginami-ku, Tokyo, Japan 168, Phone: 81-3-3325-7900, FAX: 81-3-3325-7789
- Singapore** 3015A Ubi Rd 1, 05-10, Kampong Ubi Industrial Estate, Singapore 408705, Phone: 65-746-8760, FAX: 65-746-1206
- Mexico** Av. Parque Chapultepec #66-201, Naucalpan Edo. Mex. 53390, Phone: (52) 5358-5434, FAX: (52) 5358-5588

USA ONLY
 For customer orders, contact the Customer Service department at 800/685-6386 Fax: 800/955-6831

For warranty repair or service information, contact the Service Repair department at 800/685-2606

For technical assistance, contact Technical Support at 800/234-6831

Please refer to User Guide Sheet for warranty information.

Specifications subject to change without notice.