

### Key Features:

- **8" coaxial two-way with Integrated Waveguide**
- **Defined Coverage for High Ceiling Applications**
- **Waveguide coupled Ti Tweeter**
- **Full bandwidth overload protection**
- **Front baffle wattage tap adjustment**
- **Meets UL and NFPA regulations**
- **Integrated low loss matching transformer allows for either 70v/100v or 8-ohm operation**
- **Includes tile bridge and mounting ring**
- **Integrated ported enclosure for extended bass response**



### General Description:

The Electro-Voice® EVID C8.2HC is an 8" coaxial transducer feeding a innovative waveguide (patent pending) that provides directivity control to 1 kHz. It provides much better music fidelity and speech intelligibility in spaces with high ceiling heights than typical flush units are capable of. Its 75° coverage pattern provides the same coverage area when used in a 21' ceiling as a typical flush mount mounted unit in an 8' ceiling. This loudspeaker system is a complete two-way ceiling loudspeaker package. The package consists of a bezel/waveguide assembly, grille, rear enclosure, 8-inch coax two-way loudspeaker with waveguide coupled titanium coated dome tweeter and internal line-matching transformer. The C8.2HC utilizes a transformer that offers a selection of 7.5, 15, 30 or 60 watts delivered to the loudspeaker system using either 70-V or 100-V lines, or 8-ohm bypass. Selection is via a convenient switch on the front of the waveguide. The perforated grille is finished in semi-gloss white powder-coated enamel. The baffle and bezel are constructed from heat resistant UL approved ABS. The rear enclosure, with fiberglass damping material, provides an optimum internal volume for extended low-frequency performance. A rear cover, with provisions for a junction box fitting, provides access to a 4-pin terminal block that allows direct connection to the speaker with 12 gauge wire and provides pass through to additional speakers. A tile bridge is included for safe suspension of the C8.2HC ceiling system in a drop ceiling that uses mineral wool, or other fiber-based ceiling tiles. These components have been designed to work together as a complete system in a wide range of different ceiling constructions. They provide controlled dispersion, high-efficiency, high-maximum output, ease of installation, and wide-range reproduction of music or voice.

### Technical Specifications:

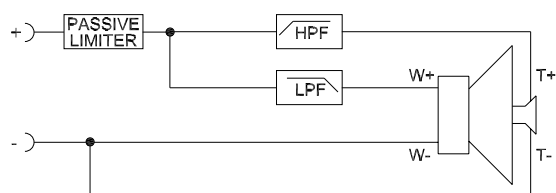
Freq. Response (-10 dB):	60 Hz - 20 kHz
Coverage (Conical):	75° nominal above 1 kHz
Power Handling:	100 W Cont. / 400 W Peak
Sensitivity (SPL 1W/1m):	91 dB
Max Calculated SPL:	117 dB
Impedance:	8 Ohms nominal
Network:	Network and transducers protected, 12 dB/oct 2.6 kHz
LF Transducer:	8 in. (200 mm) Polypropylene cone in waveguide
HF Transducer:	1 in (25 mm) Ti Mylar laminate
Transformer Taps:	7.5, 15, 30 or 60W; 70 or 100 v, 8 Ohm bypass
Connectors:	Phoenix type removable, with screw terminals and "loop-thru", accepts 12 ga wire
Enclosure Material:	Baffle- UL 94V-O rated ABS Backcan- Zinc plated steel
Grille:	Perforated powder coated steel
Support Hardware:	Tile bridge, backing plate support, cutout template
Safety Agency Ratings:	UL 2043, suitable for use in air handling spaces
Dim (H x W x D):	11.9" x 12.6" (303mm x 320mm)
Cutout Size:	12.75" (324 mm)
Net Weight (each):	13.2 lbs (6.0 kg)
Shipping Weight (pair):	30.0 lbs (13.5 kg)

All Specifications based on Half Space in ceiling.

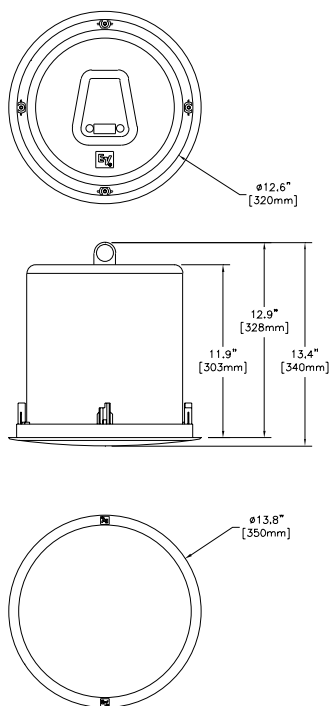
## Architects' & Engineers' Specifications:

The EVID C8.2HC loudspeaker system shall be comprised of a baffle/bezel assembly, front grille, rear enclosure, transformer and 8-inch coaxial type loudspeaker. The loudspeaker shall meet the requirements of UL 2043. The loudspeaker will feature an 8-inch low-frequency cone and a high-temperature voice-coil assembly, coaxially mounted with a titanium coated dome tweeter. Both the low frequency and high frequency drivers shall be waveguide coupled to provide dispersion control over the specified frequency range. The loudspeaker shall meet the following criteria: AES power rating shall be 100 watts of band-limited pink noise (60 Hz to 20 Hz, 6 dB crest factor). Frequency response, uniform from 60 Hz to 20 Hz. Pressure sensitivity, 91 dB SPL at 1 meter on axis with one watt of band-limited pink noise from 500 Hz to 3 kHz (ref. 20 $\mu$ Pa). Minimum impedance, 6.0 ohms. The loudspeaker shall be 303 mm (11.9 in.) in diameter and 320 mm (12.6 in.) deep. Weight shall be 6.0 kg. (13.2 lb). The coaxial ceiling loudspeakers packages shall be the Electro-Voice® model C8.2HC.

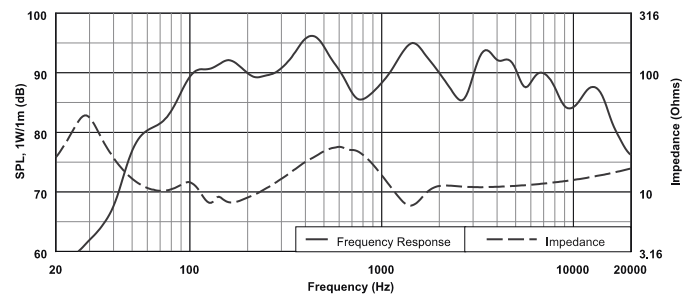
## Block Diagram:



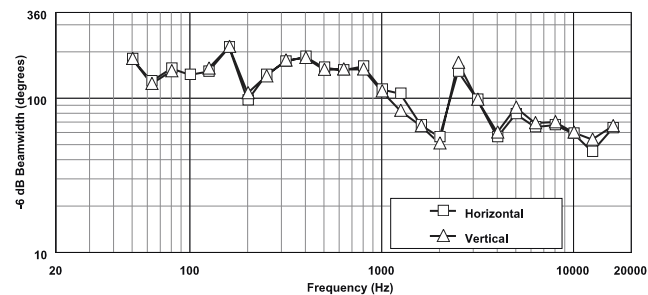
## Dimension Drawings:



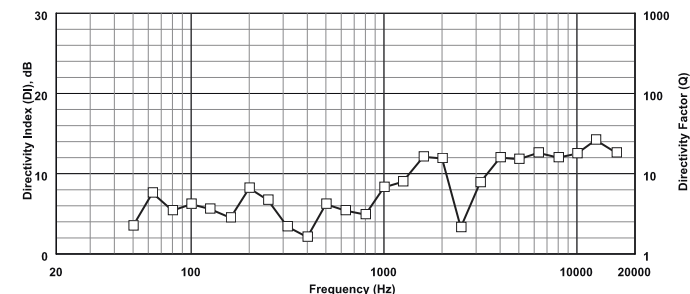
## Frequency Response:



## Beamwidth:



## Directivity:



## Performance Match:

- CPS-1 Amplifier
- CPS-2 Amplifier
- CPS-2T Amplifier
- MA-1206 Mixer Amplifier
- MA-1212 Mixer Amplifier

## EVID C8.2HC Part Number

- 301262-000



12000 Portland Avenue South, Burnsville, MN 55337  
Phone: 952/884-4051, Fax: 952/884-0043

www.electrovoice.com

© Telex Communications, Inc. 4/2002

Part Number 38110-127 Rev A

U.S.A. and Canada only. For customer orders, contact Customer Service at:

800/392-3497 Fax: 800/955-6831

Europe, Africa, and Middle East only. For customer orders, contact Customer Service at:

+ 49 9421-706 0 Fax: + 49 9421-706 265

Other International locations. For customer orders, contact Customer Service at:

+ 1 952 884-4051 Fax: + 1 952 887-9212

For warranty repair or service information, contact the Service Repair department at:

800/685-2606

For technical assistance, contact Technical Support at: 866/78AUDIO

Specifications subject to change without notice.