



EV Innovative Design

# EVID C10.1 Ceiling 10" Subwoofer Ceiling Loudspeaker System



Step Up To  
Electro-Voice®

## Key Features:

- 10" Transducer for extended LF
- Vented Enclosure
- Low Pass Network
- Meets UL and NFPA regulations
- Integrated low loss matching transformer allows for either 70v/100v or 8-ohm operation
- Includes tile bridge and mounting ring
- Integrated ported enclosure for extended bass response



## General Description:

The Electro-Voice® EVID C10.1 loudspeaker system is a complete low frequency ceiling subwoofer package. The package The Electro-Voice® EVID C10.1 loudspeaker provides additional low frequency output and extension for any EVID ceiling speaker. The package consists of a bezel assembly, grille, rear enclosure, 10-inch loudspeaker and internal line-matching transformer. The EVID C10.1 loudspeaker utilizes a 2<sup>nd</sup> order crossover network to provide the correct bandpass frequency response for use with any EVID Ceiling loud speaker. The C10.1 utilizes a transformer that offers a selection of 7.5, 15, 30 or 60 watts delivered to the loudspeaker system using either 70-V or 100-V lines, or 8 ohm bypass. Selection is via a convenient switch on the front baffle. The perforated grille is finished in semi-gloss white powder-coated enamel. The baffle and bezel are constructed from heat resistant UL approved ABS. The rear enclosure is constructed from zinc-plated, heavy gauge steel. The rear enclosure, with fiberglass damping material, provides an optimum internal volume for extended low-frequency performance. A rear cover, with provisions for a junction box fitting, provides access to a 4-pin terminal block that allows direct connection to the speaker with 12 gauge wire and provides full-range pass through to additional speakers. A tile bridge is included for safe suspension of the C10.1 ceiling systems in a drop ceiling that uses mineral wool, or other fiber-based ceiling tiles. These components have been designed to work together as a complete system in a wide range of different ceiling constructions. They provide wide dispersion, high-efficiency, high-maximum output, ease of installation, and wide-range reproduction of music.

## Technical Specifications:

Freq. Response (-10 dB):	45 Hz - 150 Hz
Coverage (Conical):	180°
Power Handling:	100 W Cont. / 400 W Peak
Sensitivity (SPL 1W/1m):	93 dB
Max Calculated SPL:	119 dB
Impedance:	8 Ohms nominal
Network:	12 dB/oct
LF Transducer:	10 in. (200 mm)
Transformer Taps:	7.5, 15 or 30W, 60W; 70 or 100 v, 8 Ohm bypass
Connectors:	Phoenix type removable, with screw terminals and "loop-thru", accepts 12 ga wire
Enclosure Material:	Baffle- UL 94V-O rated ABS Backcan- Zinc plated steel
Grille:	Perforated powder coated steel
Support Hardware:	Tile bridge, backing plate support, cutout template
Safety Agency Ratings:	UL 2043, suitable for use in air handling spaces
Dim (H x Dia.):	11.9" x 12.6" (303mm x 320mm)
Cutout Size:	12.75" (324 mm)
Net Weight (each):	15.5 lbs (7.0 kg)
Shipping Weight (pair):	34.0 lbs (15.5 kg)

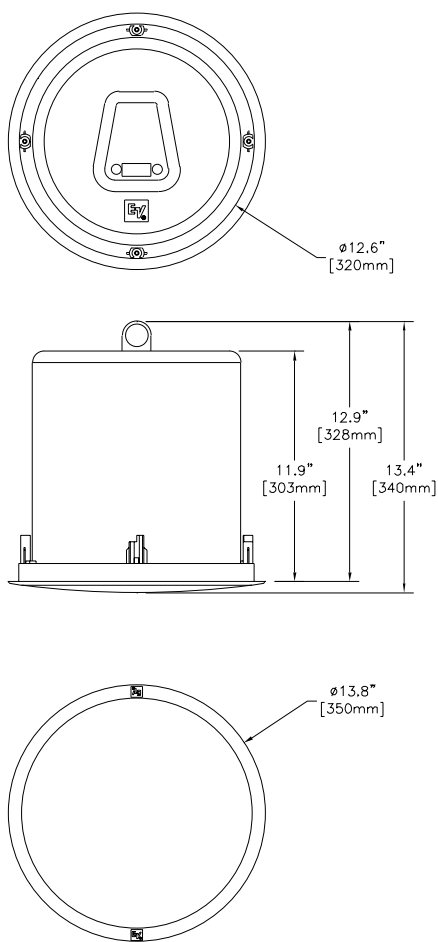
All Specifications based on Half Space in ceiling.



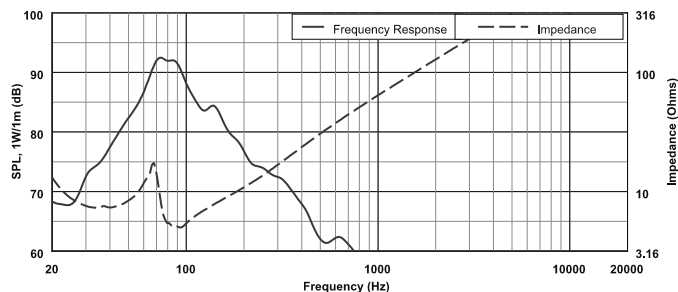
## Architects' & Engineers' Specifications:

The EVID C10.1 loudspeaker system shall be comprised of a baffle/bezel assembly, front grille, rear enclosure, transformer and 8-inch coaxial type loudspeaker. The loudspeaker shall meet the requirements of UL 2043. The loudspeaker will feature a 10-inch low-frequency polypropylene cone and a high-temperature voice-coil assembly. The loudspeaker shall meet the following criteria: AES power rating shall be 100 watts of band-limited pink noise (45 Hz to 150 Hz, 6 dB crest factor). Frequency response, uniform from 45 Hz to 150 Hz. Pressure sensitivity, 93 dB SPL at 1 meter on axis with one watt of band-limited pink noise from 80 Hz to 150 Hz (ref. 20 $\mu$ Pa). Minimum impedance, 6.0 ohms. The loudspeaker shall be 303 mm (11.9 in.) in diameter and 320 mm (12.6 in.) deep. Weight shall be 7.0 kg. (15.5 lb). The subwoofer ceiling loudspeakers packages shall be the Electro-Voice® model C10.1.

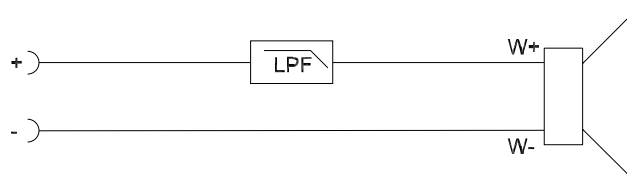
## Dimension Drawings:



## Frequency Response:



## Block Diagram:



## Performance Match:

- CPS-1 Amplifier
- CPS-2 Amplifier
- CPS-2T Amplifier
- MA-1206 Mixer Amplifier
- MA-1212 Mixer Amplifier

## EVID C10.1 Part Number

- 301263-000

**EV Electro-Voice®**

12000 Portland Avenue South, Burnsville, MN 55337  
Phone: 952/884-4051, Fax: 952/884-0043

[www.electrovoice.com](http://www.electrovoice.com)

© Telex Communications, Inc. 4/2002

Part Number 38110-128 Rev A

U.S.A. and Canada only. For customer orders, contact Customer Service at:

800/392-3497 Fax: 800/955-6831

Europe, Africa, and Middle East only. For customer orders, contact Customer Service at:

+ 49 9421-706 0 Fax: + 49 9421-706 265

Other International locations. For customer orders, contact Customer Service at:

+ 1 952 884-4051 Fax: + 1 952 887-9212

For warranty repair or service information, contact the Service Repair department at:

800/685-2606

For technical assistance, contact Technical Support at: 866/78AUDIO

Specifications subject to change without notice.