

Important Features

- Line-array enhanced coverage control
- Organic, unobtrusive shape
- Strong-Arm-Mount™ for easy, flexible aiming
- Full-bandwidth overload protection
- Weather resistant and paintable
- Dual LF transducers for extended bass and greater power handling and output
- Ti direct-radiator HF transducer, neodymium structure
- High sensitivity
- Magnetically shielded
- Zinc-plated grilles
- Transformer versions

Preliminary Specifications:

| | |
|-------------------------------------------|--------------------------------------------------------|
| Frequency Response ¹ (-10 dB): |65Hz–20kHz |
| Power Handling ² : |150 watts |
| Sensitivity ³ : |90dB, 1W/1m |
| Impedance: |8 ohms |
| Max SPL: |111dB |
| Horizontal Coverage ⁴ : |100° |
| Vertical Coverage ⁴ : |90° |
| LF Transducer: |2 x 4" (100 mm) |
| HF Transducer: |1" (25 mm) |
| Protection: |Full System |
| Suspension: |Multi-Axis |
| Swing x Rotation: |100° x 45° |
| Terminals: |Spring |
| Enclosure Material: |ABS (paintable) |
| "t" version wattage taps: |70V: 7.5W 700V/100V: 15W, 30W, 60W |
| Dim (H x W x D): |12.2" x 6.9" x 8.5" (310 mm x 175 mm x 216 mm) |
| Net Weight (each): |8.5 lbs (3.9 kg) |
| Shipping Weight (pair): |19 lbs (8.6 kg) |
| Included Accessories: |SAM™, hex key |

¹Half Space (wall mounting)

²Long Term Program Rating: 3 dB greater than continuous pink noise rating

³Avg: Half Space (wall mounting)

⁴When mounted with long axis in vertical plane



The EVID™ 4.2 is a very compact full-range loudspeaker ideal for indoor and outdoor applications requiring high-quality sound. Its shape and size make it nearly invisible for use in background/foreground music systems for restaurants, bars, patios, retail, and other applications

The 4.2's three-dimensional elliptic baffle symmetrically locates the 1-inch Ti direct radiator high-frequency element in front of and between the 4-inch low-frequency drivers. The careful shaping, location, and 10-degree splaying of the LF units provide coverage control by the resulting line array. Lobing is controlled by physically "shadowing" the LF transducers from each other over the bandwidth where they would normally exhibit interference. EVID™'s mounting system provides greater range of aiming angles in both horizontal and vertical planes than other types. The grille follows the use of curvature, with designed-in weather resistance and a hidden leash for safety.

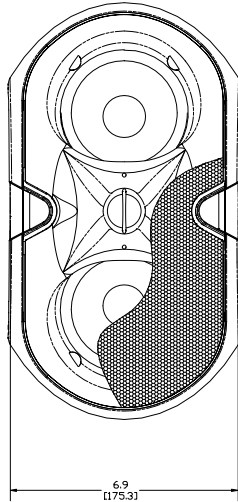
All models all available in black or white, and can easily be painted to match the décor. Transformer versions are also available for constant voltage systems.

Architects' and Engineers' Specifications

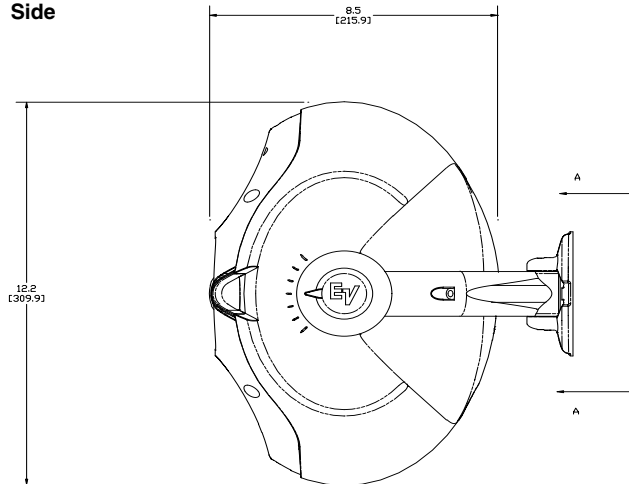
The loudspeaker shall be a two-way system consisting of two 4-inch (100 mm) low-frequency transducers, a 1-inch (25 mm) high-frequency transducer with a Coherent Coverage Waveguide, and a frequency-dividing network installed in a vented, line-array enclosure. The network shall include protection circuits for both the low-frequency and high-frequency transducers. The loudspeaker system shall meet the following performance criteria: Power handling, 150 watts long term program using IEC268-5 shaped pink noise; Frequency response, 65 Hz–20 kHz (-10 dB from rated sensitivity); Pressure sensitivity, 90 dB at one watt, 200 Hz–10 kHz at one meter; Impedance, 8 ohms nominal, 6 ohms minimum. The high-frequency transducer shall drive a

waveguide for even 100-degree (H) x 90-degree (V) coverage. The enclosure shall be molded of acrylic butyl styrene. The enclosure shall be 12.2" (310 mm) high, 6.9" (175 mm) wide, 8.5" (216 mm) deep. The finish shall be a paintable black or white. The grille shall be zinc plated and powder coated for corrosion resistance and be restrained with a safety leash. The loudspeaker shall be adjustable over a 100-degree (H) x 45-degree (V) range. The support bracket shall be low profile and integral with the enclosure. The system shall be weather resistant to MIL Spec 810 and IEC 529 test conditions.

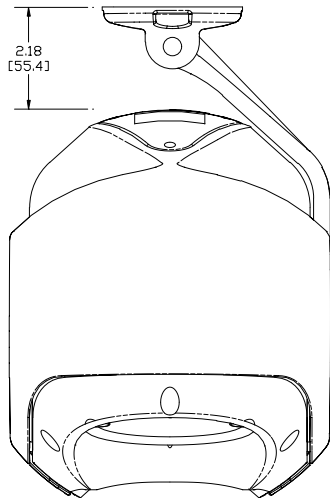
Front



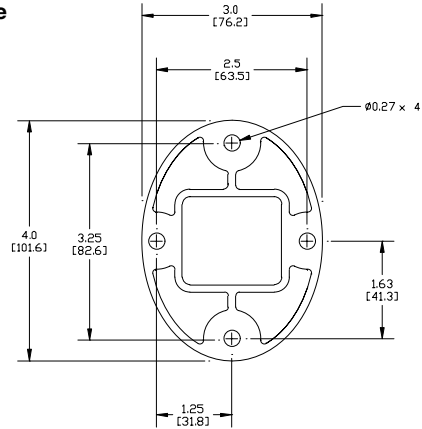
Side



Top



Wall Plate



View A-A

USA 12000 Portland Ave South, Burnsville, MN 55337, Phone: 952-884-4051, FAX: 952-884-0043
Canada 705 Progress Avenue, Unit 46, Scarborough, Ontario, Canada, M1H2X1, Phone: 416-431-4975, 800-881-1685, FAX: 416-431-4588
Switzerland Keltenstrasse 11, CH-2563 IPSACH, Switzerland, Phone: 41/32-331-6833, FAX: 41/32-331-1221
Germany Hirschberger Ring 45, D94315, Straubing, Germany, Phone: 49 9421-706 392, FAX: 49 9421-706 287
France Parc de Courcerin, Alle Lech Walesa, Lognes, 77185 Marne La Vallee, France, Phone: 33/1-6480-0090, FAX: 33/1-6480-4538
Australia Unit 23, Block C, Slough Business Park, Slough Avenue, Silverwater, N.S.W. 2128, Australia, Phone: 61/2-9648-3455, FAX: 61/2-9648-5585
Hong Kong Unit E & F, 21/F, Luk Hop Industrial Bldg., 8 Luk Hop St., San PO Kong, Kowloon, Hong Kong, Phone: 852-2351-3628, FAX: 852-2351-3329
Japan 2-5-60 Izumi, Suginami-ku, Tokyo, Japan 168, Phone: 81-3-3325-7900, FAX: 81-3-3325-7789
Singapore 3015A Ubi Rd 1, 05-10, Kampong Ubi Industrial Estate, Singapore 408705, Phone: 65-746-8760, FAX: 65-746-1206
Mexico Av. Parque Chapultepec #66-201, Col. El Parque Edo. Mex. 53390, Phone: (52) 5358-5434, FAX: (52) 5358-5588
UK 4, The Willows Centre, Willow Lane, Mitcham, Surrey CR4 4NX, UK, Phone: 44 181 640 9600, FAX: 44 181 646 7084
Africa, Mid-East 12000 Portland Ave South, Burnsville, MN 55337, Phone: 952-887-7424, FAX: 952-887-9212
Latin America 12000 Portland Ave South, Burnsville, MN 55337, Phone: 952-887-7491, FAX: 952-887-9212

U.S.A. and Canada only.
For customer orders, contact the Customer Service department at 800/392-3497 Fax: 800/955-6831
For warranty repair or service information, contact the Service Repair department at 800/685-2606
For technical assistance, contact Technical Support at 866/78 AUDIO
 Please refer to the Engineering Data Sheet for warranty information.
 Specifications subject to change without notice.

www.electrovoice.com • Telex Communications, Inc. • www.telex.com

© Telex Communications, Inc. 02/2001
 Part Number 38109-982 Rev A