



Important Features

- Line-array enhanced coverage control
- Organic, unobtrusive shape
- Strong-Arm-Mount™ for easy, flexible aiming
- Full-bandwidth overload protection
- Weather resistant and paintable
- Dual LF transducers for extended bass and greater power handling and output
- Ti direct-radiator HF transducer, neodymium structure
- High sensitivity
- Magnetically shielded
- Zinc-plated grilles
- Transformer versions

Preliminary Specifications:

Frequency Response ¹ (-10 dB):	85 Hz–20k Hz
Power Handling ² :	50 watts
Sensitivity ³ :	87dB, 1W/1m
Impedance:	8 ohms
Max SPL:	104 dB
Horizontal Coverage ⁴ :	120°
Vertical Coverage ⁴ :	100°
LF Transducer:	.2 x 3.5" (90 mm)
HF Transducer:	.75" (20 mm)
Protection:	Full System
Suspension:	Multi-Axis
Swing x Rotation:	100° x 45°
Terminals:	Spring
Enclosure Material:	ABS (paintable)
"t" version wattage taps:	5W 70V/10W 100V
Dim (H x W x D):	9.2" x 5.1" x 6.5" 234 mm x 127 mm x 165 mm
Net Weight (each):	3.3 lbs (1.5 kg)
Shipping Weight (pair):	8.6 lbs (3.9 kg)
Included Accessories:	SAM™, hex key

¹Half Space (wall mounting)

²Long Term Program Rating: 3 dB greater than continuous pink noise rating

³Avg: Half Space (wall mounting)

⁴When mounted with long axis in vertical plane



The EVID™ 3.2 is a very compact full-range loudspeaker ideal for indoor and outdoor applications requiring high-quality sound. Its shape and size make it nearly invisible for use in background/foreground music systems for restaurants, bars, patios, retail, and other applications

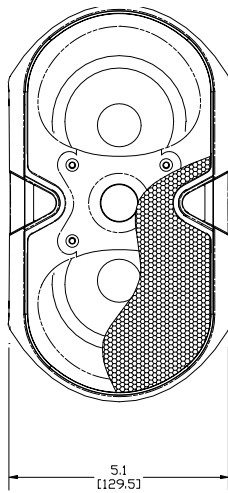
The 3.2's three-dimensional elliptic baffle symmetrically locates the .75-inch Ti direct radiator high-frequency element in front of and between the 3.5-inch low-frequency drivers. The careful shaping, location, and 10-degree splaying of the LF units provide coverage control by the resulting line array. Lobing is controlled by physically "shadowing" the LF transducers from each other over the bandwidth where they would normally exhibit interference. EVID™'s mounting system provides greater range of aiming angles in both horizontal and vertical planes than other types. The grille follows the use of curvature, with designed-in weather resistance and a hidden leash for safety.

All models all available in black or white, and can easily be painted the match the décor. Transformer versions are also available for constant voltage systems.

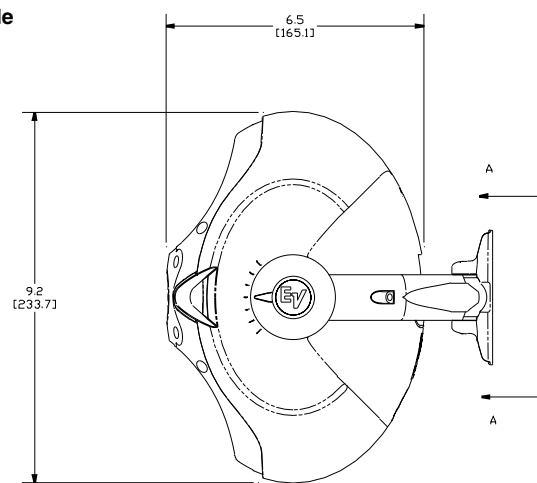
Architects' and Engineers' Specifications

The loudspeaker shall be a two-way system consisting of two 3.5-inch (89 mm) low-frequency transducers, a .75-inch (19-mm) high-frequency transducer, and a frequency-dividing network installed in a vented, line-array enclosure. The network shall include protection circuits for both the low-frequency and high-frequency transducers. The loudspeaker system shall meet the following performance criteria: Power handling, 50 watts long term program using IEC268-5 shaped pink noise; Frequency response, 85 Hz–20 kHz (-10 dB from rated sensitivity); Pressure sensitivity, 87 dB at one watt, 200 Hz–10 kHz at one meter; Impedance, 8 ohms nominal, 6 ohms minimum. The enclosure shall be molded of acrylic butyl styrene. The enclosure shall be 9.2" (234 mm) high, 5.1" (127 mm) wide, 6.5" (165 mm) deep. The finish shall be a paintable black or white. The grille shall be zinc plated and powder coated for corrosion resistance and be restrained with a safety leash. The loudspeaker shall be adjustable over a 100-degree (H) x 45-degree (V) range. The support bracket shall be low profile and integral with the enclosure. The system shall be weather resistant to MIL Spec 810 and IEC 529 test conditions.

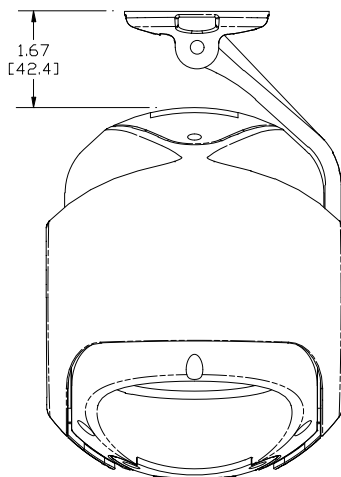
Front



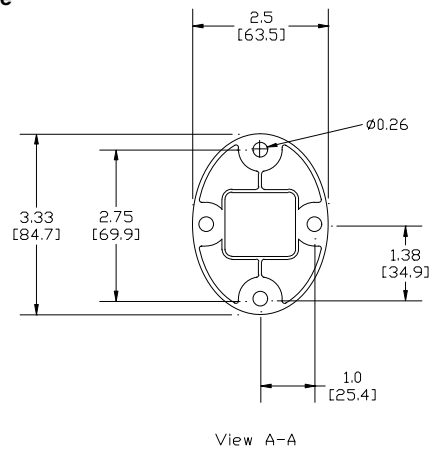
Side



Top



Wall Plate



USA	12000 Portland Ave South, Burnsville, MN 55337, Phone: 952-884-4051, FAX: 952-884-0043
Canada	705 Progress Avenue, Unit 46, Scarborough, Ontario, Canada, M1H2X1, Phone: 416-431-4975, 800-881-1685, FAX: 416-431-4588
Switzerland	Keltenstrasse 11, CH-2563 IPSACH, Switzerland, Phone: 41/32-331-6833, FAX: 41/32-331-1221
Germany	Hirschberger Ring 45, D94315, Straubing, Germany, Phone: 49 9421-706 392, FAX: 49 9421-706 287
France	Parc de Courcerin, Alle Lech Walesa, Lognes, 77185 Marne La Vallee, France, Phone: 33/1-6480-0090, FAX: 33/1-6480-4538
Australia	Unit 23, Block C, Slough Business Park, Slough Avenue, Silverwater, N.S.W. 2128, Australia, Phone: 61/2-9648-3455, FAX: 61/2-9648-5585
Hong Kong	Unit E & F, 21/F, Luk Hop Industrial Bldg., 8 Luk Hop St., San PO Kong, Kowloon, Hong Kong, Phone: 852-2351-3628, FAX: 852-2351-3329
Japan	2-5-60 Izumi, Suginami-ku, Tokyo, Japan 168, Phone: 81-3-3325-7900, FAX: 81-3-3325-7789
Singapore	3015A Ubi Rd 1, 05-10, Kampong Ubi Industrial Estate, Singapore 408705, Phone: 65-746-8760, FAX: 65-746-1206
Mexico	Av. Parque Chapultepec #66-201, Col. El Parque Edo. Mex. 53390, Phone: (52) 5358-5434, FAX: (52) 5358-5588
UK	4, The Willows Centre, Willow Lane, Mitcham, Surrey CR4 4NX, UK, Phone: 44 181 640 9600, FAX: 44 181 646 7084
Africa, Mid-East	12000 Portland Ave South, Burnsville, MN 55337, Phone: 952-887-7424, FAX: 952-887-9212
Latin America	12000 Portland Ave South, Burnsville, MN 55337, Phone: 952-887-7491, FAX: 952-887-9212

U.S.A. and Canada only.
For customer orders, contact the Customer Service department at
800/392-3497 Fax: 800/955-6831
For warranty repair or service information, contact the Service
Repair department at 800/685-2606
For technical assistance, contact Technical Support at 866/78 AUDIO
 Please refer to the Engineering Data Sheet for warranty information.
 Specifications subject to change without notice.