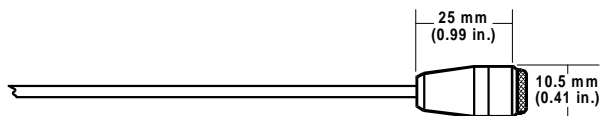


CO100

Miniature Electret Condenser Omnidirectional Microphone



- Microphone capsule measures less than 1 inch in length
- Durable 10-foot miniature cable provides excellent flex life
- Dual-power configuration (both phantom and/or battery) insures against signal loss

Description

The CO100 is a miniature, omnidirectional back-electret lavalier microphone designed specifically for broadcast and sound reinforcement applications where acoustic feedback problems are minimal. (The EV CS200 unidirectional lavalier microphone is designed for live sound applications where feedback is a problem.) The frequency response of the CO100 microphone provides a full-range, well-balanced sound character for clean and accurate sound reproduction. The microphone's omnidirectional polar characteristic provides a uniform output regardless of the direction of the sound. The CO100 is designed to attach to the performer's clothing using the supplied tie clasp or the optional 390 dual-microphone tie clasp. Supplied with each microphone is a foam wind or pop screen to reduce unwanted breath and wind noise. The microphone element is attached to the electronics module by a 3.1-meter (10-foot) length of black, durable miniature cable.

Powering the CO100

The battery/electronics module is constructed of steel tubing to form an extremely durable housing assembly for long reliable

use and superior emi/rfi attenuation. The CO100 may be powered by either an internal 1.5-volt AAA alkaline battery or external 9- to 52-volt phantom power. If desired, the CO100 can be operated in a dual mode employing both battery and phantom power. The advantage of this configuration is the insurance against loss of signal should the phantom voltage fail. When phantom voltage is present, the battery is deactivated; however, should the phantom voltage fail, the battery will automatically power the electronics module. The AAA alkaline battery will power the microphone for a minimum of 1000 hours.

Operation

To operate the CO100 by the simplest method, internal battery power, first open the battery compartment by turning the sleeve counterclockwise. Insert the AAA-size battery into the battery compartment, checking for correct polarity (see Figure 3). Close the compartment by turning the sleeve clockwise. Be sure to screw the sleeve firmly to avoid mechanical noise.

To operate the CO100 by phantom power: using high-quality balanced cable with XLR connectors, connect the electronics module to the mixer input which is providing the

phantom power. The connecting cable used should be standard two-conductor shielded type; the shield is used as ground return and must be connected properly to avoid electrical noise.

Battery

Because the current drain on the battery is so small (approximately 150 microamps) the battery may be left on continuously with a useful life expectancy of approximately 1000 hours. The battery may remain within the electronics module when phantom power is used.

Battery Replacement Guide

Duracell	MN2400
Eveready	E92
Bright Star	7526
Burgess	B24A
Ray-O-Vac	824
Panasonic	AM4
Varta	4003

Architects' and Engineers' Specifications

The microphone shall be a miniature, back-electret condenser with an omnidirectional polar pattern. The microphone shall be used

CO100 Miniature Electret Condenser Omnidirectional Microphone

in the manner of an ordinary tie clasp. The microphone shall have a frequency response from 30 Hz to 15 kHz. The unit shall have a balance output with a 150-ohm nominal impedance. The open-circuit output voltage shall be 2.0 mV/pascal. The microphone capsule shall be made of brass; the electronics module shall be made of steel. The microphone shall be permanently connected to its electronics module with a 3.1-m (10-ft) length of rugged, two-conductor, shielded, miniature audio cable. The microphone shall be supplied with a windscreen, tie clasp and storage pouch. The CO100 is specified.

Limited Warranty

Electro-Voice products are guaranteed against malfunction due to defects in materials or workmanship for a specified period, as noted in the individual product-line statement(s) below, or in the individual product data sheet or owner's manual, beginning with the date of original purchase. If such malfunction occurs during the specified period, the product will be repaired or replaced (at our option) without charge. The product will be returned to the customer prepaid. **Exclusions and Limitations:** The Limited Warranty does not apply to: (a) exterior finish or appearance; (b) certain specific items described in the individual product-line statement(s) below, or in the individual prod-

uct data sheet or owner's manual; (c) malfunction resulting from use or operation of the product other than as specified in the product data sheet or owner's manual; (d) malfunction resulting from misuse or abuse of the product; or (e) malfunction occurring at any time after repairs have been made to the product by anyone other than EVI Audio Service or any of its authorized service representatives. **Obtaining Warranty Service:** To obtain warranty service, a customer must deliver the product, prepaid, to EVI Audio Service or any of its authorized service representatives together with proof of purchase of the product in the form of a bill of sale or receipted invoice. A list of authorized service representatives is available from EVI Audio Service at 600 Cecil Street, Buchanan, MI 49107 (800/234-6831 or FAX 616/695-4743). **Incidental and Consequential Damages Excluded:** Product repair or replacement and return to the customer are the only remedies provided to the customer. Electro-Voice shall not be liable for any incidental or consequential damages including, without limitation, injury to persons or property or loss of use. Some states do not allow the exclusion or limitation of incidental or consequential damages so the above limitation or exclusion may not apply to you. **Other Rights:** This warranty gives

you specific legal rights, and you may also have other rights which vary from state to state.

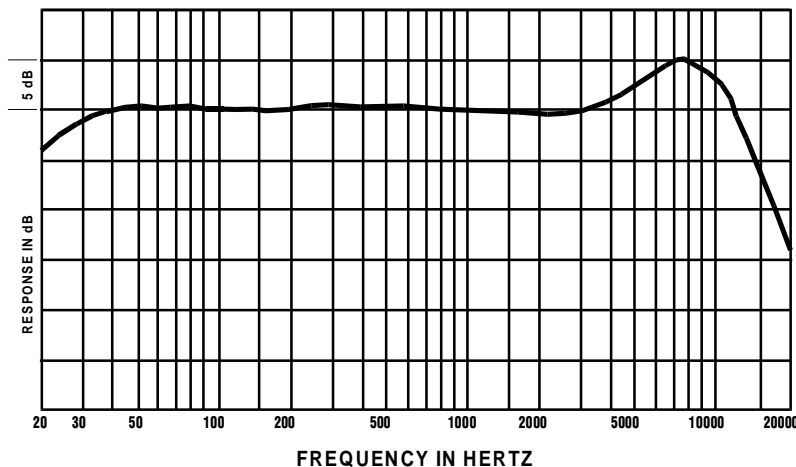
Electro-Voice Wired Microphones are guaranteed against malfunction from any cause for two (2) years from the date of original purchase. In addition, the Limited Warranty for the acoustic system contained in these microphones shall apply for the life of the product, defined as a period of ten (10) years from the date that the manufacture of the specific microphone has been discontinued. Any and all active electronics incorporated in these microphones are guaranteed against malfunction due to defects in materials or workmanship for a period of three (3) years from the date of original purchase. The Limited Warranty does not extend to cables, cable connectors, or switches. Additional details are included in the Uniform Limited Warranty statement.

For warranty repair or service information, contact the service repair department at: 616/695-6831 or 800/685-2606.

For technical assistance, contact Technical Support at 800/234-6831 or 616/695-6831, M-F, 8:00 a.m. to 5:00 p.m. Eastern Standard Time.

Specifications subject to change without notice.

Figure 1—Frequency Response



CO100 Miniature Electret Condenser Omnidirectional Microphone

Figure 2—Dimensions

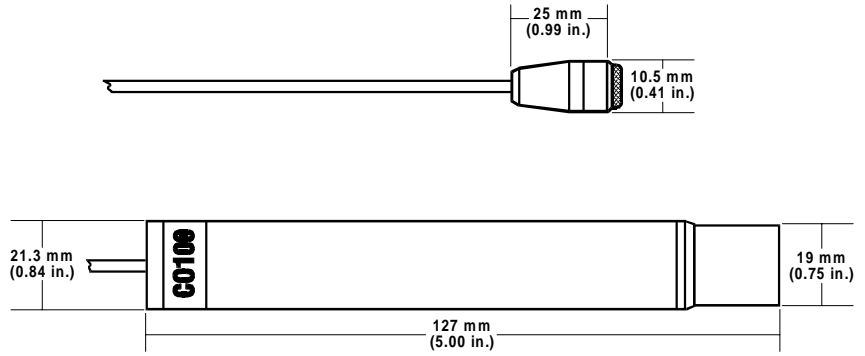


Figure 3—Battery Compartment

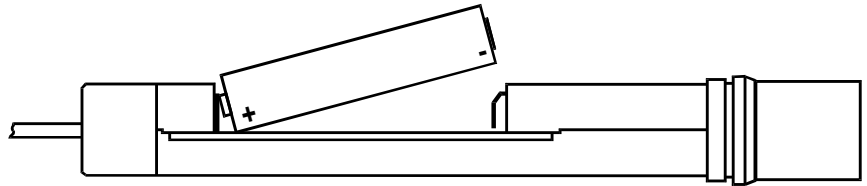


Figure 4—Polar Response

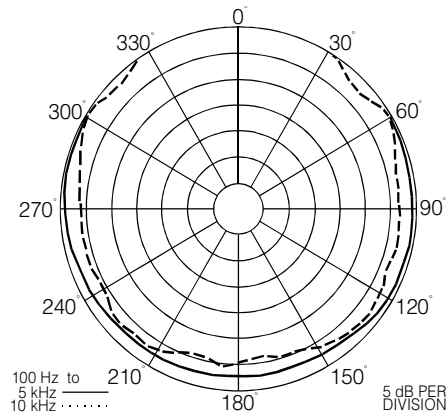
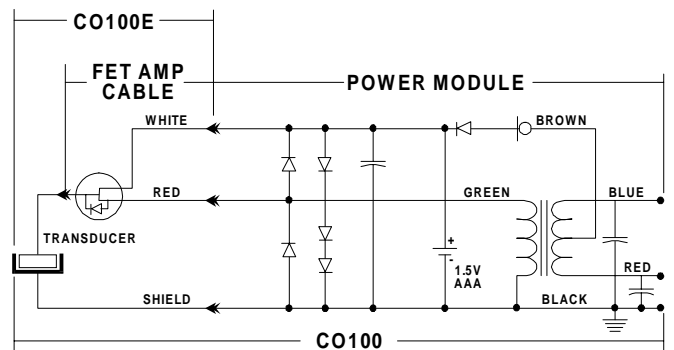
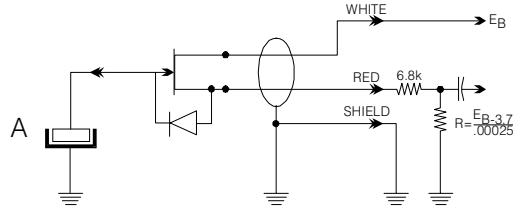


Figure 5—CO100E Schematic

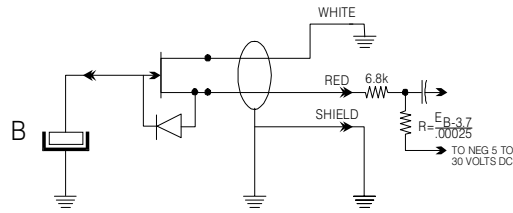


CO100 Miniature Electret Condenser Omnidirectional Microphone

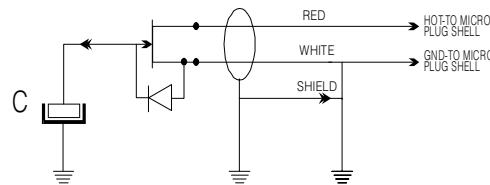
Figure 6—CO100E Typical Wiring Diagrams



POSITIVE VOLTAGE WITH RESPECT TO GROUND



NEGATIVE VOLTAGE WITH RESPECT TO GROUND



Specifications

Generating Element:

Condenser, back electret

Frequency Response (see Figure 1):

30-15,000 Hz

Polar Pattern (see Figure 4):

Omnidirectional

Sensitivity,

Open-Circuit Voltage:

2.0 mV/pascal at 1,000 Hz

Power level:

-51 dB at 1,000 Hz

(0 dB = 1mW/pascal)

Dynamic Range:

117 dB

Equivalent Noise:

24 dB SPL, typical, A-weighted

(0 dB = 20 micropascals)

Impedance:

150 ohms at 1,000 Hz

Maximum SPL, 1% Distortion

139 dB SPL

Power Requirements,

Battery:

1.5 V dc AAA internal (not supplied)

Phantom:

9-52 V dc

Current Consumption:

150 microamps

Battery Life:

Approximately 1000 hours

Case Color:

Nonreflecting black

Cable Color:

Nonreflecting black

Case Material,

Microphone Capsule:

Brass

Electronics Module:

Steel

**Dimensions (see Figure 2),
Electronics Module,**

Length:

127 mm (5.0 in.)

Body Diameter:

21.3 mm (0.84 in.)

Connector Diameter:

19 mm (0.75 in.)

Capsule Diameter:

10.5 mm (0.415 in.)

Cable Length:

3.1 m (10 ft.), permanently attached

Net Weight:

173.5 g (6.1 oz)

Shipping Weight:

376 g (13.3 oz)

Furnished Accessories:

Windscreen

Tie clasp

Storage pouch

Optional Accessories:

390 dual-microphone tie clasp



600 Cecil Street, Buchanan, MI 49107

616/695-6831, 616/695-1304 Fax

©EVI Audio 1998 • Litho in U.S.A.