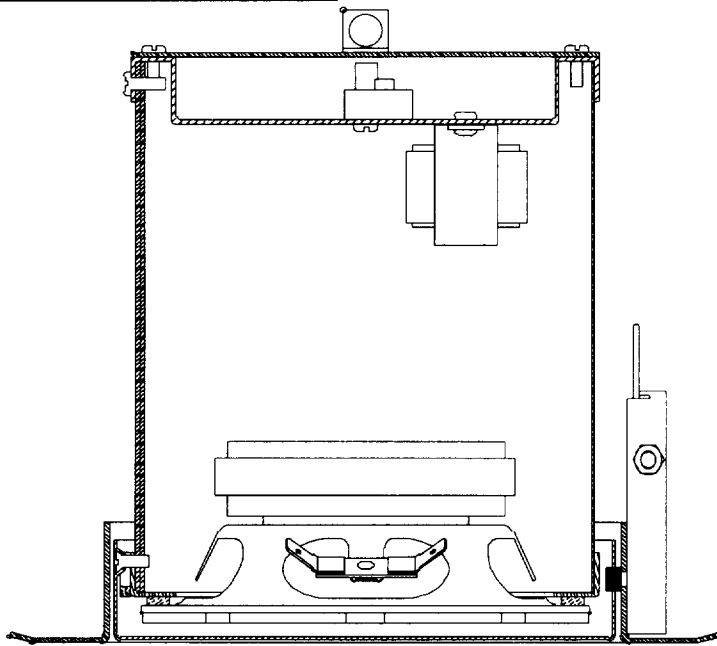


ALTEC[®] LANSING



EP405-8T EP405-16T

Ceiling Loudspeaker Systems

- 405-8H component in a 5¼-in. diameter enclosure
- Quick and easy to install
- Architecturally pleasing
- High SPL (101.2 dB, 16 watt, 1 meter)
- Multiple transformer taps
- System ships complete from factory
- Complies with UL 1480 for general signaling
- Complies with UL 2043 for use in air handling spaces

Description

The Altec Lansing EP405 series loudspeaker systems are complete full-range ceiling loudspeaker packages. The package consists of a spring/bezel assembly, grille, rear enclosure, 4-inch full-range loudspeaker and line-matching transformer. The loudspeakers feature 4-inch curvilinear cones with high-linearity treated surrounds together with high-temperature voice-coil assemblies. The 405 series speaker components provide wide and uniform dispersion throughout the critical speech bandwidth.

The EP405-8T utilizes a transformer that offers a selection of 1, 2, 4 and 8 watts delivered to the loudspeaker system using either 70-V or 100-V lines.

The EP405-16T utilizes a transformer that offers a selection of 2, 4, 8 and 16 watts delivered to the loudspeaker system using either 70-V or 100-V lines.

The bezel and perforated grille are finished in semigloss white powder-coated enamel. The rear enclosure is constructed from zinc-plated cold-rolled steel.

The rear enclosure provides an optimum internal volume ensuring extended low-frequency performance. It is constructed from heavy-gauge, rugged cold-rolled steel, rein-

forced to prevent panel resonance, and finished with rust-inhibiting zinc plating. A rear cover, with provisions for a junction box fitting, provides access to an 8-pin terminal block that allows direct connection to each of the transformer taps.

An optional tile bridge system is available for safe suspension of the EP405 series ceiling systems in a drop ceiling that uses mineral wool, or other fiber-based ceiling tiles.

These components have been designed to work together as a complete system in a wide range of different ceiling constructions. They provide wide dispersion, high-efficiency, high-maximum output, ease of installation, and wide range reproduction of music or voice.

Mounting the System in a Ceiling

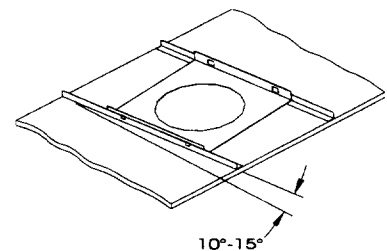
Using the T-bar Support Accessories

The Altec Lansing EP Series ceiling speaker systems have been designed to accommodate a wide range of ceiling tile and structural ceiling materials. The spring assemblies can accommodate a range of material thicknesses from 0.375-inch up to 1.25-inch thick.

Before beginning the installation, determine the type of material employed in the ceiling. For all "soft" ceiling tiles, it is

imperative that the optional CTB ceiling tile bridge be utilized. The support rails are 603 mm (23-3/4 in.) long and will support a loudspeaker system in a 2 ft x 4 ft (or 2 ft x 2 ft) tile. In addition, if angled at 10 to 15 degrees, the tile bridge can be used with 600-mm tiles (see Figure A).

Figure A



Ceilings constructed from particle board, gypsum board or plaster do not normally require the use of a tile bridge.

Preparing the Wires

The ceiling system is provided with an eight-way barrier strip that provides access to each transformer tap. Up to #10 gauge wire can be used, and a choice of both screw terminal or spring-loaded push terminals have been provided (see Figure B). The recommended strip length is 6.4 mm to 8.0 mm (0.250 in. to 0.312 in.).

EP405 Series Duplex Ceiling Loudspeaker Systems

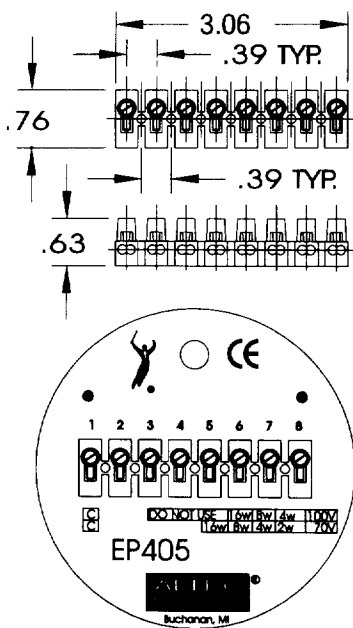
Using Conduit Fittings

The rear cover has provisions for use of a junction box, or gland-nut style fitting (see Figure E). This allows both solid or flexible conduit to be connected directly to the system. If local codes require the use of conduit, ensure that it is well supported. Too much unsupported weight may prevent the ceiling system from closing flush against the ceiling surface.

Selecting a Transformer Tap

The transformer tap of choice can be obtained by making connection between the ground terminal (#1) and any of the wattage taps indicated on the input label (#5, 6, 7 or 8). Either 70-V or 100-V lines can be used—refer to the input panel label to determine the appropriate wattage for the line voltage used (see Figure B).

Figure B

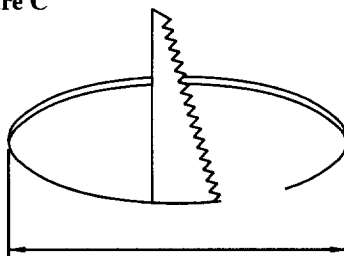


Cutting Mounting Holes

- The hole for the 4-inch systems should be 171 mm (6.75 in.) (See Figure C)
- The hole for the 6.5-inch systems should be 203 mm (8.00 in.)
- The hole for the 8-inch systems should be 241 mm (9.50 in.)

Note: The CTB-Series of tile support bridges provide a perfect hole template and will center the hole on the width of the tile.

Figure C



Check for electrical conduit/wiring and other hazards before cutting the hole. In addition, allow sufficient clearance for both the depth of the loudspeaker/enclosure and any electrical fittings used.

Installation

T-bar support

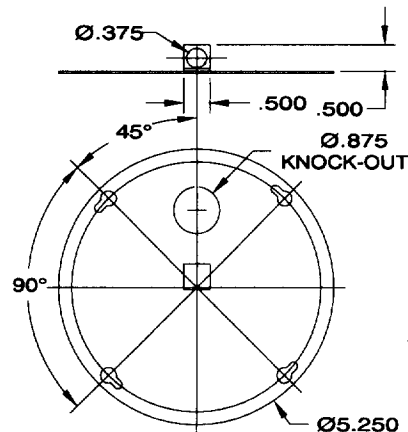
The T-bar system is comprised of two support bars and a support bridge. The bars are inserted through tabs formed in the two sides of the bridge and can be adjusted to allow the cut-out to be positioned at any point on the width of a ceiling tile. Additionally the tile bridge system can be moved along the drop ceiling support rails and positioned at any point along the length of a ceiling tile. The ceiling bridge should be positioned directly above the hole cut in the ceiling tile with the bridge resting directly against the rear of the tile.

Bezel / Spring Assembly

The bezel/spring assembly is installed from the “room side” by pushing the inner tubular section up through the hole cut in the ceiling tile. If a tile bridge is used, the bezel inner tube will also pass through the hole in the tile bridge. The top leg of the clamp springs ([3] for the 4-inch and 6.5-inch systems and [4] for the 8-inch system) should be released, one at a time, by reaching through the hole. Ensure that the metal arms are seated firmly, and evenly, on the ceiling

tile or ceiling tile/bridge combination (see Figure D). Then push the bottom leg of the clamp spring up through the slot in the spring bracket pushing slightly counter clockwise to lock in position. This keeps constant pressure on the spring leg.

Figure E



Loudspeaker System Assembly

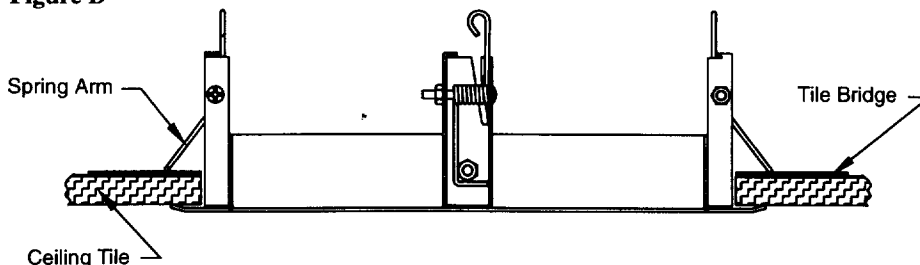
Before installing the ceiling loudspeaker system it is necessary to pull the hook up wire downwards through the hole in the ceiling and make electrical connection to the terminal block on the rear cover—as previously discussed. If required by local regulations, a mounting point is provided on the rear cover that can be used for the attachment of a safety chain, or wire (see Figure B).

All Altec Lansing EP Series loudspeaker systems can be installed by pushing this assembly through the central opening of the bezel assembly and then rotating the grille/loudspeaker until the “pins” on this item align with the “bayonet” slots on the bezel assembly (see Figure F).

Removing a Loudspeaker System Assembly

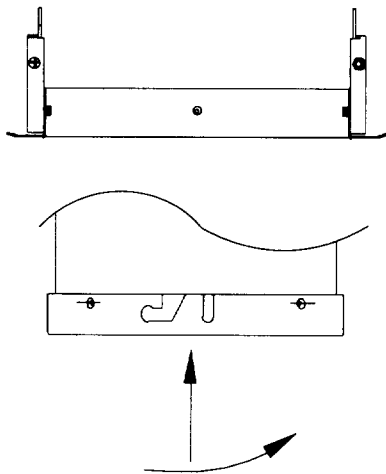
A loudspeaker system can be removed by pushing upwards on the grille and rotating the grille / loudspeaker combination until

Figure D



EP405 Series Duplex Ceiling Loudspeaker Systems

Figure F



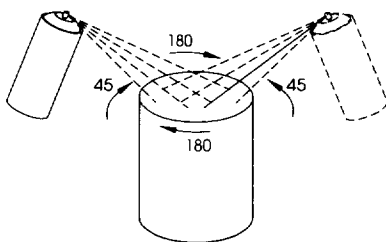
the pins on the grille escape the bayonet slots on the bezel assembly (see Figure F). Disconnect the safety chain or cable (if employed) and disconnect the electrical connection.

Painting Loudspeaker Assemblies

Bezels

The bezels may be painted before or after installation. Use conventional spray or roller equipment to paint the loudspeaker bezel when the rest of the ceiling is painted. Latex and oil based paints will adhere easily to the loudspeaker bezel, but can scratch if handled carelessly.

Figure G



Grille/Loudspeaker Assemblies

Brushes or rollers may clog the grilles, interfering with the acoustic performance of the ceiling system. Additionally a high-pressure spray system may penetrate through the cloth barrier, coming into contact with, and damaging, the paper cone. Instead, spray paint the grilles with lacquer or enamel paint in aerosol cans. (A professional, siphon feed

spray gun may also be used, provided the pressure is sufficiently low to prevent cone damage). Place the grille/loudspeaker system on a flat surface, facing upwards. Clean the grilles first to remove all possible contaminants. Apply the paint at a 45 degree angle to the grille surface, (see Figure G). Rotate the grille 180 degrees and apply a second coat of paint. Alternatively the grille can be removed from the loudspeaker enclosure by the removal of three self tapping screws in the vertical section of the grille (see Figure F).

Safety Regulations

All Altec Lansing EP Series of ceiling loudspeaker systems comply with the following standards:

- UL 1480 (general purpose category) [The UL category is ueay, the control number is 86R2 and the file number is E121872]
- UL 2043 (air handling spaces)
- NFPA 70 NEC 1993 Article 300-22 (C) and UL 2043: NFPA 90A-1993 Installation of air-conditioning and ventilation systems, section 2-3.10.1 (a) exception 2.

Packaging

Please note that Altec Lansing EP Series ceiling loudspeaker systems are packaged and sold in quantities of (6). In addition the systems are delivered in two containers - pack 1 of 2 which contains (6) grille / loudspeaker assemblies and pack 2 of 2 which contains (6) bezel assemblies. This arrangement allows the sound contractor to deliver the bezel (pack 2 of 2) to the construction site earlier for installation by a subcontractor (when appropriate). Pack 1 of 2 can be retained (locked in a secure part of construction site or on the sound contractors premises) until the completion date when the sound contractor can complete the installation. The optional tile bridge CTB-4 (packaged in quantities of six) must be ordered separately.

Architect's and Engineer's Specifications

EP405-8T/EP405-16T Duplex Ceiling Loudspeaker Systems

The loudspeaker systems shall comprise of a spring/bezel assembly, front grille, rear enclosure, transformer and 4-inch full-range loudspeaker. The loudspeaker system shall meet the requirements of UL 2043. The loudspeaker will feature a 4-inch curvilinear cone and a high-temperature voice-coil assembly. The loudspeaker shall meet the following criteria. AES power rating shall be 16 watts of band-limited pink noise (105 Hz to 15 kHz, 6 dB crest factor). Frequency response, uniform from 105 Hz to 15 kHz. Pressure sensitivity, 90 dB SPL at 1 meter (88 dB at 4 feet) on axis with one watt of band-limited pink noise from 500 Hz to 3 kHz (ref. 20 μ Pa). Minimum impedance, 7.0 ohms. The loudspeaker shall be 203 mm (8.00 in.) in diameter and 184 mm (7.25 in.) deep. Weight shall be 2.0 kg (4.5 lb) [EP405-8T] and 2.3 kg (5.0 lb) [EP405-16T]. The ceiling loudspeakers packages shall be the Altec Lansing models EP405-8T with an 8-watt transformer; and EP405-16T with a 16-watt transformer.

Warranty (Limited)

Altec Lansing products are guaranteed against malfunction due to defects in materials or workmanship for a specified period, as noted in the individual product-line statement(s) below, or in the individual product data sheet or owner's manual, beginning with the date of original purchase. If such malfunction occurs during the specified period, the product will be repaired or replaced (at our option) without charge. The product will be returned to the customer prepaid.

Exclusions and Limitations: The Limited Warranty does not apply to: (a) exterior finish or appearance; (b) certain specific items described in the individual product-line statement(s) below, or in the individual product data sheet or owner's manual; (c) malfunction resulting from use or operation of the product other than as specified in the product data sheet or owner's manual; (d) malfunction resulting from misuse or abuse of the product; or (e) malfunction occurring

EP405 Series Duplex Ceiling Loudspeaker Systems

at any time after repairs have been made to the product by anyone other than EVI Audio Service or any of its authorized service representatives.

Obtaining Warranty Service: To obtain warranty service, a customer must deliver the product, prepaid, to Mark IV Audio Service or any of its authorized service representatives together with proof of purchase of the product in the form of a bill of sale or receipted invoice. A list of authorized service representatives is available from EVI Audio Service at 10500 W. Reno Avenue, Oklahoma City, OK 73127 (800/845-8727 or Fax 405/577-3274). **Incidental and Consequential Damages Excluded:** Product repair or replacement and return to the customer are

the only remedies provided to the customer. Altec Lansing shall not be liable for any incidental or consequential damages including, without limitation, injury to persons or property or loss of use. Some states do not allow the exclusion or limitation of incidental or consequential damages so the above limitation or exclusion may not apply to you.

Other Rights: This warranty gives you specific legal rights, and you may also have other rights which vary from state to state.

Altec Lansing Speakers and Speaker Systems are guaranteed against malfunction due to defects in materials or workmanship for a period of five (5) years from the date of original purchase. The Limited Warranty does not apply to burned voice coils or malfunctions such as cone and/or coil damage resulting

from improperly designed enclosures. Altec Lansing active electronics associated with the speaker systems are guaranteed for three (3) years from the date of original purchase. Additional details are included in the Uniform Limited Warranty statement.

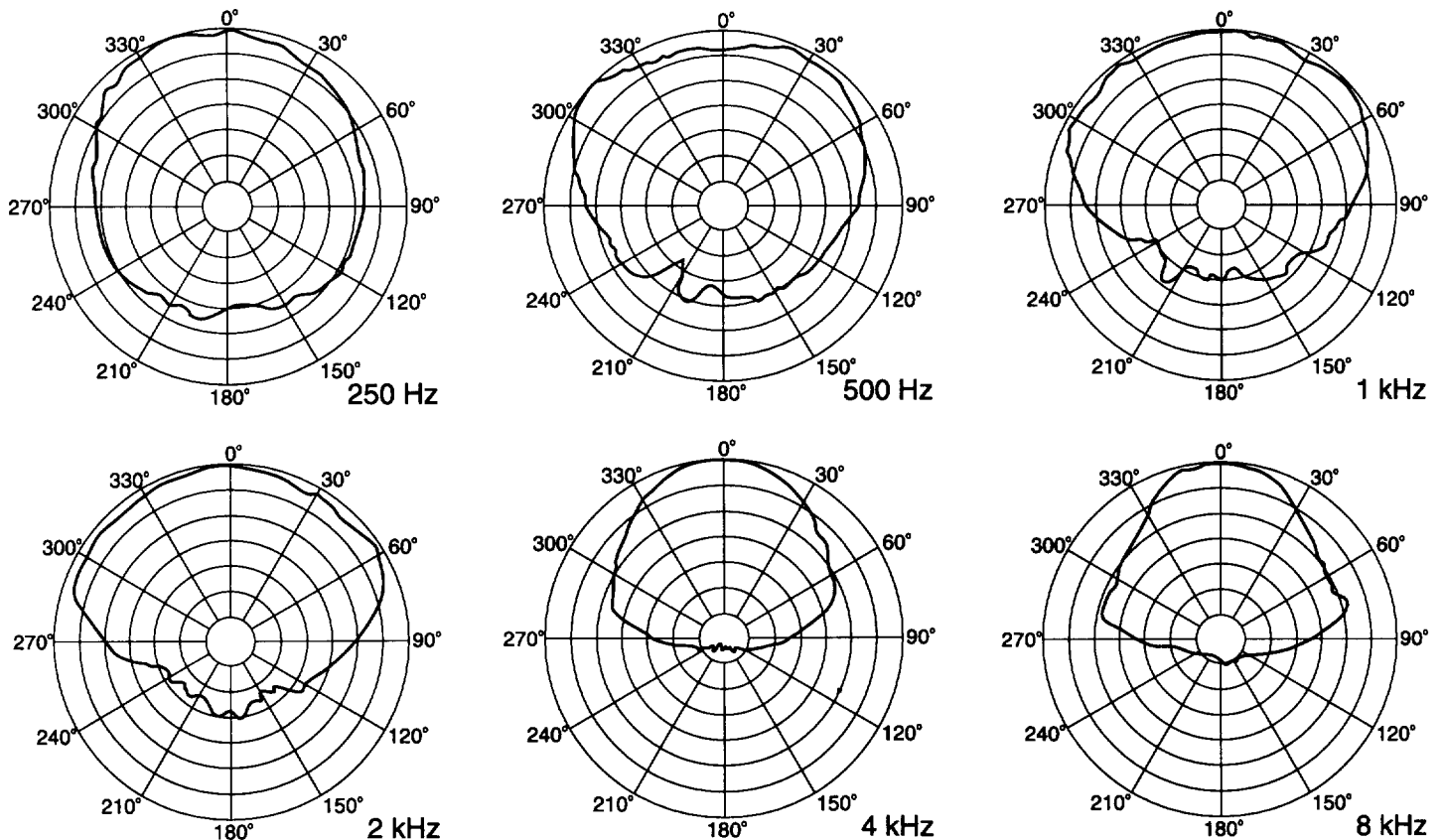
Altec Lansing Accessories are guaranteed against malfunction due to defects in materials or workmanship for a period of one (1) year from the date of original purchase. Additional details are included in the Uniform Limited Warranty statement.

For technical assistance, contact Technical Support at 800/234-6831 or 616/695-6831, M-F, 8:00 a.m. to 5:00 p.m. Eastern Standard time.

Specifications subject to change without notice.

Figure 1—Polar Response

Scale - 5 dB per division



EP405 Series Duplex Ceiling Loudspeaker Systems

EP405 Series Duplex® Ceiling Loudspeaker Systems

Figure 2 — Frequency

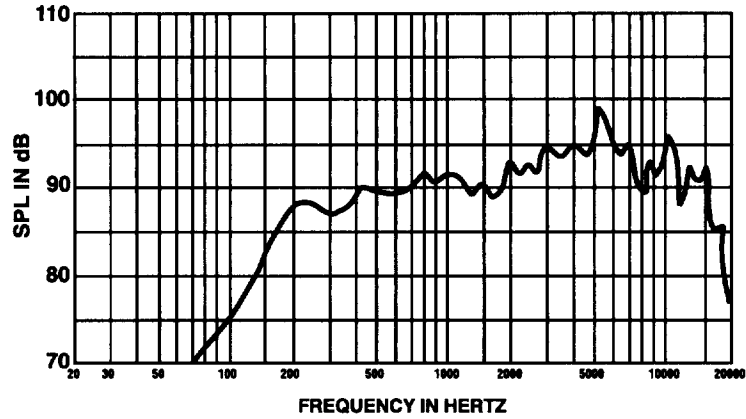


Figure 3 — Impedance

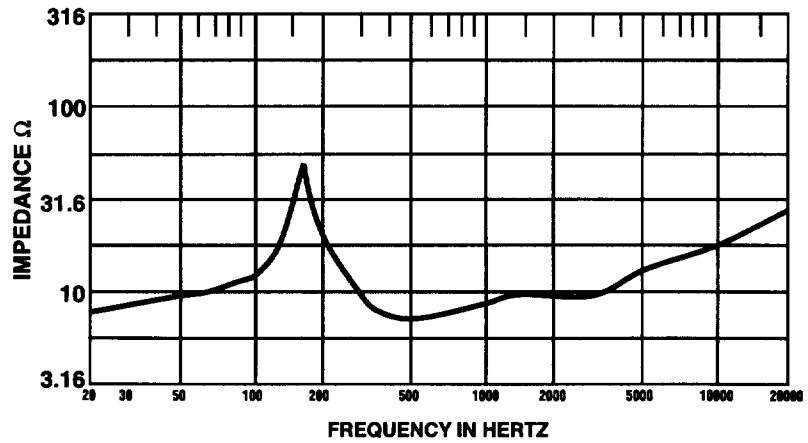


Figure 4 — Beamwidth

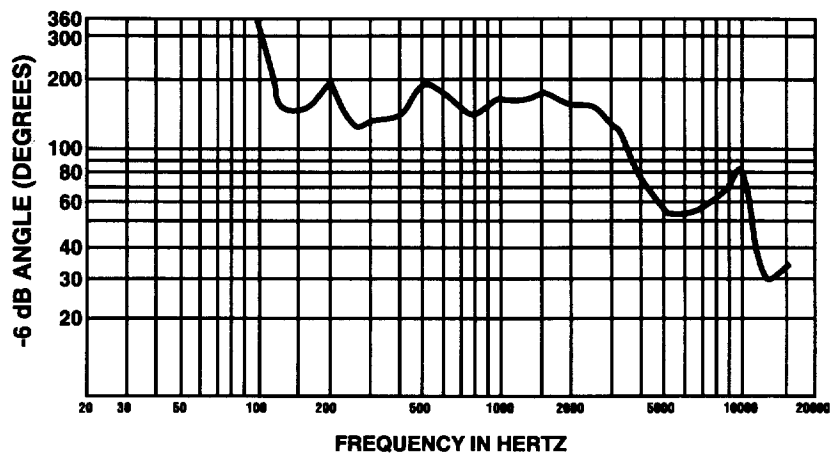
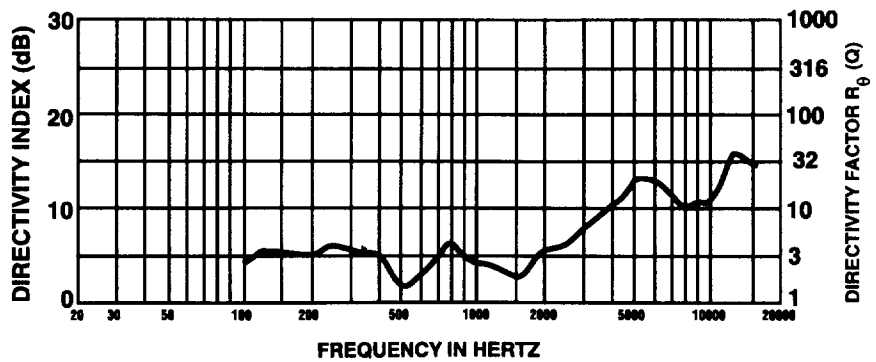


Figure 5 — Directivity



EP405 Series Duplex Ceiling Loudspeaker Systems

Figure 6 — Dimensions

EP405 Series Duplex® Ceiling Loudspeaker Systems

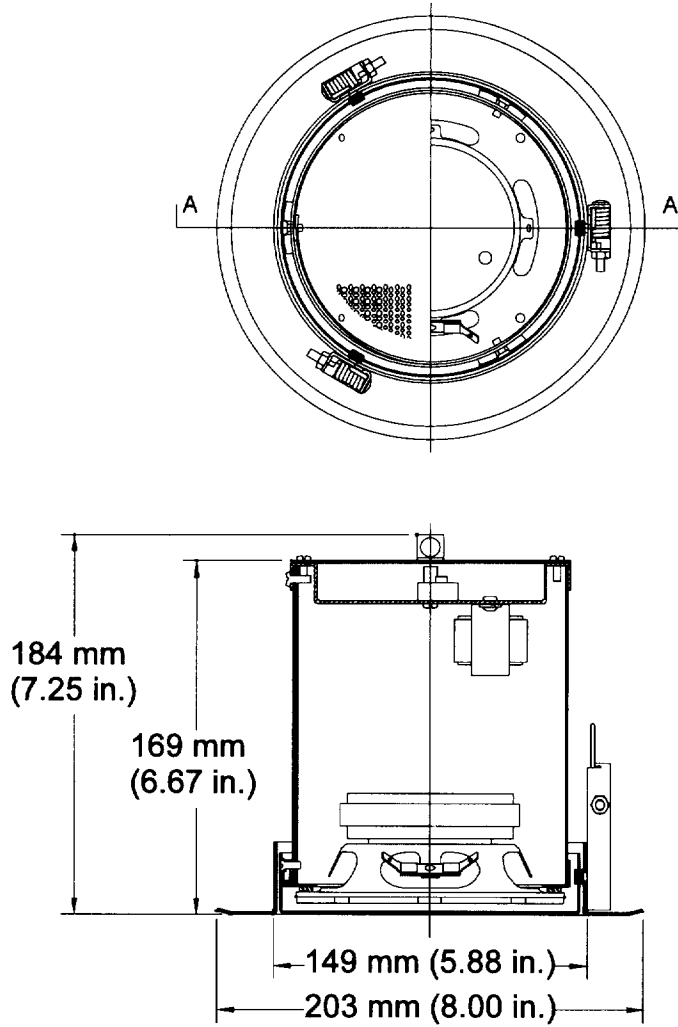
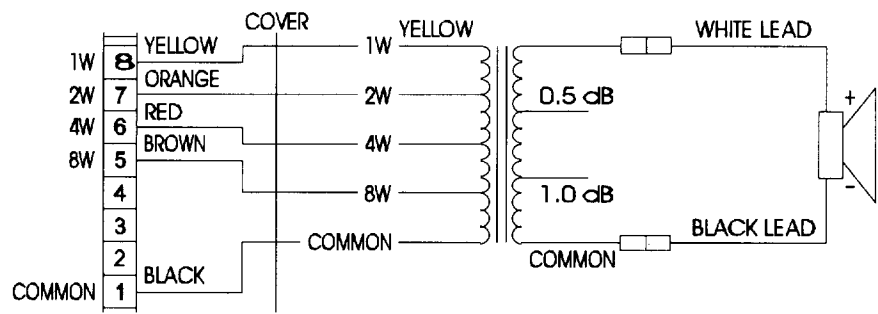
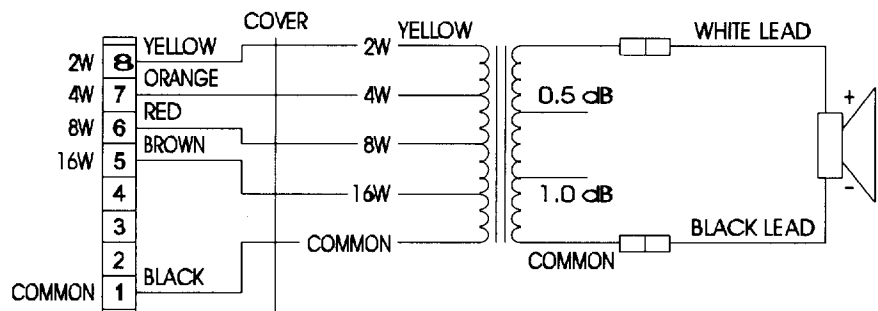


Figure 7 — Wiring Diagram



EP405-8T



EP405-16T

EP405 Series Duplex Ceiling Loudspeaker Systems

Specifications

Versions Available:

EP405-8T
EP405-16T

System Type:

Full range, ceiling loud speaker system

Pressure sensitivity (1 W, 500 Hz-3,000 Hz, ref. 20 mPa, see Note 1):
90 dB SPL

Frequency Response (see Figure 1, Note 2):

105-15,000 Hz

Power Handling, (105 Hz - 15 kHz, AES method, see Note 3):

16 watts, Maximum Long Term

Output, (16 watts input, 1 m, ref. 20 μ Pa, see Note 4):

101.2 dB SPL

Impedance,

Nominal:

8.0 ohms

Minimum at 650 Hz:

7.0 ohms

Components:

4-inch, high-efficiency, low-frequency driver with a full-range curvilinear cone

Input Terminals:

Eight-way barrier strip with screw, or push type, connectors that will accept up to two #10 AWG wires

Accessories:

CTB-4 Ceiling Tile Bridge

Dimensions:

Loudspeaker diameter:

203 mm (8.0 in.)

Depth:

184 mm (7.25 in.)

Net Weight:

EP405-8T:

2.3 kg (5.0 lb)

EP405-16T:

2.7 kg (6.0 lb)

Shipping Weight:

EP405-8T:

2.5 kg (5.5 lb)

EP405-16T:

3.0 kg (6.5 lb)

Finish:

White powder-coated enamel

Transformer Specifications

Frequency Response:

65 to 15,000 Hz, ± 3 dB

Insertion Loss:

<1.0 dB

Secondary Impedance:

8 ohms

Primary Impedances and Power Drawn for EP405-8T and EP405-16T:

15708E	15716E
5,000 ohms	2,500 ohms
1.0 watts	2.0 watts
2,500 ohms	1,250 ohms
2.0 watts	4.0 watts
1,250 ohms	625 ohms
4.0 watts	8.0 watts
625 ohms	312 ohms
8.0 watts	16.0 watts

Connection Type:

Eight-way barrier strip that will accept (2) #10 gauge wires

Note 1

Pink noise signal, one watt calculated using E^2/Z_{min} . 3.16 meter measurement distance referred to one meter.

Note 2

The directional response was measured in an anechoic environment at a distance of 6.1 meters (20 feet) using 1/3-octave filtered pink noise.

Note 3

This system rating patterned after the ANSI/EIA RS-426-A 1980 method where the test signal is pink noise with a 6-dB crest factor over the bandwidth of the system, with power calculated using $E^2/R_E \times 1.15$, for eight hours. (Where E is the RMS test voltage and R_E is the dc resistance of the woofer voice-coil.)

Note 4

This measurement made under the same conditions as pressure sensitivity, but at rated power, and takes into account any power compression effects due to non-linearities in the system.