

1783

Line Output
Module



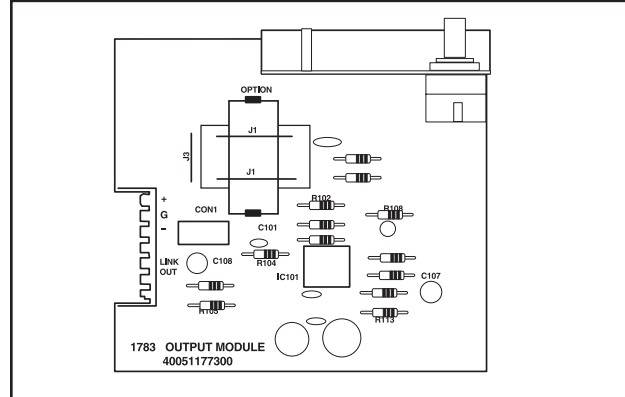
COMMERCIAL

General Product Description

Output Module. The Electro-Voice® 1783 line output module provides the drive capability necessary to interface with other professional equipment. The electronically balanced output stage provides a low source impedance to drive subsequent stages. If transformer isolation is necessary, the module's circuit board accommodates the optional PC-mount 1786 output isolation transformer. The continuously variable output level control is local to the module permitting independent adjustment of each line output.

Architects' and Engineers' Specifications

The line output module shall have a low source impedance, continuous variable gain, and the capability for adding a 1786 output isolation transformer. In addition, the module shall be fully compatible with the 1700-series mixer/preamplifier and mixer/power amplifier mainframes, and accept any one of the 1790 series input connectors.



The line output module shall meet the following performance criteria. Gain: 26 dB, continuously variable. Frequency response: 50 Hz to 20 kHz, ±1 dB. Output source impedance: <50 ohms; Noise floor: <-80 dBm. Total Harmonic Distortion (THD): <.05%, (<.1% with 1786), Ref. 1 kHz, +8 dBm output, 30 kHz low pass filter.

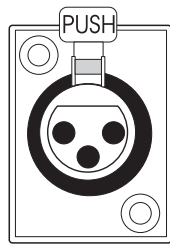
The line output module shall be the Electro-Voice Model **1783**.

Specifications:

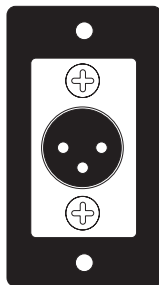
- Output Type:** Electronically balanced
- Output Source impedance:** <50 ohms
- Nominal Output Level/Load impedance:** +8 dBm/600 ohms
(Ref. 1 kHz, 0 dBm = 0.775 Vrms across 600 ohm load, output level control at maximum, 100 mVrms input)
- Maximum Output Level:** +24 dbm
- Frequency Response** (Ref. 1 kHz, +8 dBm output)
 - Without 1786
 - ±1 dB 20 Hz - 25 kHz
 - ±3 dB 10 Hz - 50 kHz
 - Without 1786
 - ±1 dB 30 Hz - 20 kHz
 - ±3 dB 15 Hz - 40 kHz
- Total Harmonic Distortion (THD):** (Ref. 1 kHz, +8 dBm output, output level control at maximum, 30 kHz low pass filter)
 - Without 1786
 - 20 Hz - 20 kHz <0.05%
 - Without 1786
 - 20 Hz - 20 kHz <0.1%
- Signal-to-Noise Ratio:** >88 dBm
(Below +8 dBm output, output level control at maximum, A-weighted)

- Control:** 1 - Output level control
- Weight (Net):** 2.2 oz (63 gr)
- Power Requirements:** ±18 VDC at 20 MA.
(Supplied by mainframe)
- Included Accessories:** 2 - mounting screws
..... (for potentiometer bracket)
- Optional Accessories:** 1786 Output Isolation Transformer
- 1786 OUTPUT ISOLATION TRANSFORMER**
 - Impedance Ratio:** 600 ohm:600 ohm
..... (Primary: Secondary)
 - Frequency Response:** (Ref. 1 kHz, +18 dBm output)
 - ±1 dB 20 Hz - 20 Hz
 - ±3 dB 10 Hz - 40Hz
 - Total Harmonic Distortion (THD):** (Ref. 1 kHz, +18 dBm output)
 - 20 Hz - 20 Hz <0.5%
 - 50 Hz - 20 Hz <0.1%
 - Insertion Loss:** <1 dB
(Ref. 1 kHz, +18 dBm output)

Specifications are subject to change without notice.



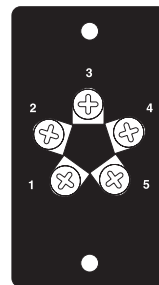
1791



1792



1793



1794

Connectors for use with 1783

USA 12000 Portland Ave South, Burnsville, MN 55337, Phone: 952-884-4051, FAX: 952-884-0043
Canada 705 Progress Avenue, Unit 46, Scarborough, Ontario, Canada, M1H2X1, Phone: 416-431-4975, 800-881-1685, FAX: 416-431-4588
Switzerland Kellenstrasse 11, CH-2563 IPSACH, Switzerland, Phone: 41/32-331-6833, FAX: 41/32-331-1221
Germany Hirschberger Ring 45, D94315, Straubing, Germany, Phone: 49 9421-706 392, FAX: 49 9421-706 287
France Parc de Courcerin, Alle Lech Walesa, Lognes, 77185 Marne La Vallee, France, Phone: 33/1-6480-0090, FAX: 33/1-6480-4538
Australia Unit 23, Block C, Slough Business Park, Slough Avenue, Silverwater, N.S.W. 2128, Australia, Phone: 61/2-9648-3455, FAX: 61/2-9648-5585
Hong Kong Unit E & F, 21/F, Luk Hop Industrial Bldg., 8 Luk Hop St., San PO Kong, Kowloon, Hong Kong, Phone: 852-2351-3628, FAX: 852-2351-3329
Japan 2-5-60 Izumi, Suginami-ku, Tokyo, Japan 168, Phone: 81-3-3325-7900, FAX: 81-3-3325-7789
Singapore 3015A Ubi Rd 1, 05-10, Kampong Ubi Industrial Estate, Singapore 408705, Phone: 65-746-8760, FAX: 65-746-1206
Mexico Av. Parque Chapultepec #66-201, Col. El Parque Edo. Mex. 53390, Phone: (52) 5358-5434, FAX: (52) 5358-5588
UK 4, The Willows Centre, Willow Lane, Mitcham, Surrey CR4 4NX, UK, Phone: 44 181 640 9600, FAX: 44 181 646 7084
Africa, Mid-East 12000 Portland Ave South, Burnsville, MN 55337, Phone: 952-887-7424, FAX: 952-887-9212
Latin America 12000 Portland Ave South, Burnsville, MN 55337, Phone: 952-887-7491, FAX: 952-887-9212

www.electrovoice.com • Telex Communications, Inc. • www.telex.com

© Telex Communications, Inc. 02/2001
 Part Number 38109-876 Rev A



Electro-Voice®

U.S.A. and Canada only.
 For customer orders, contact the Customer Service department at
 800/392-3497 Fax: 800/955-6831
 For warranty repair or service information, contact the Service
 Repair department at 800/685-2606
 For technical assistance, contact Technical Support at 866/78 AUDIO
 Please refer to the Engineering Data Sheet for warranty information.
 Specifications subject to change without notice.