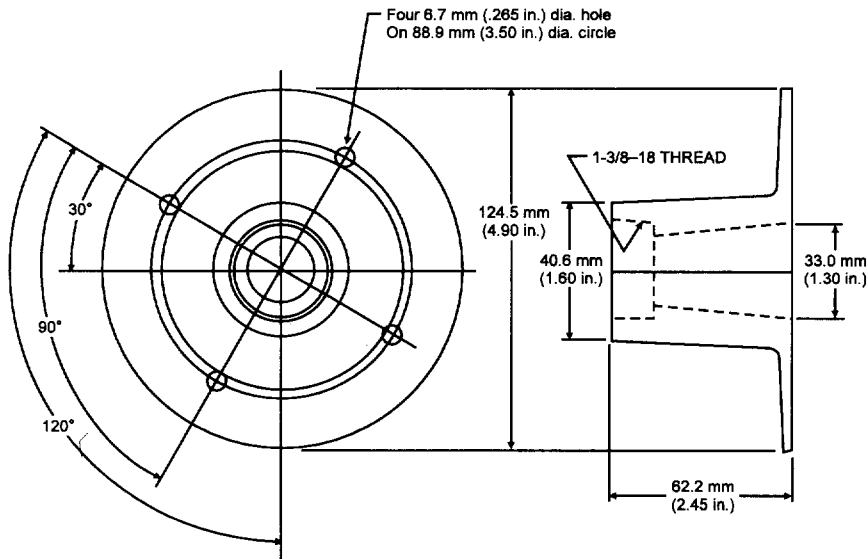


ADH-3 Driver-to-Horn Adapter



Description

The ADH-3 allows use of 1 $\frac{3}{8}$ -18 screw-on drivers with the Electro-Voice HR series constant-directivity horns. The HR horns have 1.3-inch entrance and a four-hole mounting flange. The ADH-3 may also be used with Altec 1.4-inch/three-hole horns by drilling the appropriate mating holes in the ADH-3.

Mounting

Before attaching the adapter to the horn, the throat gasket must be installed on the "horn" end of the adapter. To install the gasket, simply remove the protective paper from the adhesive side of the gasket, center the gasket over the adapter, and press firmly.

Warranty (Limited)

Electro-Voice products are guaranteed against malfunction due to defects in materials or workmanship for a specified period, as noted in the individual product-line statement(s) below, or in the individual product data sheet or owner's manual, beginning with the date of original purchase. If such malfunction occurs during the specified period, the product will be repaired or replaced (at our option) without charge. The product

will be returned to the customer prepaid.

Exclusions and Limitations: The Limited Warranty does not apply to: (a) exterior finish or appearance; (b) certain specific items described in the individual product-line statement(s) below, or in the individual product data sheet or owner's manual; (c) malfunction resulting from use or operation of the product other than as specified in the product data sheet or owner's manual; (d) malfunction resulting from misuse or abuse of the product; or (e) malfunction occurring at any time after repairs have been made to the product by anyone other than Mark IV Audio Service or any of its authorized service representatives. **Obtaining Warranty Service:** To obtain warranty service, a customer must deliver the product, prepaid, to Mark IV Audio Service or any of its authorized service representatives together with proof of purchase of the product in the form of a bill of sale or receipted invoice. A list of authorized service representatives is available from Mark IV Audio Service at 600 Cecil Street, Buchanan, MI 49107 (800/234/6831 or FAX 616/695/4743). **Incidental and Consequential Damages Excluded:** Product repair or replacement and return to the customer are the only remedies provided

to the customer. Electro-Voice shall not be liable for any incidental or consequential damages including, without limitation, injury to persons or property or loss of use. Some states do not allow the exclusion or limitation of incidental or consequential damages so the above limitation or exclusion may not apply to you. **Other Rights:** This warranty gives you specific legal rights, and you may also have other rights which vary from state to state.

Electro-Voice Accessories are guaranteed against malfunction due to defects in materials or workmanship for a period of one (1) year from the date of original purchase. Additional details are included in the Uniform Limited Warranty statement.

For warranty repair, service information, or a listing of the repair facilities nearest you, contact the service repair department at: 616/695-6831 or 800/685-2606.

For technical assistance, contact Technical Support at 800/234-6831 or 616/695-6831, M-F, 8:00 a.m. to 5:00 p.m. Eastern Standard time.

Specifications subject to change without notice.

ADH-3 Driver-to-Horn Adapter

Specifications

Dimensions:

- 124.5 mm (4.90 in.) overall diameter
- 62.2 mm (2.45 in.) overall length
- 1 $\frac{3}{8}$ -18 screw-on drivers

Material:

Zinc die-cast

Finish:

Black baked enamel

Net Weight:

0.69 kg (1.52 lb)

Shipping Weight:

0.75 kg (1.65 lb)

Hardware Supplied:

- ADH-3 adapter, painted
- (4) 1/4-in. flat washers, plated
- (4) 1/4-20 nuts, plated, steel
- (4) 1/4-20 x 1-1/4-in. long bolts, plated
- (1) throat gasket

ADH-3 Driver-to-Horn Adapter

Electro-Voice®

600 Cecil Street, Buchanan, MI 49107

800/234-6831, 616/695-6831, 616/695-1304 Fax