

SERIES 250 SINGLE-ZONE-PAGING DESK MICROPHONES

GENERAL DESCRIPTION

The Series 250 Desk Microphones are designed for single-zone paging applications. Each microphone housing is constructed of a strong, one-piece, die-cast zinc alloy with a satin-chrome finish. All three models are low-impedance units.

Each model is equipped with a four-conductor, two-shielded cable to allow the installer to wire for external relay operation. All models are equipped with a front press-to-talk bar with a locking lever located on the side of the microphone base.

All Series 250 Microphones use rugged, yet sensitive dynamic microphone elements that are capable of withstanding extremes of both temperature and humidity. All models should be used with amplifiers having an input impedance of 50 to 250 ohms.

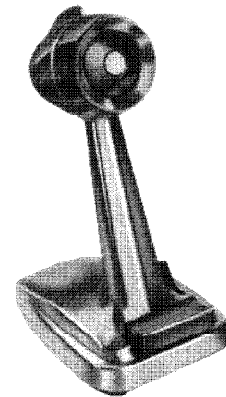
NOTE

Care must be taken when installing the microphone to ensure that cables do not run parallel to ac power lines, as hum may be induced into the audio circuit.

DESIGN FEATURES

MODEL 251/258

The Model 251 is a low-impedance, omnidirectional microphone with a unique lift-to-talk switch in the base which keys the mike when it is picked up. It also includes a press-to-talk switch and lock-on lever with normally open switching for relay control. If the lift-to-talk feature is not desired for a particular application, it may be disabled with the switch located underneath the microphone.



The Model 258 is the same as the 251 except it provides normally closed line shorting and normally open relay switching.

MODEL 253

The Model 253 is the same as the 251 except it excludes the lift-to-talk feature.

WARNING

TO PREVENT THE POSSIBILITY OF ELECTRICAL SHOCK, NEVER OPERATE ANY BASE STATION MICROPHONE BEFORE FIRST CONNECTING BOTH AMPLIFIER CHASSIS AND OTHER ASSOCIATED EQUIPMENT TO EARTH GROUND.

SPECIFICATIONS

Element: Dynamic.

Polar Pattern: Omnidirectional.

Frequency Response: 60 Hz to 10 kHz.

Output Level at 1 kHz:

Open Circuit: -80 dB (0 dB = 1 V/ μ bar)

Power Level: -59 dB (0 dB = 1 mW/10 μ bars)

EIA Sensitivity: -152 dB.

SPECIFICATIONS (CONT)

Impedance: Low (150 to 200 ohms).

Switches: Models 251/258: Push-to-talk and lift-to-talk. Model 253: Push-to-talk.

Cable: Models 251/258: 20-feet (6.1 m) of 4-conductor, 2-shielded, black PVC jacket. Model 253: 7-feet (2.1 m) of 4-conductor, 2-shielded, black PVC jacket.

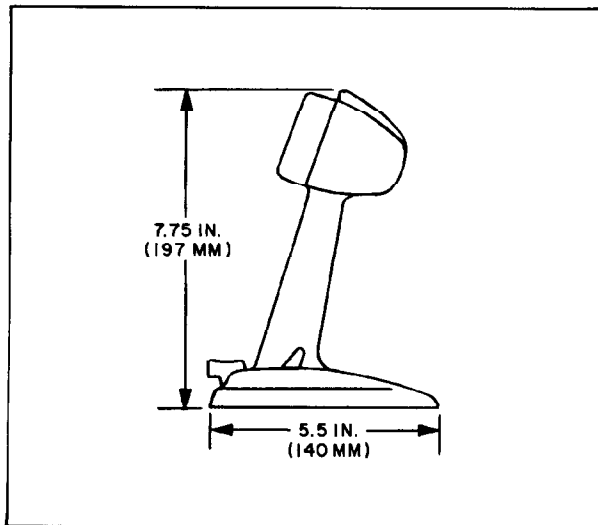
Housing: Die-cast zinc alloy.

Finish: Satin chrome.

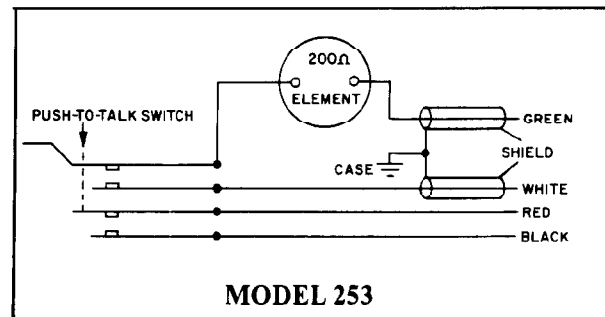
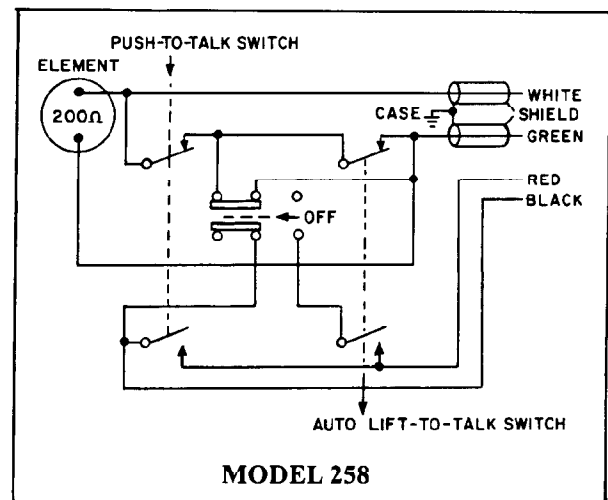
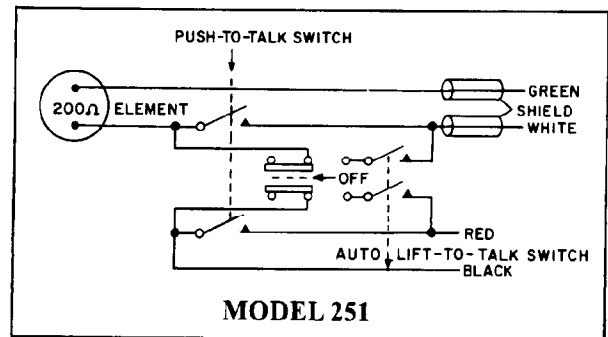
Weight: 2-1/4 lbs (1 kg).

Dimensions: 7-3/4 inches (197 mm) high by 5-1/2 inches (140 mm) wide.

DIMENSIONS



WIRING DIAGRAMS



ORDERING INFORMATION

	Catalog No.
Model 251 Microphone.....	25001
Model 253 Microphone.....	25003
Model 258 Microphone.....	25008
Element Replacement	25535