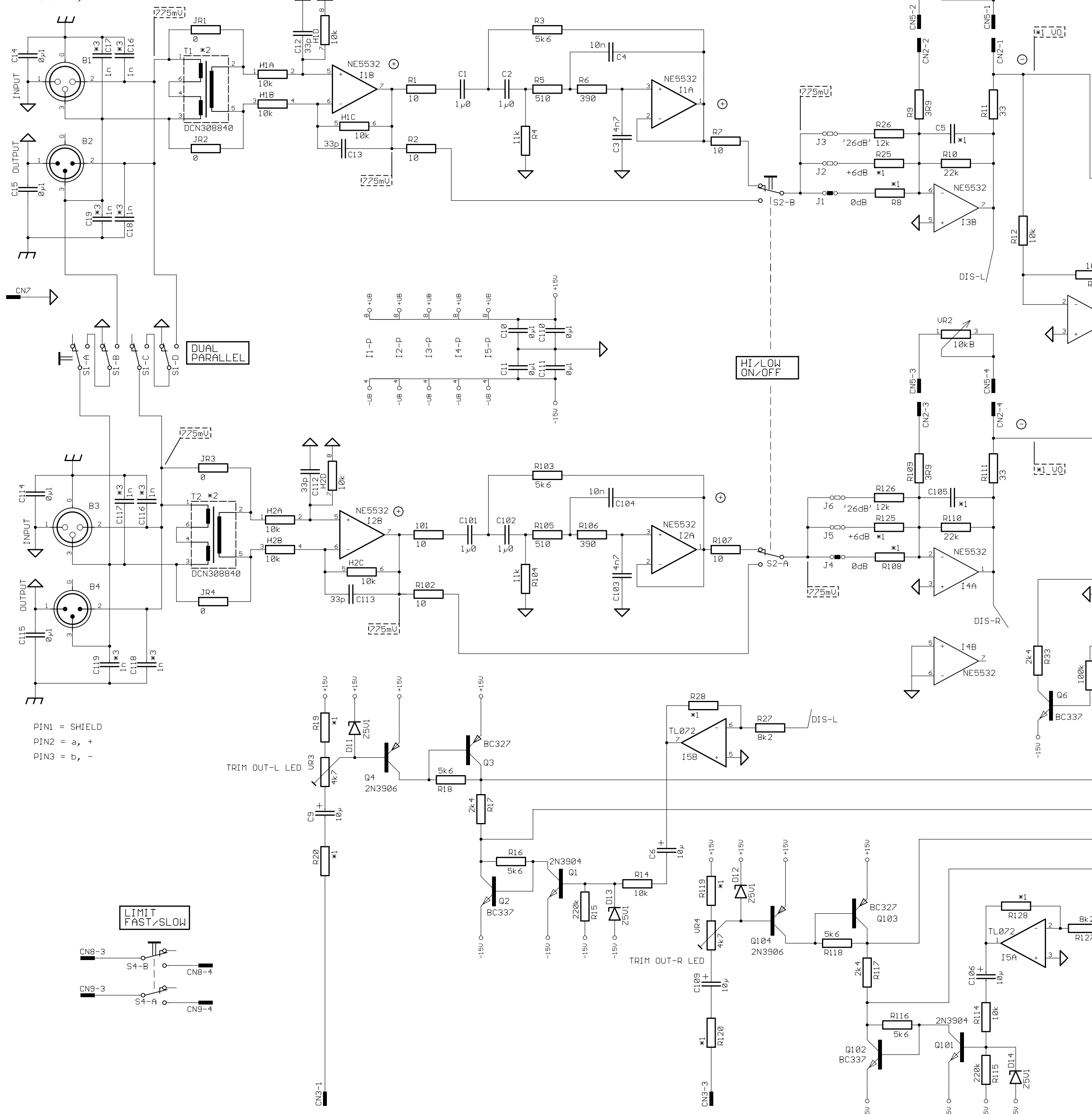


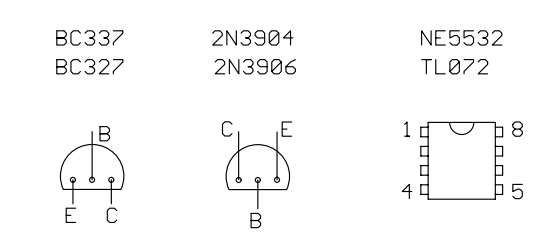
PIN1 = SHIELD
 PIN2 = a, +
 PIN3 = b, -



NOTES:

*1	PCB-NUMBER	C5/C105	R8/R108	R25/R125	R19/119	R20/R120	R28/R128	U0
L300	81306	220p	7k5	15k	10k	3k3	220k	710mV
L500	81307	220p	5k6	11k	10k	6k8	150k	950mV
L1000	81303	47p	4k3	8k2	6k8	10k	130k	1,24V
L500 S	81327	220p	5k6	11k	10k	6k8	150k	950mV
L1000 S	81328	47p	4k3	8k2	6k8	10k	130k	1,24V

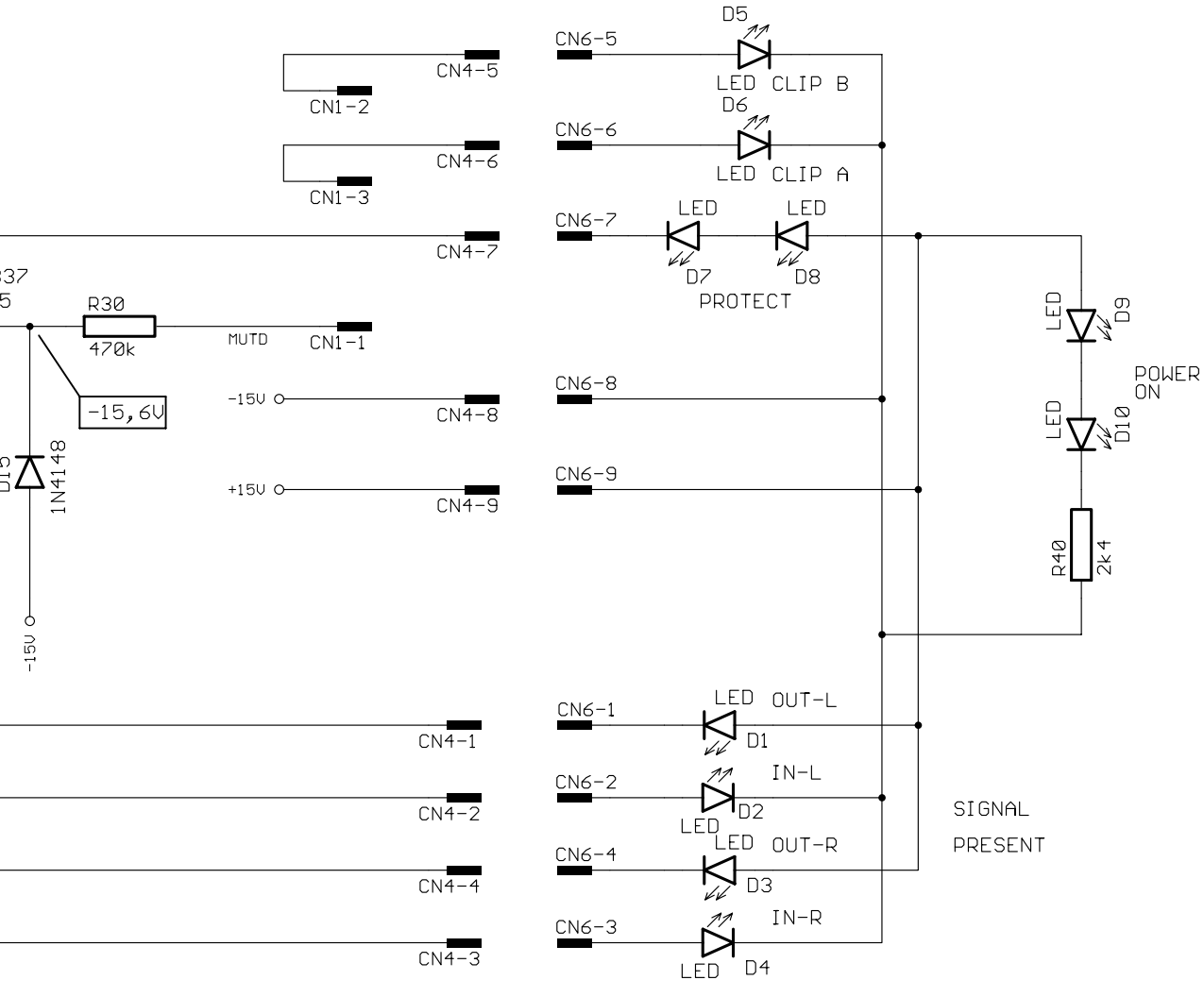
*2 : INPUT TRANSFORMERS OPTIONAL ONLY
 *3 : ONLY FITTED ON 81327 AND 81328



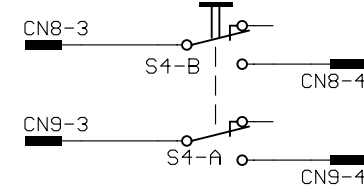
CONNECTORS:
 CN 1 : POWER AMP IN
 CN 2/5 : VOLUME POT
 CN 3 : AMP OUT DISPLAY
 CN 4/6 : DISPLAY LEDS
 CN 7 : GROUND
 CN 8/9 : LIMITER R&L

--- AC VOLTAGE 1000 HZ, MEASURED WITH UTVM
 □ DC VOLTAGE MEASURED WITH VOLTMETER 100kOHM/V

PIN1 = SHIELD
 PIN2 = a, +
 PIN3 = b, -



LIMIT FAST/SLOW



ALTERATIONS RESERVED!

				Last modified: 10.10.2000 14:18:12		81303				
				Last plotted: 10.10.2000 14:53:11						
				DATE	NAME	CIRCUIT DIAGRAM		1/1		
				DSG'D	Stadler					
				CHK'D						
				APP'D		348 614		2-		
C	155/99	7.12.	RST	DYNACORD					L300 / 500 / 1000	
B	44/96	24.6.	JST							
A	40/94	21.4.	JST							
SYMB.	REVISION	DATE	NAME							