

BenQ PROJECTOR CEILING MOUNT GUIDE

SAFETY INSTRUCTIONS

- 1. Follow the instructions in this manual when installing the projector with this bracket. Improper or inadequate installation could cause the projector to fall and injure someone.
- 2. Make sure the projector is installed securely so that the bracket can bear the weight of all attached devices, and also withstand any vibration.
- 3. Use only the parts provided with the rack, and any parts (commercially available) that are specified in this manual.
- 4. Do not modify the bracket or the parts provided with the bracket.
- 5. Do not use damaged parts. If any parts become damaged, contact your dealer.
- 6. All bolts and screws must be tightened securely.
- 7. Make sure not to block any ventilation openings when installing the projector.
- 8. Do not install the projector in a location that is subject to high levels of dust or humidity.
- 9. Do not install the projector in a location that is exposed to direct sunlight or in a location that is subject to extreme fluctuations in temperature (such as near an air conditioner).
- 10. Clean only with a dry cloth.
- 11. Special techniques and experience are required when installing the projector with this bracket. It is recommended that you contact your dealer to install the projector.
- 12. Once the projector is installed, safety checks should be performed on a regular basis.

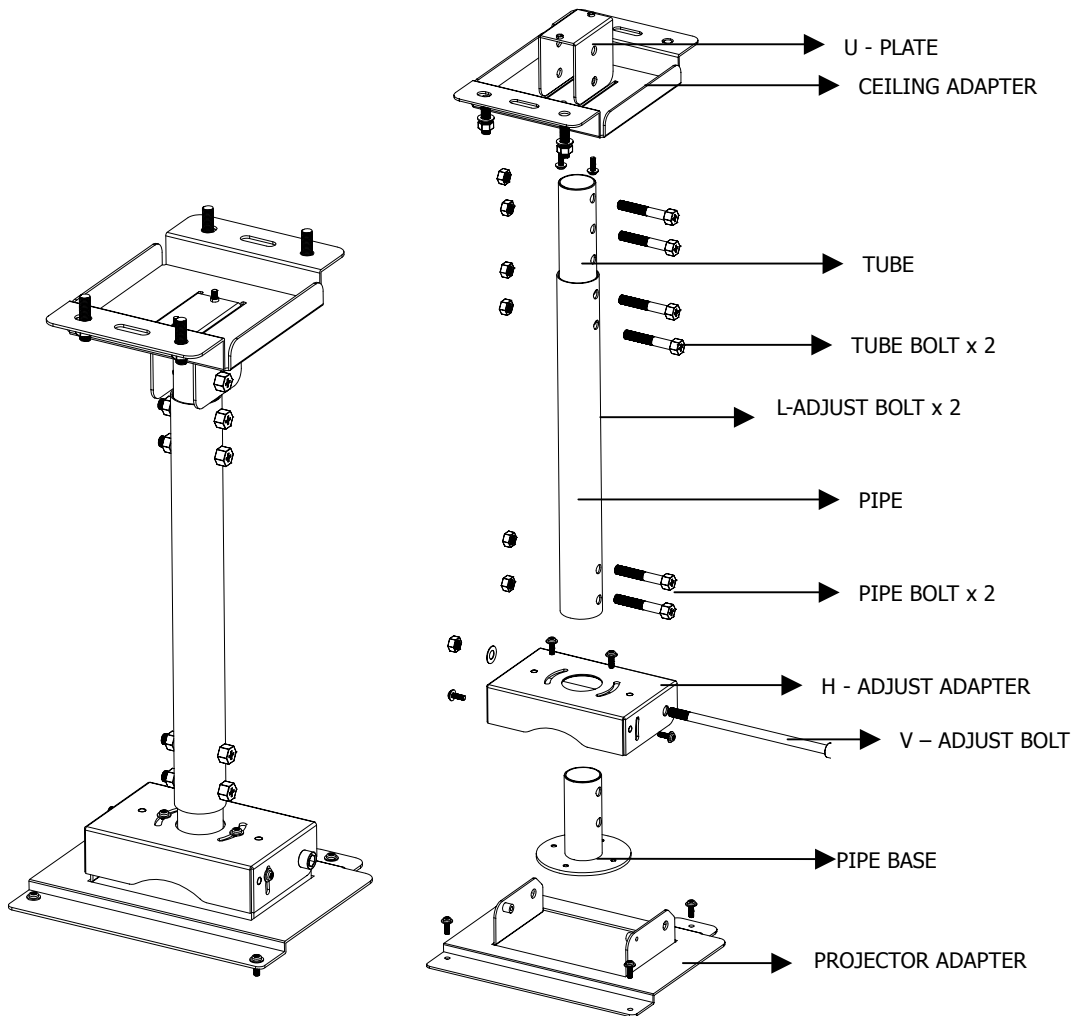
TABLE OF CONTENTS

Packing Parts List.....	2
Projector Installation and Throw Distance Chart.....	3
Installing a Projector with The Ceiling Bracket.....	4
Adjusting the Ceiling Bracket.....	7
Specifications and Diagrams	9

PACKING PARTS LIST

✓ CEILING ADAPTER	✓ U-PLATE	✓ TUBE
✓ PIPE	✓ PIPE-BASE	✓ H - ADJUST ADAPTER
✓ PROJECTOR ADAPTER	✓ V - ADJUST BOLT	✓ NUT x 7
✓ WASHER x 1	✓ M4 SCREW x 10	✓ BOLT x 6 (TUBE BOLT x 2, L - ADJUST BOLT x 2, PIPE BOLT x 2)

Names of Parts



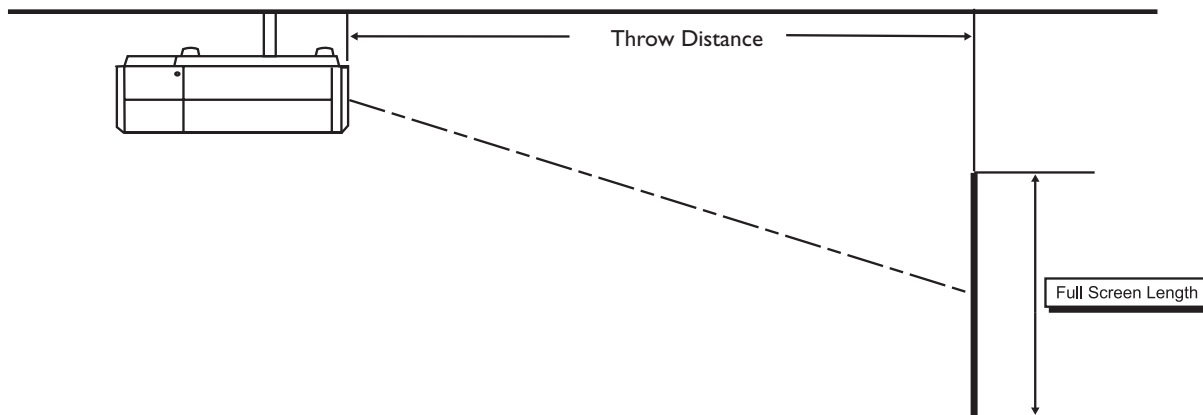
PROJECTOR INSTALLATION AND THROW DISTANCE CHART

Throw Distance Chart

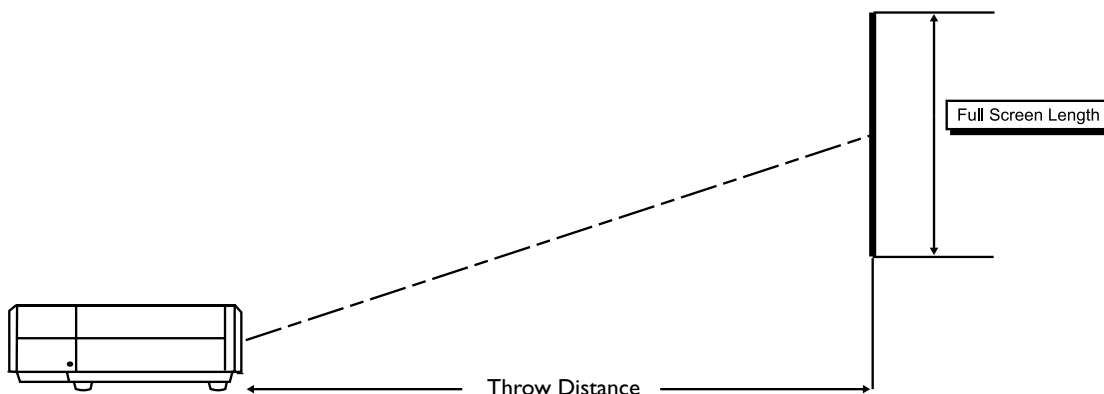
4:3 Aspect Ratio Screen

Diagonal (in)	Screen Width (cm)	Screen Height (cm)	Min Throw Distance (cm)	Max Throw Distance (cm)
30	61	46	99	120
40	81	61	131	160
50	102	76	164	200
60	122	91	197	241
70	142	106	230	281
80	162	122	263	321
90	183	137	296	361
100	203	152	328	401
125	254	190	411	501
150	305	228	493	601
175	355	266	575	702
200	406	304	657	802
225	457	342	739	902
250	508	380	821	1002
275	558	418	903	1103
300	609	456	1000	1203
Diagonal (in)	Screen Width	Screen Height (cm)	Min Throw Distance (cm)	Max Throw Distance (cm)
			(SW x 1.618)	(SW x 1.975)

Ceiling

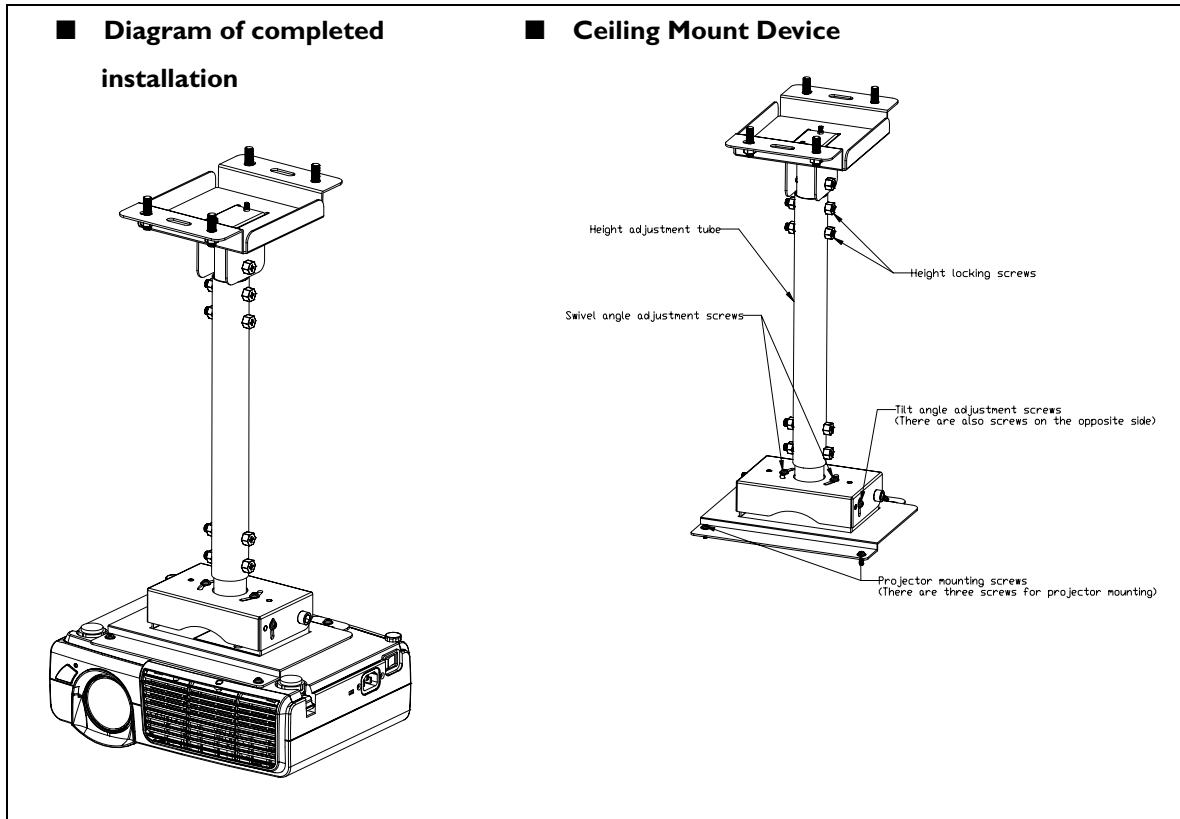


Floor



INSTALLING A PROJECTOR WITH THE CEILING BRACKET

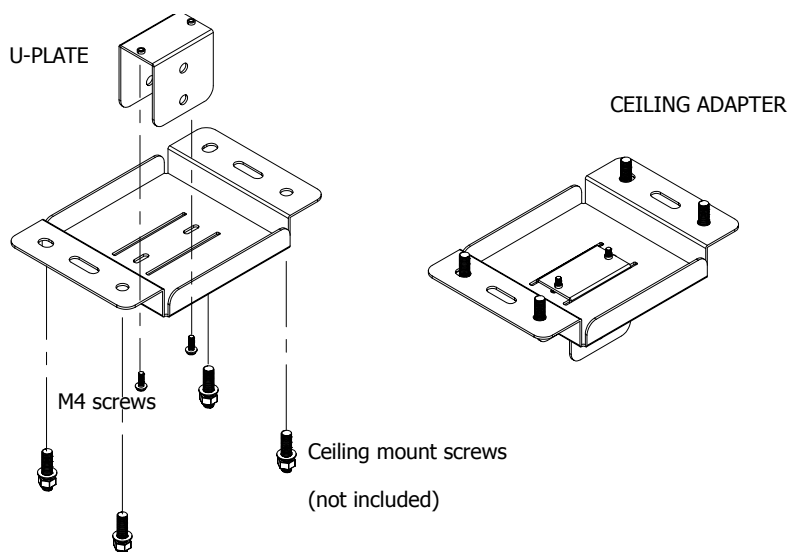
Overview



Installation Procedure

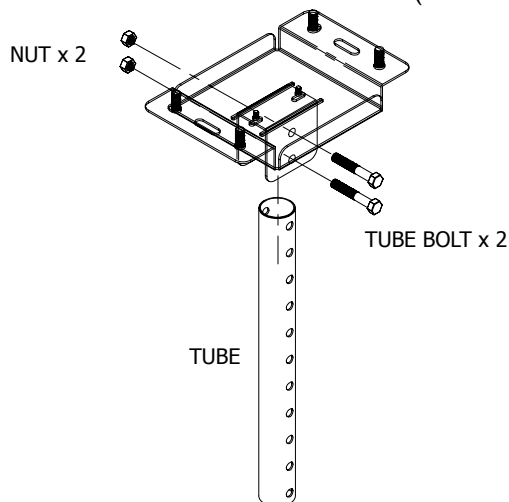
STEP A

Insert the U-PLATE into the CEILING ADAPTER, and tighten two M4 screws (from the bottom) into the screw holes. Then attach the top part to the ceiling.



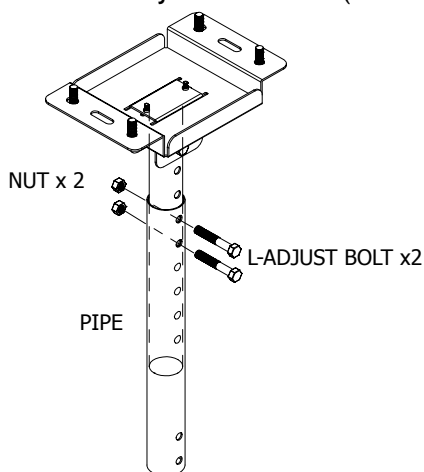
STEP B

Join the TUBE and the U-PLATE with two TUBE BOLT sets (bolt and nut).



STEP C

Install the PIPE and the TUBE with two L-ADJUST BOLT sets (bolt & nut).



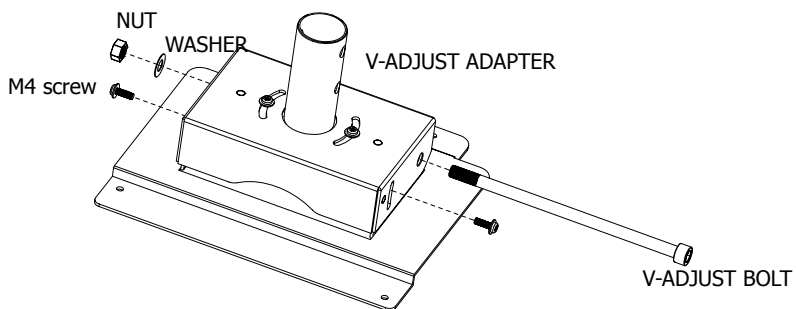
STEP D

Install the base-assembly.

STEP D1 Attach the PIPE-BASE to the H-ADJUST ADAPTER with two M4 screws.

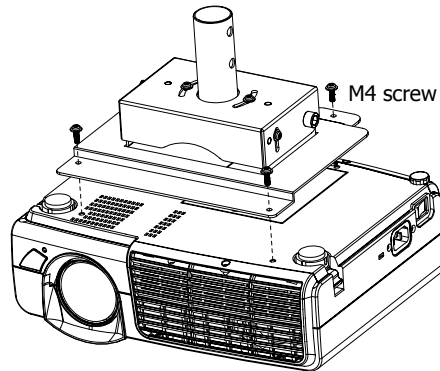
M4 screw
H-ADJUST ADAPTER

STEP D2 Put together the V-ADJUST ADAPTER and the PROJECTOR ADAPTER with one V-ADJUST BOLT set (bolt, washer and nut). Then tighten the M4 screws on both sides.



STEP E

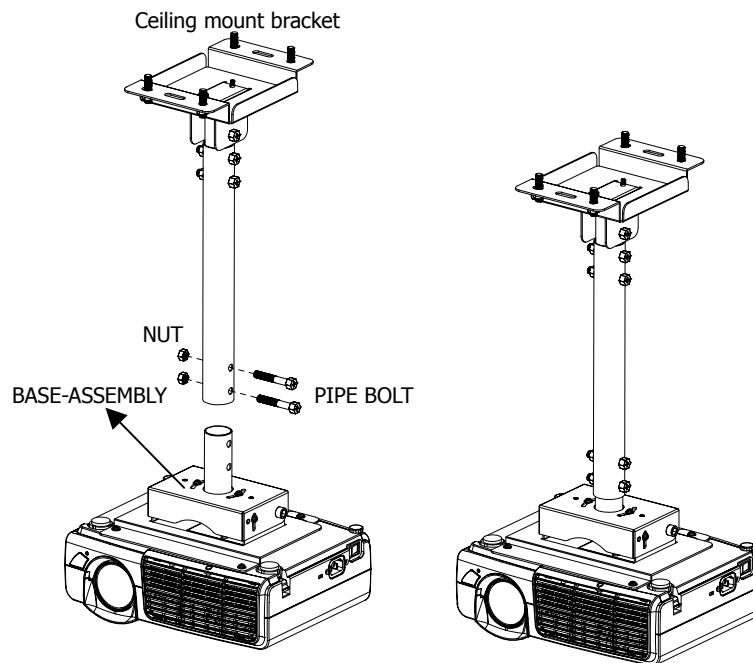
Join the BASS-ASSEMBLY and the PROJECTOR set with four M4 screws.



STEP F

Join the BASE-ASSEMBLY and the ceiling mount device with two PIPE BOLT sets (bolt and nut).

Two people are required for the completion of this step.

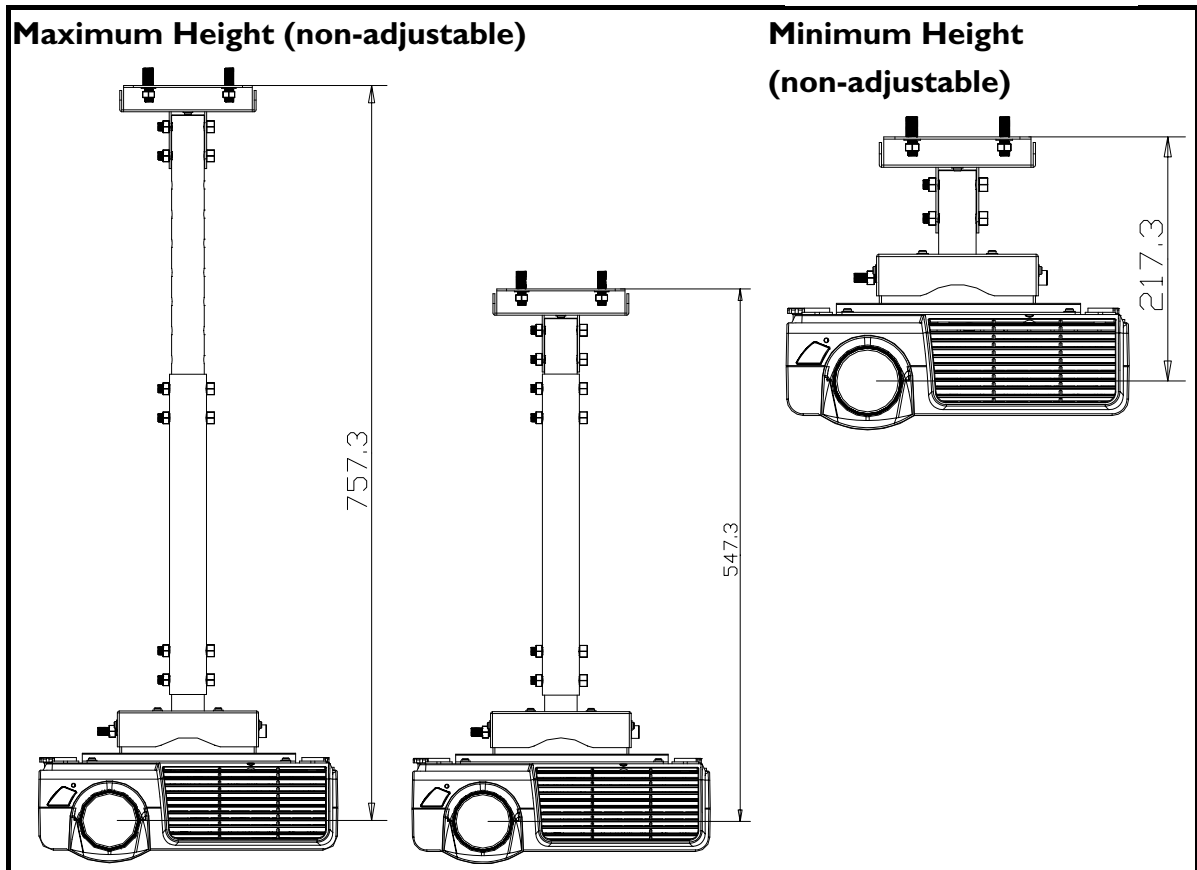
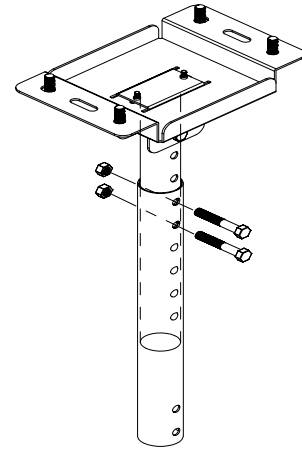


Installation finished.

ADJUSTING THE CEILING BRACKET

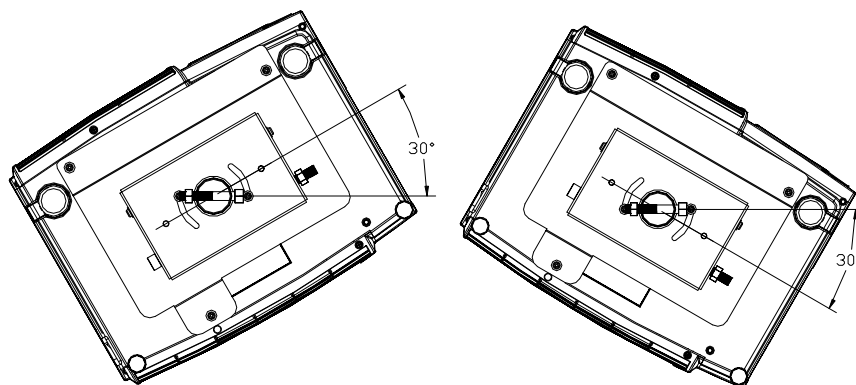
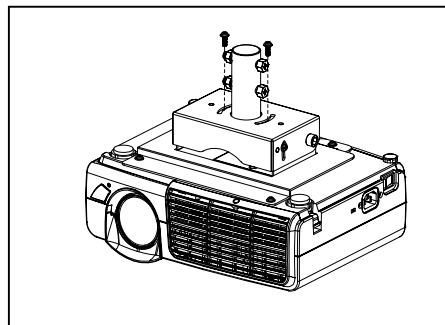
Height Adjustment

1. Make sure to remove the projector first.
2. Loosen the nuts securing to the two L-ADJUST BOLTS.
3. Remove the L-ADJUST BOLTS from the PIPE.
4. Adjust to the correct position for the height of the screen. The height can be adjusted to 225mm or any value in a range between 555mm and 765mm in increments of 30 mm.
5. Insert the L-ADJUST BOLT back into the PIPE, and then re-attach the nuts previously removed.



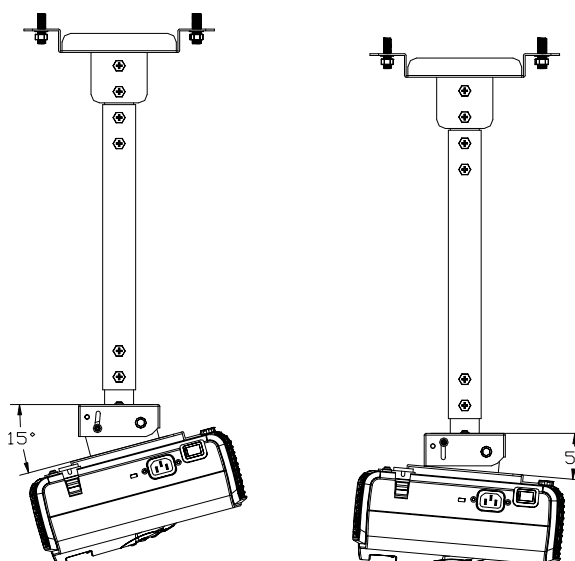
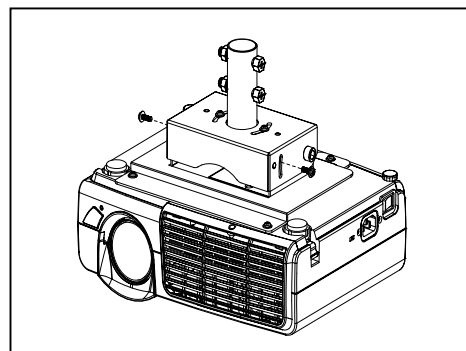
Horizontal Angle Adjustment

1. Loosen the two sets of screws connecting the PIPE-BASE and the H-ADJUST ADAPTER.
2. Adjust the horizontal angle so that it is correct for the orientation of the screen.
3. Re-tighten the two sets of screws connecting the PIPE-BASE and the H-ADJUST ADAPTER.
4. The swivel angle can be set within a range of negative to positive 30 degrees.



Vertical Angle Adjustment

1. Loosen the two sets of screws connecting the H-ADJUST ADAPTER and the PROJECTOR ADAPTER.
2. Adjust the vertical angle to the correct one for the orientation of the screen.
3. Re-tighten the 2 sets of screws connecting the H-ADJUST ADAPTER and the PROJECTOR ADAPTER.
4. The tilt angle can be adjusted in a range between -5 and +15 degrees.



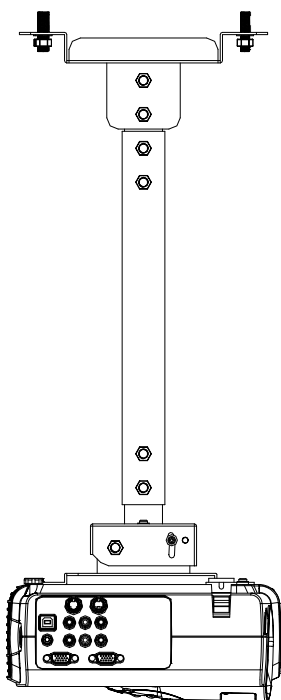
SPECIFICATIONS AND DIAGRAMS

Specifications

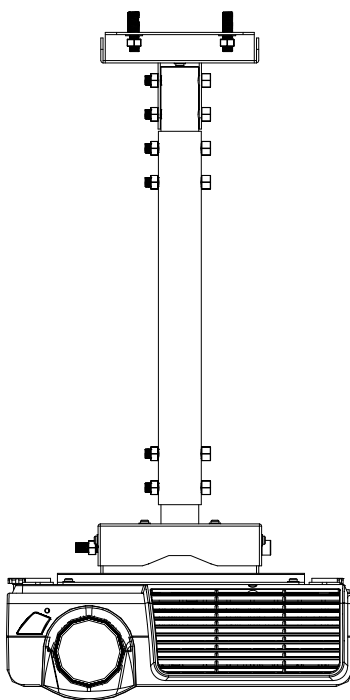
Adjustment Range	
Height	225mm, 555mm, 585mm, 615mm, 645mm, 675mm, 705mm, 735mm and 765mm.
Horizontal angle	-30 to +30 degrees
Vertical angle	-5 to +15 degrees
Weight	3.2 kg
Loading	3.5 kg

Diagrams

■ Left View



■ Front view



■ Right view

