



SonoSuede Pro™ System

As audio technology continues to evolve, sound control solutions must meet greater acoustical demands while maintaining aesthetic appeal.

The **Auralex® SonoSuede System** is a cost-effective complete do-it-yourself room treatment system ideal for any critical listening environment. The synthetic suede fabric-covered panels provide the acoustical performance and visual impact critical for today's applications.

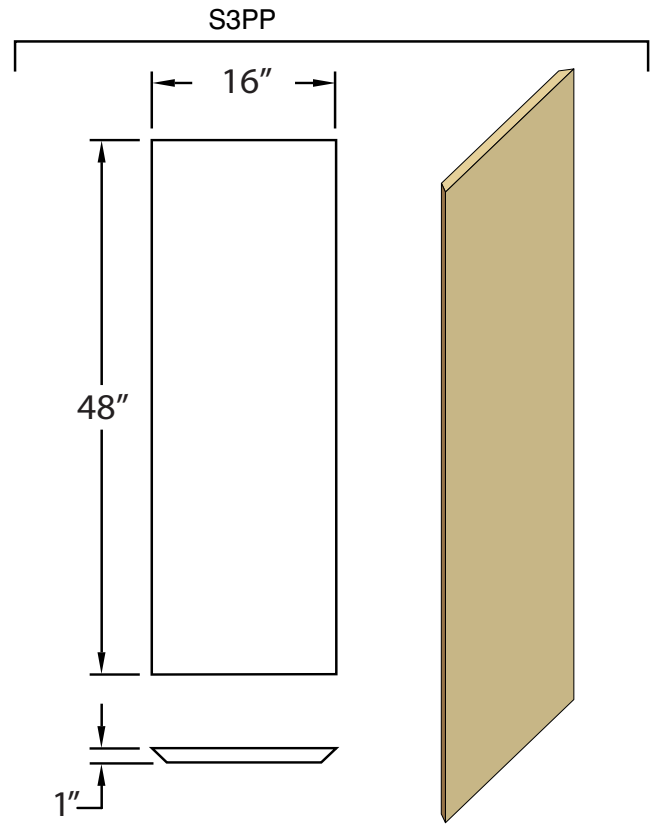
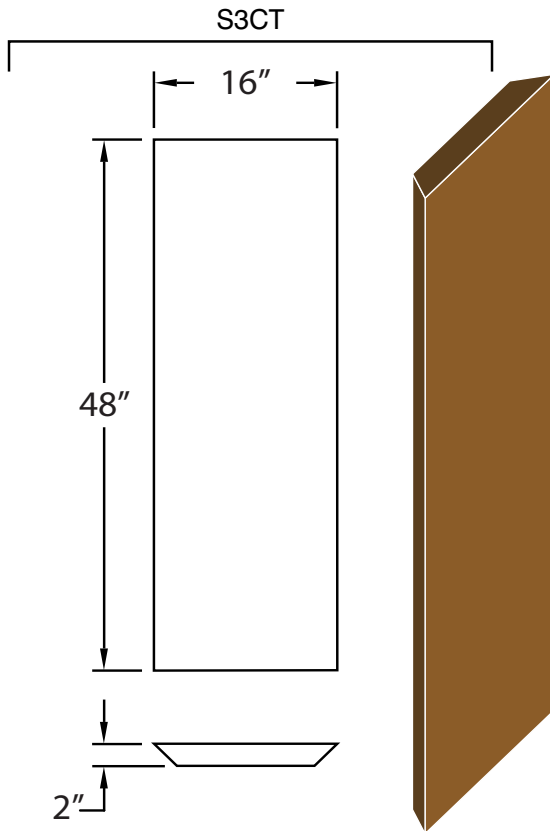
The **SonoSuede System's** unique mounting blocks help you get the most out of your treatment by spacing the panels off the wall. The resulting air gap dramatically improves low frequency absorption and also offers a multitude of decorative options.

SonoSuede Pro				
Quantity:	Coverage:	System Color Options:	Fire Rating:	Mounting Hardware
8	1" x 16" x 48"	Option 1: (Red 1"/Black 2") Option 2: (Tan 1"/Brown 2")	Class A	(3) Impaling Clips & (3) Mounting Blocks per panel
4	2" x 16" x 48"			(4) 8-penny finish nails
Total Coverage: 64 ft ²				



SonoSuede Pro™ (S3PRO) System

This kit contains: (4) S3CT and (8) S3PP SonoSuede Panels with mounting hardware.



S3CT (color)	
Size	16" x 48" x 2"
Quantity	4
NRCs	'A' mounting (flush): 0.85 NRC 'F' mounting (spaced): 1.00 NRC
Fabric	Interface Fabrics Psuedo Suede (17300)
Stock Color(s)	Black & Brown
Installation Hardware	(4) 8-penny finish nails per panel

S3PP (color)	
Size	16" x 48" x 1"
Quantity	8
NRCs	'A' mounting (flush): 0.75 NRC 'F' mounting (spaced): 0.95 NRC
Fabric	Interface Fabrics Psuedo Suede (17300)
Stock Color(s)	Red & Tan
Installation Hardware	(3) impaling clips & (3) mounting blocks per panel

SonoSuede Pro™ Pricing	
Dealer	\$699.00
MAP	\$1199.00
Sugg. Sell	\$1399.00

Stock Colors



Special Order Colors



Internal Use Only. Do Not Distribute.



SonoSuede HT™ System

As audio technology continues to evolve, sound control solutions must meet greater acoustical demands while maintaining aesthetic appeal.

The **Auralex® SonoSuede System** is a cost-effective complete do-it-yourself room treatment system ideal for any critical listening environment. The synthetic suede fabric-covered panels provide the acoustical performance and visual impact critical for today's applications.

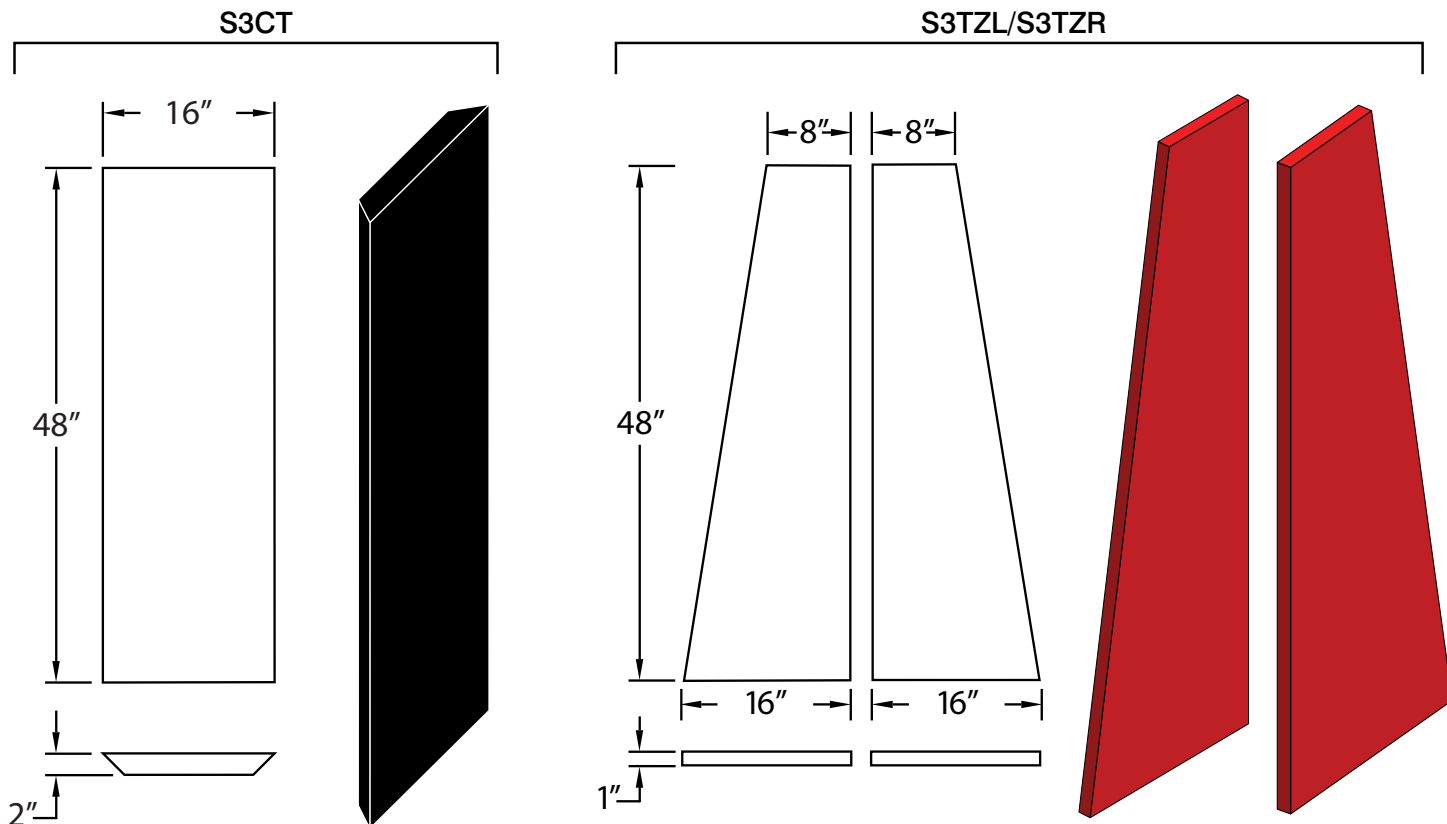
The **SonoSuede System's** unique mounting blocks help you get the most out of your treatment by spacing the panels off the wall. The resulting air gap dramatically improves low frequency absorption and also offers a multitude of decorative options.

SonoSuede HT				
Quantity:	Coverage:	System Color Options:	Fire Rating:	Mounting Hardware
8	1" x 16" x 48" (overall)	Option 1: (Red 1"/Black 2") Option 2: (Tan 1"/Brown 2")	Class A	(3) Impaling Clips & (3) Mounting Blocks per panel
4	2" x 16" x 48"			(4) 8-penny finish nails
Total Coverage: 54 ft ²				



SonoSuede HT™ (S3HT) System

This kit contains: (4) S3CT and (8) S3TZ (4L/4R) SonoSuede Panels with mounting hardware.



S3CT (color)	
Size	16" x 48" x 2"
Quantity	(4) S3CT Panels
NRCs	'A' mounting (flush): 0.85 NRC 'F' mounting (spaced): 1.00 NRC
Fabric	Interface Fabrics Psuedo Suede (17300)
Stock Color(s)	Black & Brown
Installation Hardware	(4) 8-penny finish nails per panel

S3TZL/S3TZR (color)	
Size	16" x 48" (overall) x 1"
Quantity	(8 Total) S3TZL/R (4L/4R)
NRCs	'A' mounting (flush): 0.75 NRC 'F' mounting (spaced): 0.95 NRC
Fabric	Interface Fabrics Psuedo Suede (17300)
Stock Color(s)	Red & Tan
Installation Hardware	(3) impaling clips & (3) mounting blocks per panel

SonoSuede HT™ Pricing	
Dealer	\$699.00
MAP	\$1199.00
Sugg. Sell	\$1399.00

Stock Colors



Special Order Colors



Internal Use Only. Do Not Distribute.