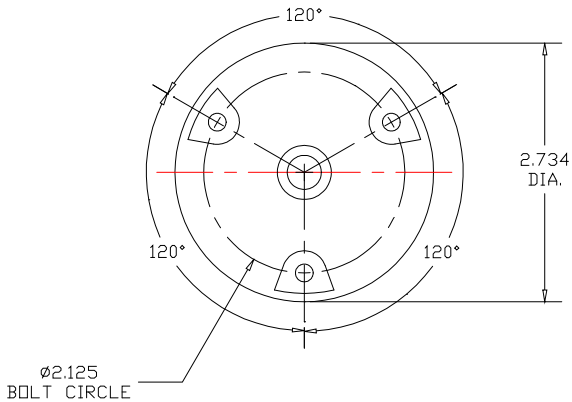
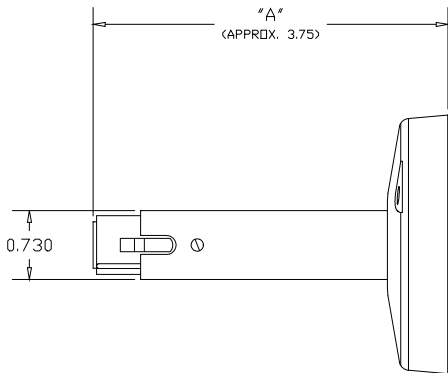


124-01-FM1A

NOTE:  
1. DIM. "A" DEPENDANT ON SWITCH SUPPLIED



REVISION RELEASE	NO.	DATE	FIRST MADE FOR	MADE FOR	TITLE
					FM-1A
	DRAWN	APPD	DO NOT SCALE DRAWING		
	12-03-04		3rd ANGLE PROJ.	SIZE	SCALE DWG NO.
			C	1/1	124-01-FM1A