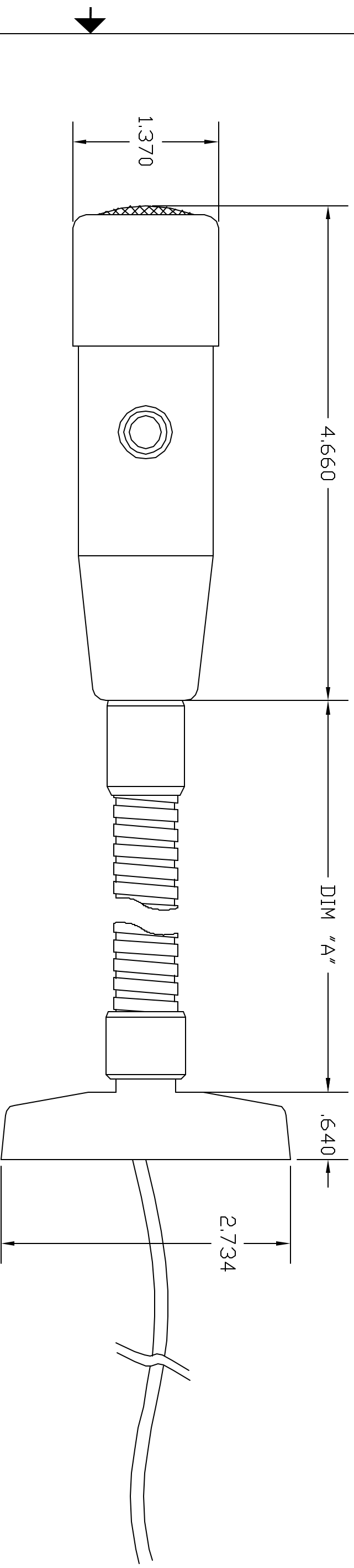


035-01-AMC

MODEL NO.	DIM "A"
AMC105SND	_____
AMC105SND-13	13"
AMC105SND-19	19"



REVISION	NO.	FIRST MADE FOR	MADE FOR	TITLE
RELEASE	DATE			AMC105SND, -13, -19
		DRAWN	APPD	SCALE
				DWG NO.
		3-10-05		035-01-AMC
			3rd ANGLE PRD.	
			DD NOT SCALE DRAWING	
			SIZE	
			C	