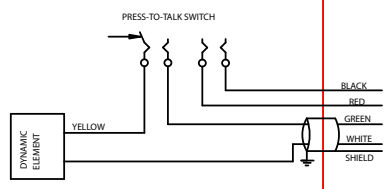
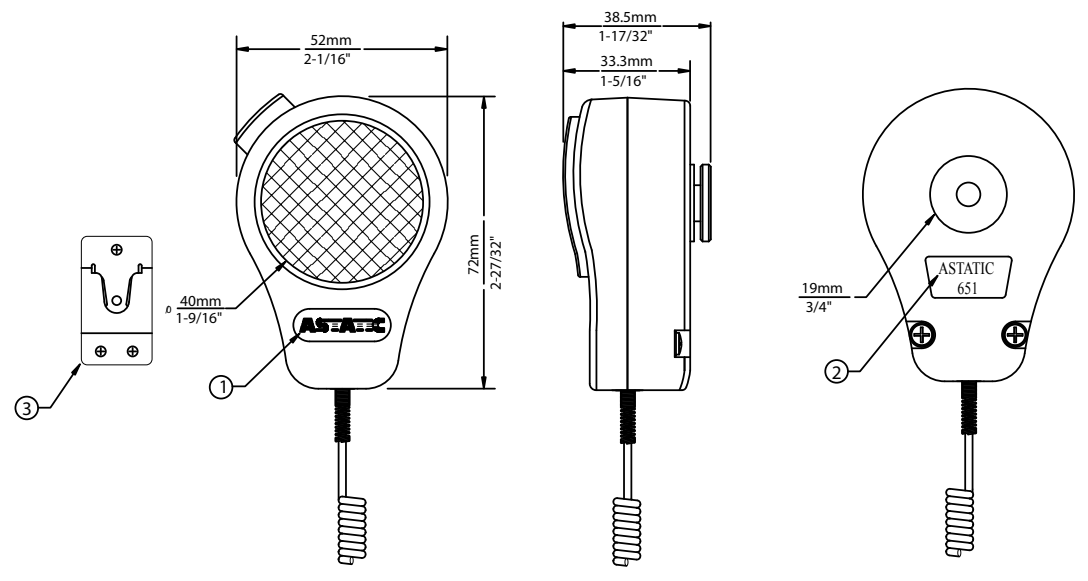


①	②	③	④	⑤	⑥	*
FRONT PRINTING	REAR PRINTING	MOUNTING CLIP	BOX END LABEL	SPEC SHEET	BOX	TEST SPEC
44891-00-00	44893-00-00	42081-00-00	44924-00-00	46873-80-00	46870-00-00	70031-00-00

44894-00-00

NOTES & SPECIFICATIONS:

1. WEIGHT: 4.9oz (139g) INCLUDING CABLE.



Unspecified Threads: External-Class 2A Before Plating; Internal-Class 2B. Unmarked Angles & Intersections- 90°

1/25/07 KES MOVE SPEC OFF SHEET	NO.	1		MATERIAL		SEE NOTES		OMNITRONICS, LLC	
	REVISION	1		FIRST MADE FOR		651		341 HARBOR ST. CONNEAUT, OHIO 44030	
	DATE	11/30/05		TOLERANCE UNLESS OTHERWISE SPECIFIED		.01 = ±.020 .00 = ±.010 .000 = ±.005 ANGULAR ± ??		TITLE	
	RELEASE	MSM		DRAWN		APPD		DO NOT SCALE DRAWING	
SCALE		NONE		SIZE		B		DWG NO.	
3rd ANGLE PROJ.		NONE		11/30/05		NONE		44894-00-00	