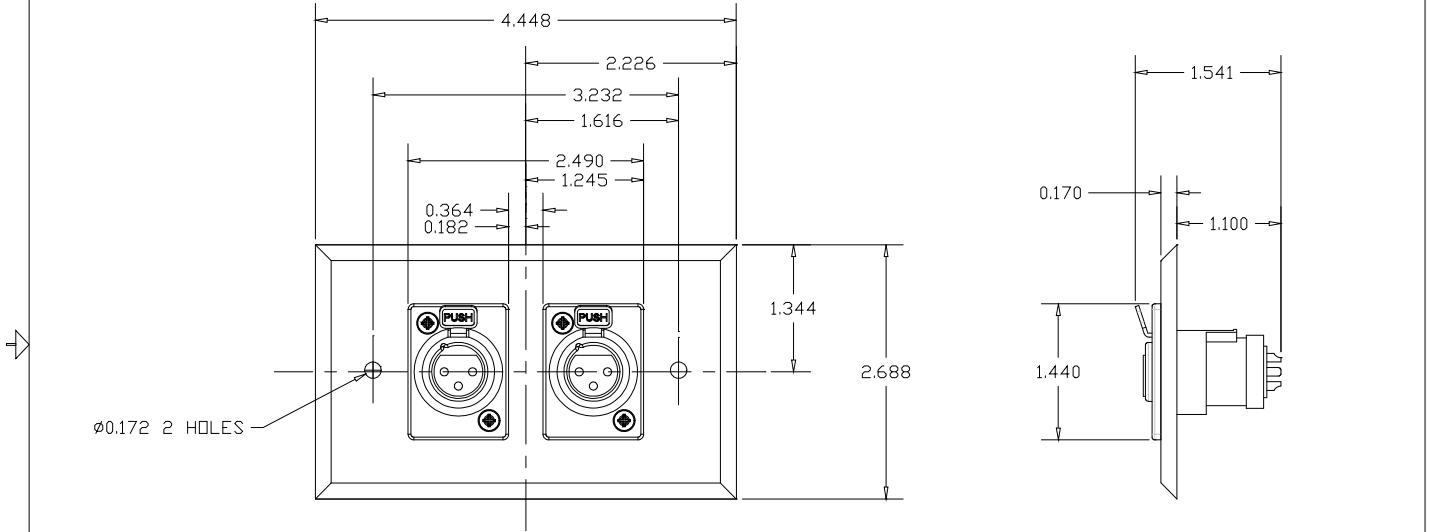


124-01-378



REVISION RELEASE	NO.	DATE	FIRST MADE FOR	MADE_FOR	TITLE
			ASTATIC		40-378
	DRAWN	APPD	DO NOT SCALE DRAWING		SCALE/DWG NO.
			3rd ANGLE PROJ.	SIZE	
	12-03-04			C	1/1 124-01-348