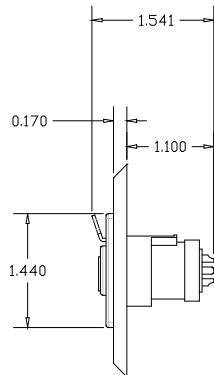
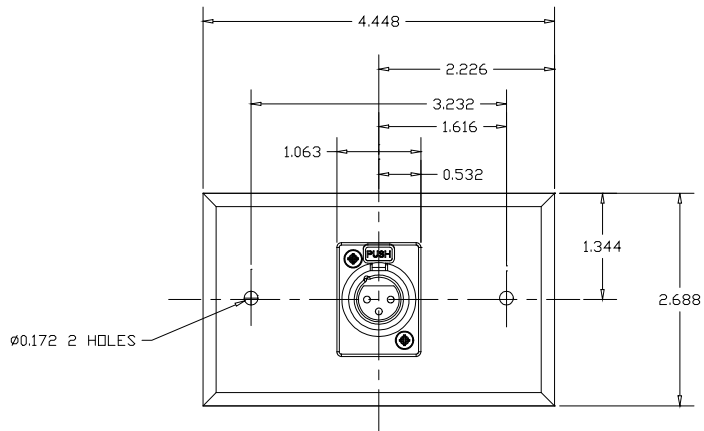


124-01-347



NO. DATE	FIRST MADE FOR		MADE_FOR	TITLE
	ASTATA			40-347
REVISION RELEASE	DRAWN	APPD	DO NOT SCALE DRAWING	
			3rd ANGLE PROJ. SIZE	SCALE DWG NO.
	12-03-04		C	1/1 124-01-347