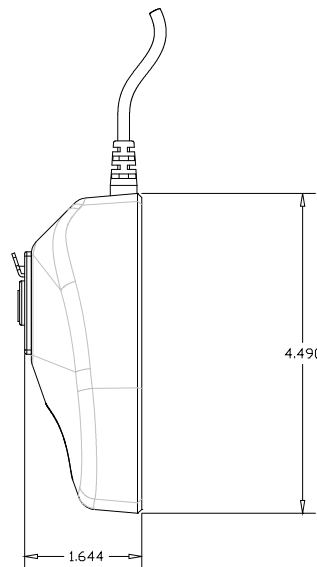
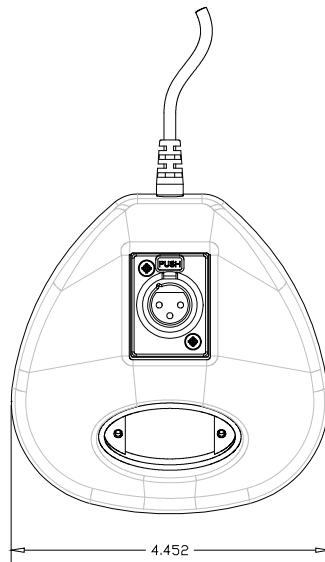
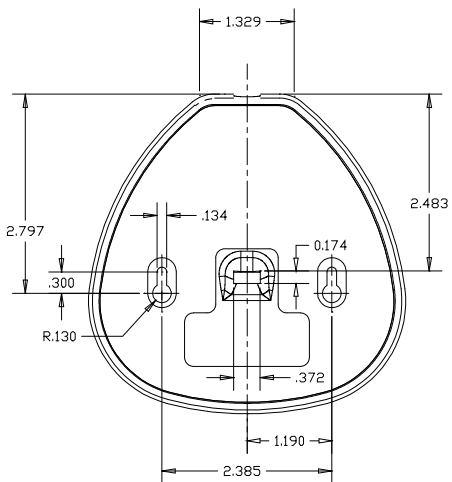
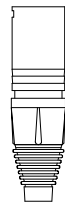
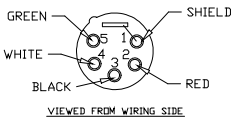


NOTES:
1. CABLE IS 7'-6" IN LENGTH



| | | | | |
|-------------|--------------------|----------------------|----------------|--------------------|
| REV DATE | FIRST MADE FOR 901 | | | TITLE |
| | ASTATIC | | | |
| DRAWN | APPD | DO NOT SCALE DRAWING | 3rd ANGLE PROJ | SIZE SCALE DWG NO. |
| 12-06-04 | | | Ⓢ | C SCALE 124-01-119 |

40-119