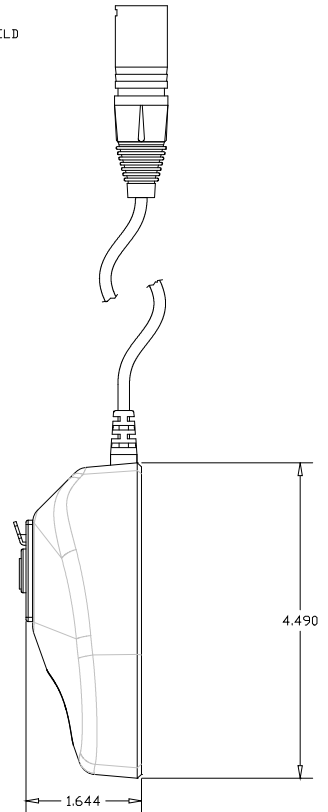
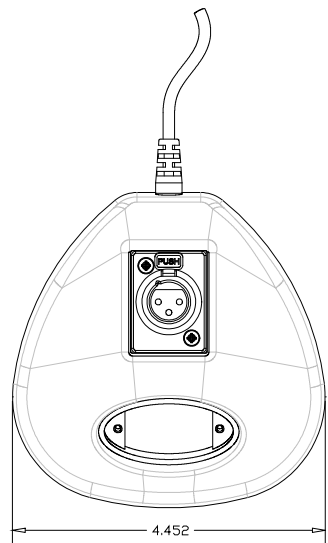
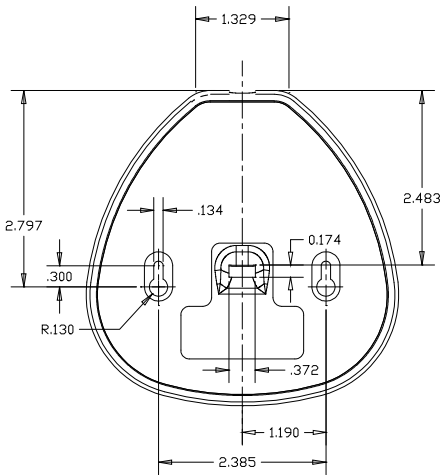
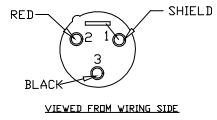


NOTES:  
 1. CABLE IS 7'-6" IN LENGTH



REV. DATE RELEASE	FIRST MADE FOR 901		TITLE		
	DRAWN	APP'D	DO NOT SCALE DRAWING	40-118	
	12-06-04		3rd ANGLE PROJ.	SIZE SCALE	DWG NO. SCALE
			C	124-01-118	