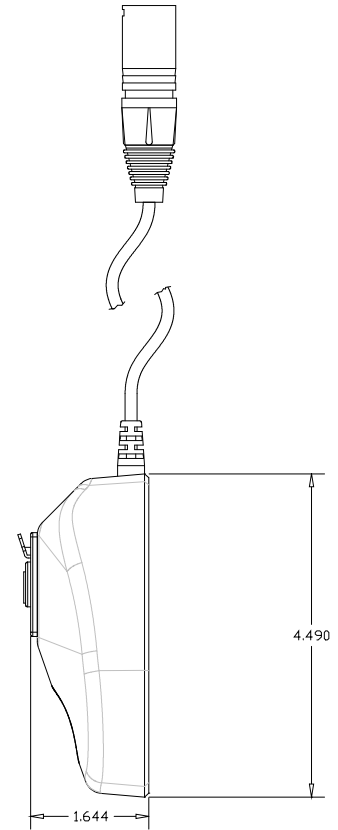
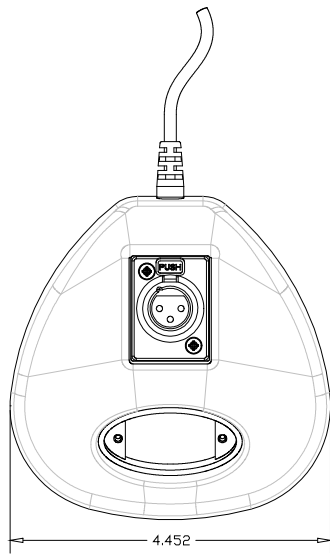
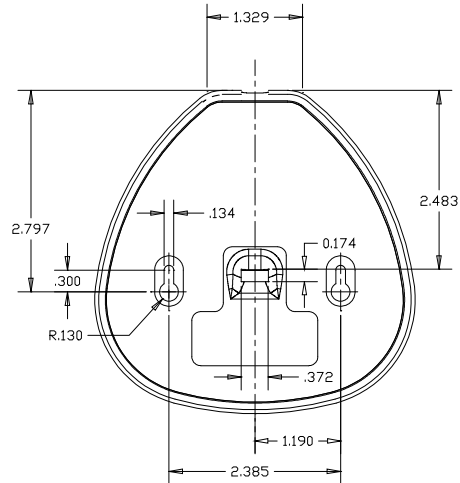
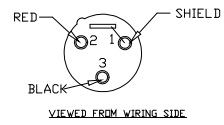


NOTES:
1. CABLE IS 7'-6" IN LENGTH



NO. DATE REVISION RELEASE	FIRST MADE FOR 901			TITLE	
	ASAPAC			40-117	
	DRAWN	APPD	DO NOT SCALE DRAWING	SIZE	SCALE/DWG. NO.
	12-06-04		3/4 ANGLE PROJ	C	SCALE 124-01-117