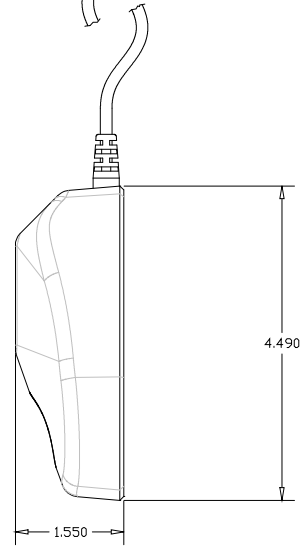
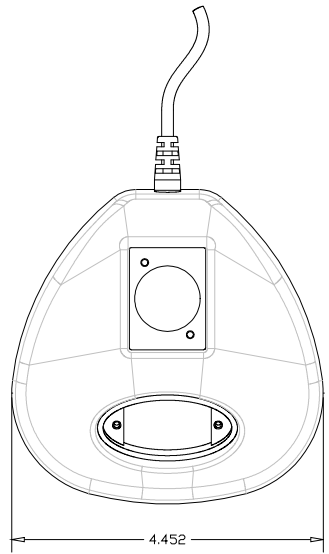
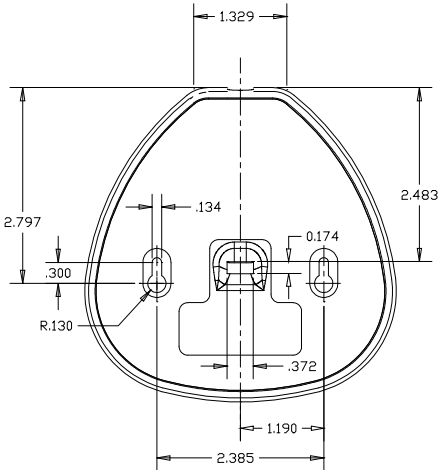
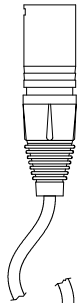
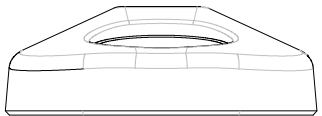
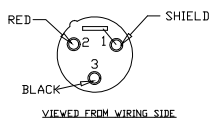


NOTES:  
1. CABLE IS 7'-6" IN LENGTH



REV	DATE	FIRST MADE FOR 90L	TITLE
1			40-116
DRAWN	APP'D	DO NOT SCALE DRAWING	SCALE/DWG NO.
12-06-04		3/4 ANGLE PROJ	SCALE 124-01-116
RELEASE		SIZE C	