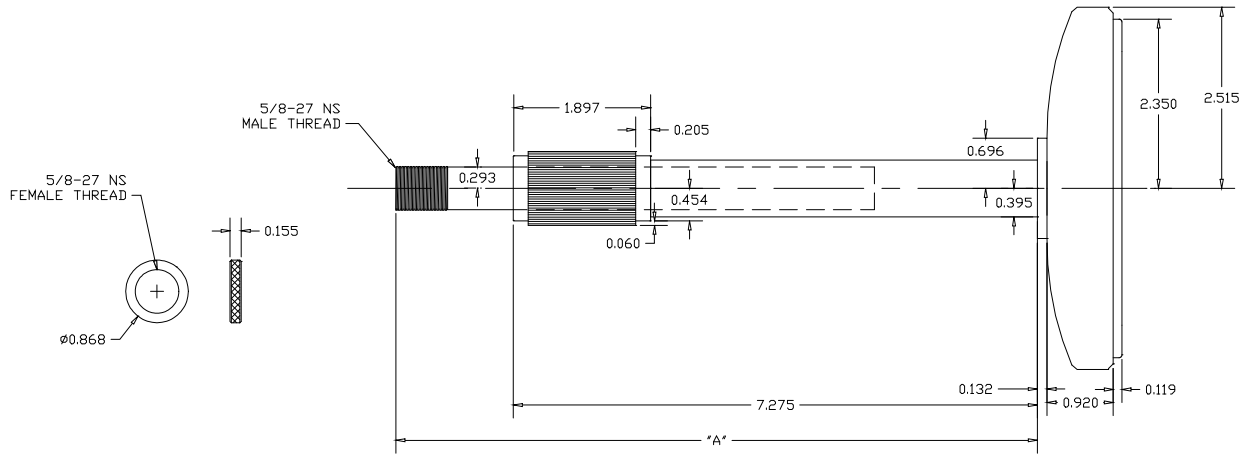


NOTE:
1. DIM. 'A' IS ADJUSTABLE FROM 6' TO 13'



NO.	FIRST MADE FDR 90L		TITLE	
	DATE		40-107	
REVISION	DRAWN		DO NOT SCALE DRAWING	
	APPD		SIZE SCALE DWG. NO.	
RELEASE	12-06-04	3/8 ANGLE PROJ	C SCALE	124-01-107