

124-01-105

5/8-27 NS
MALE THREAD

5/8-27 NS
FEMALE THREAD

∅0.868

0.155

0.395

0.696

2.350

2.515

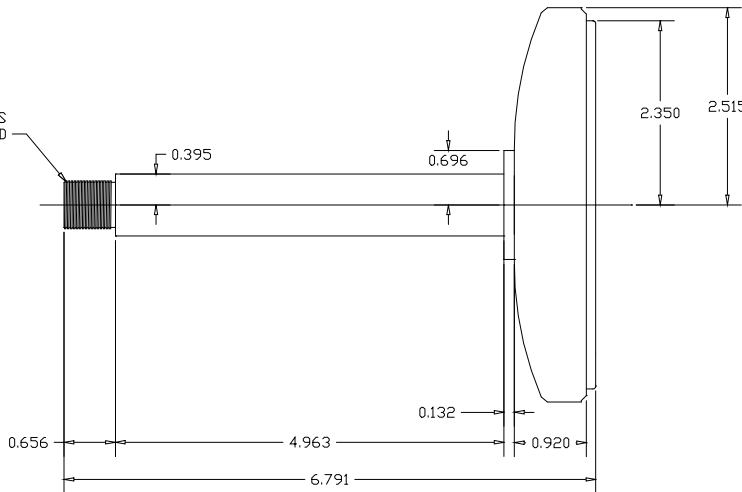
0.132

0.656

4.963

0.920

6.791



NO. DATE	FIRST MADE FOR		MADE FOR	TITLE
	ASTATIC			40-105
DRAWN APPD	DO NOT SCALE DRAWING		SCALE DWG NO.	
	12-03-04		3rd ANGLE PROJ. SIZE C 1/1	124-01-105