

GSM-1

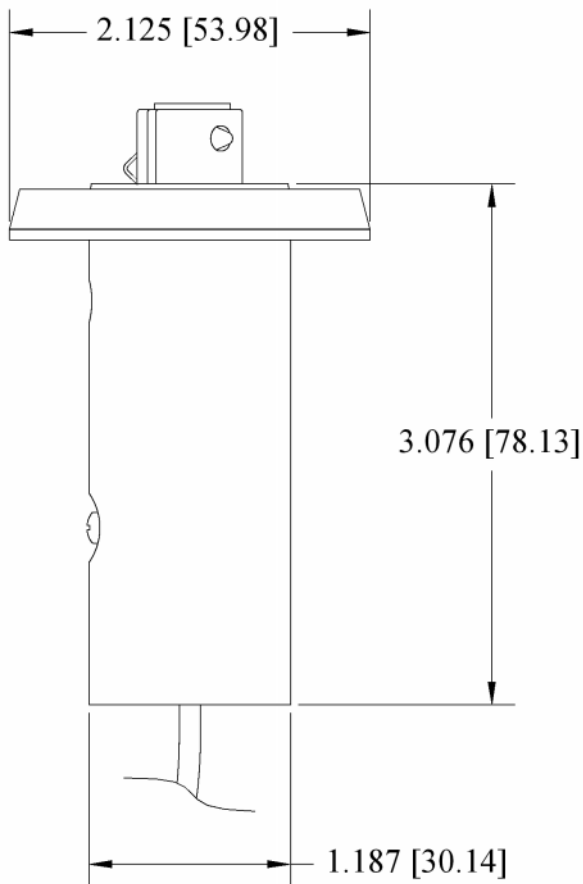
LECTERN/PODIUM SHOCK MOUNT FOR MINI-GOOSENECK MICROPHONES

Description

The **ASTATIC GSM-1** is a high performance lectern/podium shock isolation mount designed for mini-gooseneck type microphones. The **ASTATIC GSM-1** will work with **any** mini-gooseneck microphone that is equipped with a 3 pin male XLR connector such as the **ASTATIC 200, 900** and **827** series.

The **ASTATIC GSM-1** features an exclusive dual point suspension system. The high mass metal components combined with **ASTATIC's** custom formulated **I.N.R.**[™] (Impact Noise Rejection) elastomer bushings result in a highly effective compact shock isolation system that holds the gooseneck firmly in place even on angled surfaces. Unlike other shock mount systems, the **ASTATIC GSM-1** will not allow the microphone to "sag" or "droop", even when using longer gooseneck microphones such as the **220, 920** and **827-17**.

The **ASTATIC GSM-1** features a built in quick disconnect XLR connector, complete with 6 feet of balanced line cable. Once installed, microphones easily plug in and out of the top of the mount. There is never any need to access the underside of the mount or make any adjustments when inserting or removing a microphone.



PATENT PENDING

ASTATIC Quality

All **GSM-1** shock isolation mounts are inspected prior to shipment. Our absolute commitment to quality insures that **ASTATIC** products remain the **Best Value** in today's competitive industry.

Features and Benefits

- Built in 3 pin quick disconnect XLR connector. Microphone simply plugs into top of mount. Microphone can then easily be unplugged for storage.
- Exclusive dual point **I.N.R.**[™] (Impact Noise Rejection) suspension provides superior shock isolation yet holds microphone firmly in position.
- Low profile and small diameter.
- Provides over 20 dB reduction of transmitted impact and surface noise.
- Internal stop pin protects rubber parts from damage when inserting or removing microphones.
- Heavy duty steel construction.
- 2 Year Limited Warranty.



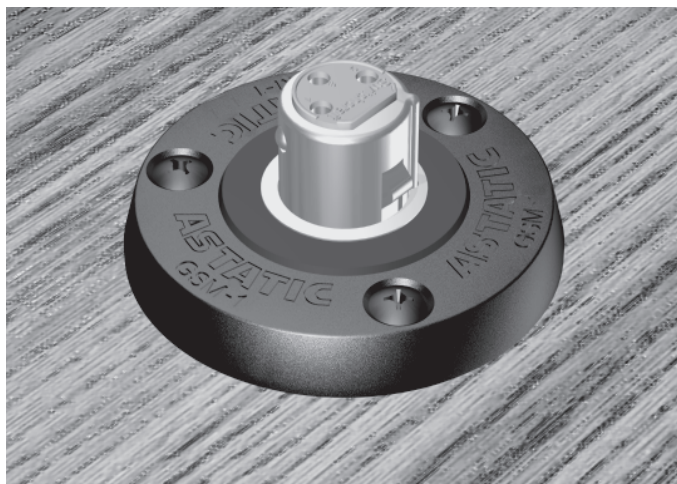
Installation

The **ASTATIC GSM-1** requires a minimum of 3 1/2" clearance below it as measured from the top of the mounting surface. Once a mounting location has been chosen, drill a 1 1/4" hole in the surface. Then temporarily insert the mount into the hole and use it as a template to mark the location for the three included #6 wood screws. The cable on the **ASTATIC GSM-1** is supplied unterminated. If an XLR connector is required at the end of the cable, it can be added either before or after the mount is installed. The cable on the **GSM-1** is wired as follows:

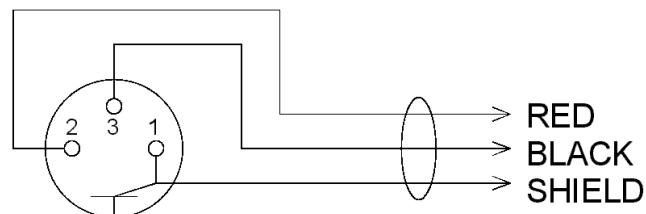
Red to pin #2; Black to pin #3; Shield to pin #1

Installation Note

The **ASTATIC GSM-1** easily retrofits into the same mounting holes of a commonly used but less effective rubber band style shock mount that requires a 1-3/8 inch center hole.



GSM-1 shown with Astatic 215 mini-gooseneck microphone.



GSM-1 Schematic

Architects' and Engineers' Specification

The product shall be an **ASTATIC GSM-1** shock isolation mount for use with mini-gooseneck microphones. The shock mount will feature a dual point suspension system which holds the microphone firmly in place yet provides superior shock isolation. The shock mount will feature a 3 pin quick disconnect standard type female XLR connector for easy attachment and removal of the gooseneck microphone, and 6 feet of unterminated balanced line cable. The mount will be of heavy duty steel construction with **ASTATIC I.N.R.**TM (Impact Noise Rejection) custom formulated elastomer shock mount bushings. The **ASTATIC GSM-1** shock isolation mount will provide over 20 dB reduction of transmitted impact and surface noise. The mount will be finished in black urethane paint. The dimensions of the mount will be 2.125" (56 mm) at the largest diameter, have an overall height of 3.076" (78 mm) and mount into a 1 1/4" diameter hole with three included wood screws. The weight of the mount will be 14 oz. (395 grams). The **ASTATIC Model GSM-1** is specified.

Microphone Recommendations

The **GSM-1** can be used with all **ASTATIC** mini-gooseneck microphones, including the **910**, **915** and the **920** in the **900** series, the economical **827-13** and **827-17** or our popular speciality **CTM 16**, **CTM 17** and the **CTM 18** with additional internal shock mounting and pop filter. The **GSM-1** can also be used with the **215** and **220** mini-gooseneck microphones which feature an on-off switch and power indicator on the base of the microphone.

TWO-YEAR LIMITED WARRANTY

CTI Audio, Inc. ("ASTATIC") hereby warrants that this product will be free of defects in material and workmanship for a period of two years from the date of purchase. In the unlikely event a defect occurs Astatic will, at its option, either repair or replace with a new unit of equal or greater value. You should retain proof of purchase to validate the purchase date and return it with any warranty claim. Return warranty claims carefully packed, insured and prepaid to the Service Department at the address listed below.

This warranty excludes exterior finish or appearance, damage from abuse, misuse of the product, use contrary to Astatic's instructions or unauthorized repair. All implied warranties or merchantability or fitness for a particular purpose are hereby disclaimed and Astatic hereby disclaims liability for incidental, special or consequential damages resulting from the use or unavailability of this product.

This warranty gives you specific legal rights and you may also have other rights which vary from state to state. Some states do not allow the exclusion or limitation of incidental or consequential damages or limitations on how long an implied warranty lasts, so the above exclusions and limitations may not apply to you.

Note: No other warranty, written or oral is authorized by CTI Audio, Inc.