



Commercial Audio Products

930VP / 930VPW

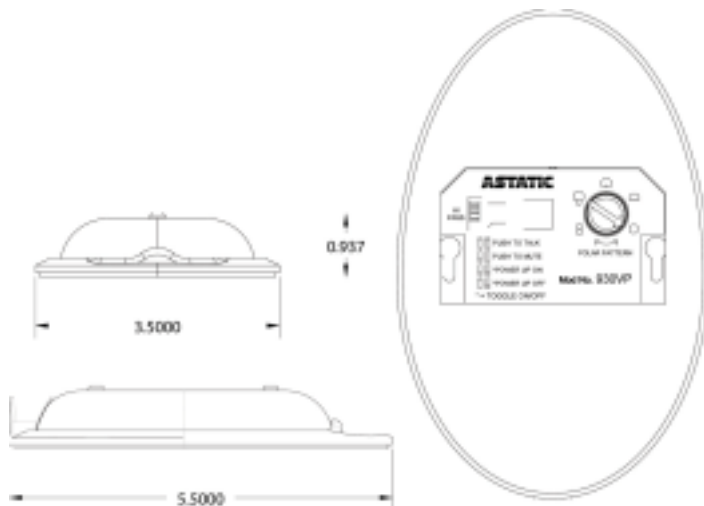
VARIABLE PATTERN CONDENSER BOUNDARY MICROPHONES

Description

The **ASTATIC 930VP** is a superior, low noise, multi-pattern surface mounted boundary microphone. The **930VP** is equipped with a multi function mute and switch selectable high pass filter. It is ideal for use on altars, conference tables, stage floors, or television production. Also available in white (**930VPW**).

The **930VP**'s electronics features an advanced transformerless design, that is self contained to eliminate the need for mounting any external boxes. The **930VP** offers a continuously variable polar pattern. Choose cardioid, super cardioid, figure of eight, omni-directional, or any pattern in-between. You no longer need to guess which polar pattern will provide the best gain before feedback. Just dial in the best polar pattern at installation time. The **930VP** contains a soft touch membrane mute switch. This momentary touch mute switch can be configured for push-to-talk, push-to-mute, or push on/off. In the push on/off mode, the **930VP** can be configured to power up either on or off. In multiple microphone applications, choose which microphones are live when the system is turned on. An LED indicates when the microphone is on. The **930VP** is equipped with a switch selectable 12 dB per octave high pass filter that is perfect for eliminating low frequency rumble.

The die cast zinc base and perforated steel screen construction makes this microphone extremely rugged. The foam filter located under the steel screen suppresses pops and wind noise. The **930VP** can be permanently mounted on most flat surfaces using the two mounting holes located on the bottom of the microphone. When mounted on a flat surface, the **930VP** will take advantage of the "boundary effect" increase in signal to noise ratio. The **930VP** comes with 30 feet of detachable high quality microphone cable that is terminated with a standard professional XLR connector.



Features

- Continuously Variable Pick-Up Pattern Selector Potentiometer
- Programmable Feather-Touch Membrane Switch
- Selectable Push-To-Talk or Push-To-Mute
- Selectable Power-Up ON or Power-Up MUTED
- Selectable Bass Roll-Off Filter (12dB/oct @ 200Hz)
- Status LED
- Special Energy Absorbing Shockmount Compound On Bottom
- Security Control Cover
- Available In White

ASTATIC Quality

All **930VP** microphones are audio tested and inspected prior to shipment. Our absolute commitment to quality insures that **ASTATIC** microphones remain the **Best Value** in today's competitive industry.

SPECIFICATIONS FOR 930VP



Specifications:

Type:

Electret Condenser Microphone

Polar Pattern:

Cardioid / Omni-Directional / Figure 8, Continuously Variable

Frequency Response:

40Hz - 15KHz

Sensitivity:

-32dBV (25mV) @ 1Pa

Rated Impedance:

330 ohms

Equivalent Noise Level:

<26dB-A

Maximum SPL:

118dB

Signal To Noise Ratio:

>68dB

Power Supply:

48V phantom

Current Consumption:

6mA

Connector:

Mini XLR

External Size:

5 1/2 (140mm) x 3 1/2 (89mm) x 15/16 (24mm)

Weight:

180g

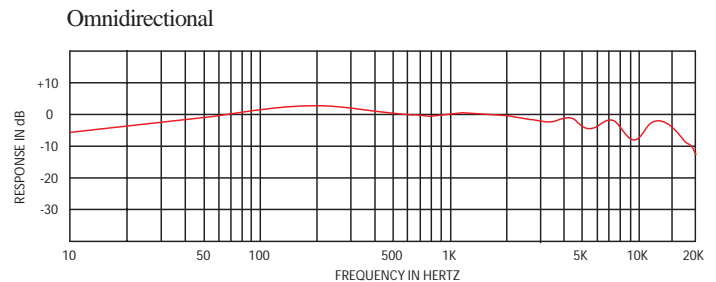
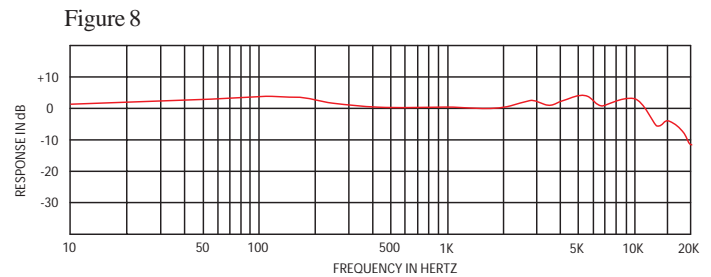
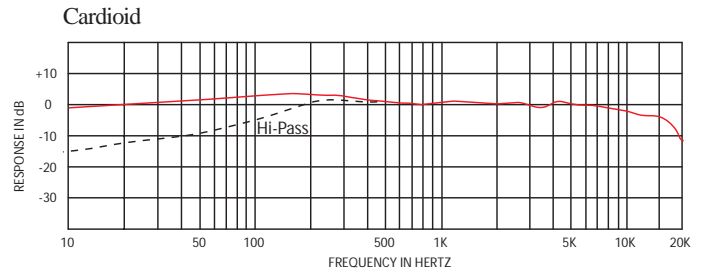
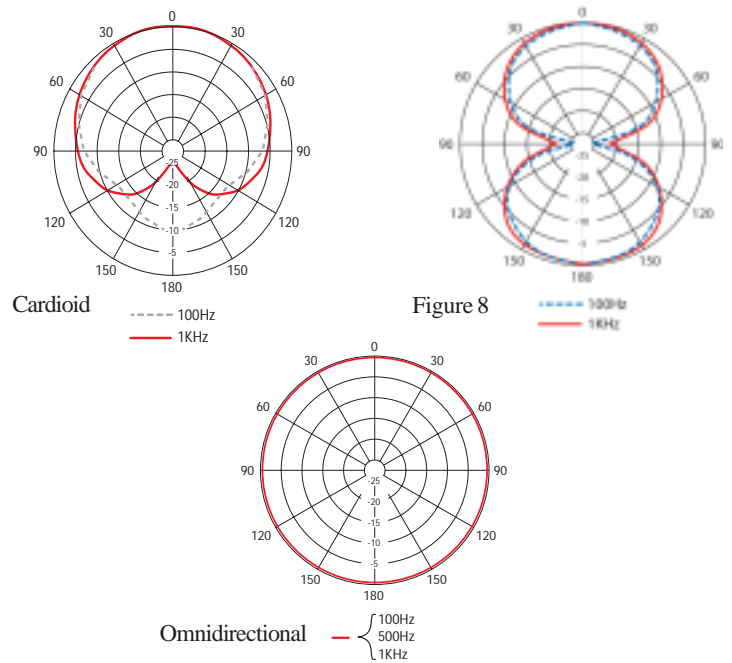
Architect's and Engineers' Specification

The microphone shall be an ASTATIC 930VP. The microphone shall be a miniature dual electret boundary microphone. The frequency response will be 40Hz - 15KHz. The microphone shall have a continuously adjustable polar pattern.

The output level of the 930VP shall be -32dBV (25mV) @ 1Pa. The microphone will have a miniature 3 pin connector and be supplied with a 30 foot cable that has a mating connector on one end and a professional 3 pin XLR type connector on the other end. The microphone shall have a switch selectable high pass filter with -3dB at 80 Hz and slope of 12dB per octave when enabled. The microphone shall have a locally controlled mute that will provide greater than 60dB of attenuation when enabled. The mute shall be configurable for normally muted / momentary push-to-talk, normally on / momentary push-to-mute or latch on / latch off operation. When configured for latch on / latch off operation, the microphone shall be configurable to either power up on or power up off. The microphone shall have a red LED that will indicate if the microphone is on or off. The microphone will operate from standard 48V phantom power with a current consumption of less than 6 mA.

The dimensions of the microphone shall be 5 1/2" long, 3 1/2" wide, and 15/16" high. The weight shall be 4.6 oz not including the cable. The microphone will have a durable urethane painted finish. The microphone will be black with a black cable or white with a white cable.

The ASTATIC Model 930VP is specified.



TWO-YEAR LIMITED WARRANTY

ASTATIC Microphones are warranted for two years to the original purchaser from the date of purchase by Omnitronics, LLC to be free from defects in material and workmanship. In event of such defect, product will be repaired or replaced at Omnitronics, LLC discretion with a new unit of equal or superior value. This will be at no charge if delivered prepaid to Omnitronics, LLC, together with the proof of purchase and a Return Authorization number. The unit will be returned promptly prepaid. Warranty excludes exterior finish, appearance items, or malfunction due to abuse or operation under other than specified conditions. Consequential or incidental damages are excluded.

This warranty gives you specific legal rights and you may also have other rights which vary from state to state. Some states do not allow the exclusion or limitation of incidental or consequential damages or limitations on how long an implied warranty lasts, so the above exclusions and limitations may not apply to you.

Note: No other warranty, written or oral is authorized by Omnitronics, LLC.

SHIPPING INSTRUCTIONS

Please call our customer service department at 440-593-1111 for a pre-approved return authorization number and carefully repack the unit and return it to: Omnitronics, LLC, 341 Harbor St., Conneaut, OH 44030.

ALL RETURNS MUST HAVE A PRE-APPROVED RETURN AUTHORIZATION NUMBER OR IT WILL BE REFUSED.

If outside the United States, contact your dealer or distributor for warranty details.