

Description

The Astatic Model 552 is a semidirectional, low impedance, dynamic microphone designed to provide years of dependable service under punishing conditions in any environment.

A versatile DPDT switching arrangement permits use in any communication system.

The model 552 is sharply responsive to voice frequencies (see curve on back side) and effectively reduces background noise.

The housing is virtually indestructible and is sealed against harmful or corrosive vapors.

A heavy duty coiled cord with a molded strain relief to ensure long life, extends safely to 1.8m (6 ft.)

Manufactured in the U.S.A. by Astatic, producers to quality microphones since 1932.

Applications

PAGING: Excellent for close talking indoor or outdoor, especially where background noise, moisture, high temperatures, dust and corrosive vapors are a problem. The tailored frequency response provides high intelligibility even in the most critical situations. Ideal for steel mills, factories, warehouses, engine rooms, airports, etc.

MOBILE COMMUNICATIONS: The ruggedness of the Model 552, including a virtually indestructible housing and a heavy duty neoprene coil cord, make it an excellent choice for trucks, motorcycles, helicopters, buses, taxi cabs, trains, etc. The tailored frequency response is ideal for high intelligibility and effectively reduces background noise.

Architects' And Engineers' Specifications

The microphone shall be an Astatic Model 552, or equivalent. It shall be a dynamic type with a frequency response of 300 to 6500 Hz at low impedance. The microphone shall have a semidirectional polar pattern. The microphone shall provide high intelligibility and low background noise pickup.

The output level shall be -58dB (0dB = 1 mw/10 microbars) at an impedance of 400 ohms,

The microphone shall be fitted with a sealed, lever operated, push-to-talk switch with gold alloy contacts arranged in double pole, double throw conformation so that when the switch lever is depressed both the auxiliary control circuit and the signal output are actuated.

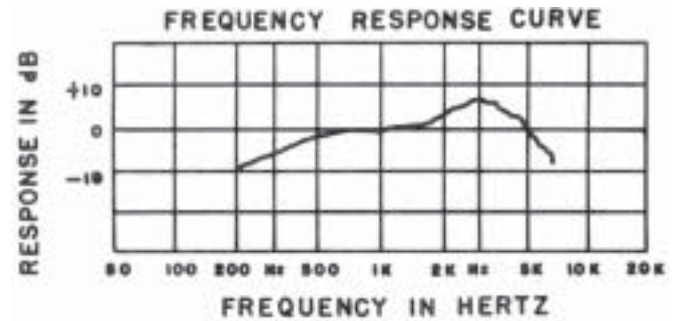
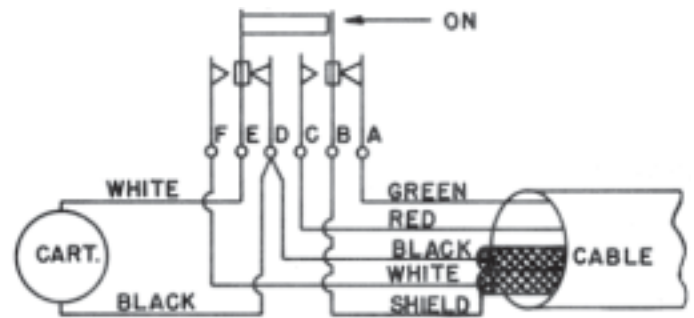
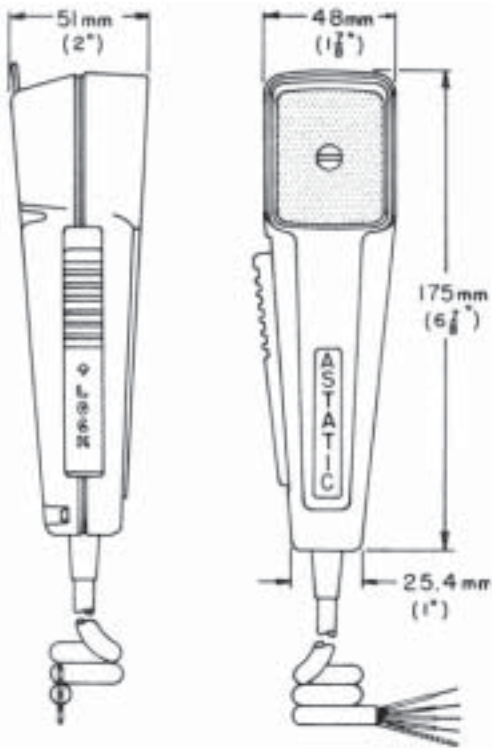
It shall be equipped with heavy-duty black neoprene coiled cord, capable of being extended to 1.8m (6') in length. The cable shall have two shielded microphone conductors plus two relay conductors. A durable strain relief bushing is to be provided to protect the cable at the microphone housing.



The microphone case shall be of "Derlin" or equivalent and shall be sealed against the entrance of moisture or corrosive vapors by means of a suitable seal between front and rear halves of the housing. Nevertheless, it should be possible to open the housing, if necessary, and then reseal it using no special tools. Similarly, it must be possible to remove the grille to clean beneath it and then replace it without violating moisture proof qualities of the microphone.

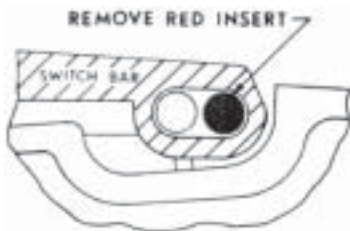
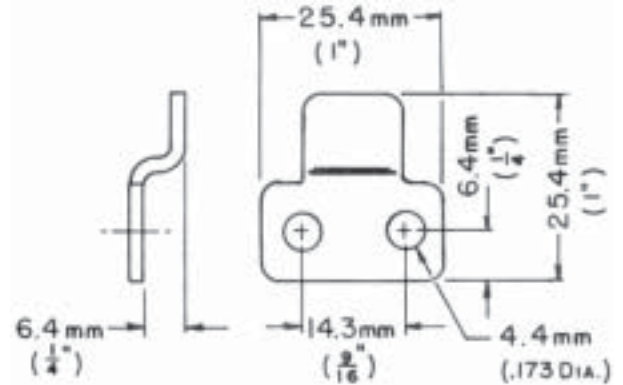
The microphone shall weigh approximately 424 grams (15 oz.), and should not exceed 178mm x 51mm (7" x 2" x 2") in size.

SPECIFICATIONS FOR 552



CLEANING: Coin tightened screw facilitates easy grille removal. Rinse gently in detergent solution or wipe with any thinner to clean housing or isolating vane from accumulated dirt. Iron fillings can easily be removed from vane with a magnet or a brush.

SWITCH ACTION: Grip-to-talk lever when depressed activates both the microphone and control circuit. The microphone is assembled for non-locking operation. Should locking action be desired, remove 5 screws at back of microphone. Carefully remove rear housing. Remove red insert (see diagram below) in switch bar slide cavity. Reassemble microphone carefully to assure proper seal. To "lock on" microphone, move switch bar upwards from depressed position.



TWO-YEAR LIMITED WARRANTY

Omnitronics, LLC ("ASTATIC") hereby warrants that this product will be free of defects in material and workmanship for a period of two years from the date of purchase. In the unlikely event a defect occurs ASTATIC will, at its option, either repair or replace with a new unit of equal or greater value. You should retain proof of purchase to validate the purchase date and return it with any warranty claim. Return warranty claims carefully packed, insured and prepaid to the Service Department at the address listed below.

This warranty excludes exterior finish or appearance, damage from abuse, misuse of the product, use contrary to ASTATIC's instructions or unauthorized repair. All implied warranties or merchantability or fitness for a particular purpose are hereby disclaimed and ASTATIC hereby disclaims liability for incidental, special or consequential damages resulting from the use or unavailability of this product.

This warranty gives you specific legal rights and you may also have other rights which vary from state to state. Some states do not allow the exclusion or limitation of incidental or consequential damages or limitations on how long an implied warranty lasts, so the above exclusions and limitations may not apply to you.

Note: No other warranty, written or oral is authorized by Omnitronics, LLC