



Commercial Audio Products

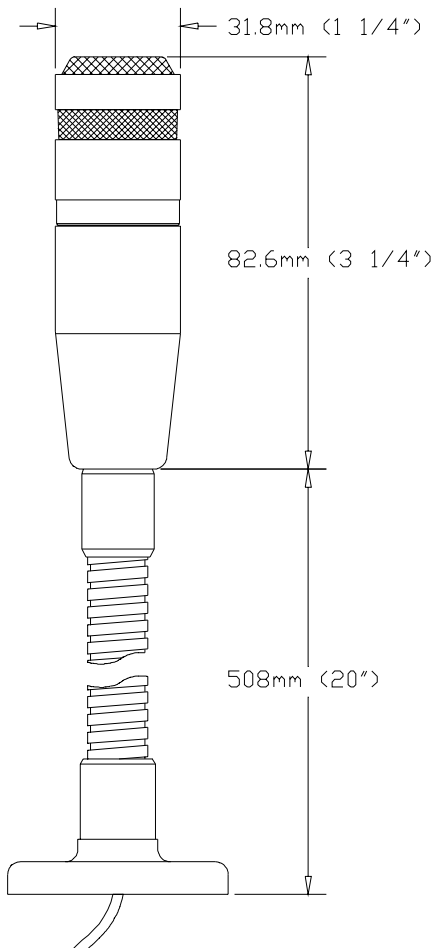
119S / 119S-19

DYNAMIC CARDIOID GOOSENECK MICROPHONE with PUSH TO TALK

Description

The **ASTATIC 119S** and **119S-19** are dynamic cardioid microphones with a momentary push button switch, designed especially for gooseneck mounting in quality sound reinforcement and communication installations. The **119S-19** includes a 20" chrome gooseneck and flange. The **119 Series** microphones feature *all metal construction* and are extremely rugged and reliable. They will stand up under the most strenuous handling conditions to provide years of dependable service. The **119 Series** features *balanced* line wiring to allow use with long runs of cable without hum or noise pickup. The momentary push button switch is a double pole, double throw snap action type with gold plated contacts. The microphone element is wired *normally open*. The push button switch also connects to an extra pair of leads in the cable for any additional switching requirements. A slightly rising high frequency response and a gentle low frequency roll-off, assures excellent voice reproduction. A superior cardioid directional pattern minimizes feedback, background noise, reverberation, off-axis coloration and placement problems. An internal vibration isolation system, consisting of a special rubber mounting ring and a rubber stabilizing ring as support for the generating element, reduces gooseneck, stand and handling noise. An effective internal multistage blast filter controls breath "pop" and wind disturbances.

The **119S** and **119S-19** have a *low impedance* output and are supplied with a rugged four conductor two shielded cable. The cable length for the **119S** is 2.1m (7') and for the **119S-19** the cable length is 1.7m (5 1/2'). The **119S** and **119S-19** are finished in satin chrome.



ASTATIC Quality

All **119S** and **119S-19** microphones are audio tested and inspected prior to shipment. Our absolute commitment to quality insures that **ASTATIC** microphones remain the **Best Value** in today's competitive industry.

SPECIFICATIONS FOR 119S / 119S-19



Specifications

Generating Element:

Dynamic

Polar Pattern:

Unidirectional (Cardioid)

Frequency Response:

80 Hz - 15 KHz

Output Level:

Power Level:

-60 dB (0 dB = 1 mW per 10 microbars)

Open Circuit Voltage:

-77 dB (0 dB = 1 volt per microbar)

1.4 mV/Pascal

Front To Back Ratio:

20 dB

Impedance:

Low (500 ohms nominal)

Connections:

Shield - Microphone ground

Black - Microphone low

Red - Microphone high

White, Green - These wires short together when push to talk button is depressed for additional switching requirements.

For unbalanced operation connect black and shield to ground and use red as microphone high.

Phasing

Positive Pressure on Diaphragm generates a positive voltage on the red cable lead relative to the black cable lead

Cable:

Four conductor, two shielded permanently attached, rugged, synthetic, jacketed cable.

119S - 2.1m (7')

119S-19 - 1.7m (5 1/2')

Switch:

Long life DPDT snap action type with gold plated contacts

Microphone wired normally open

Case:

Die Cast Zinc and Brass

Flange:

2 3/4" Heavy-Duty Die Cast Zinc 5/8" 27 M (119S-19 ONLY)

Gooseneck

19" long by 19/32" diameter chrome (119S-19 ONLY)

Finish:

Plated satin chrome

Dimensions:

119S and 119S-19 - 31.8mm (1 1/4") diameter

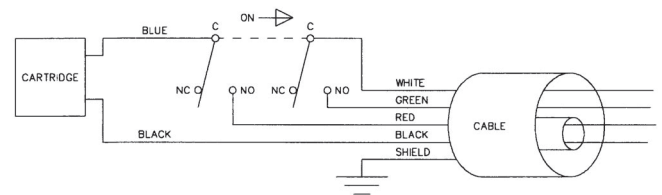
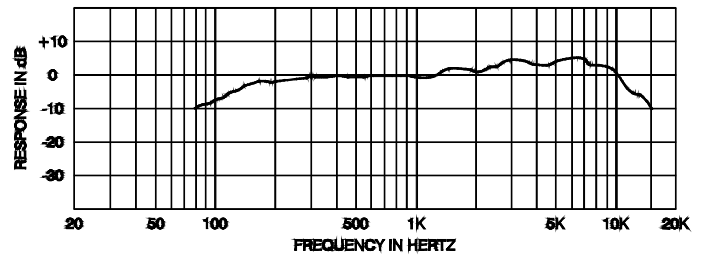
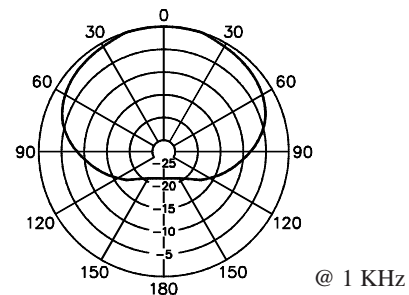
119S-19 - 611.2mm (24 1/16") long (includes gooseneck and flange)

119S - 103.2mm (4 1/16") long

NET Weight:

119S - 340 grams (12 oz.)

119S-19 - 850 grams (30 oz.) (includes gooseneck and flange)



Architects' and Engineers' Specification

The microphone shall be an **ASTATIC 119S** or **119S-19**. The microphone shall be a dynamic moving coil type with a diaphragm made of polyester. The frequency response shall be 80 Hz to 15 KHz. The microphone shall have a cardioid polar pattern.

The output level of the **119S** or **119S-19** (500 ohms) shall be -60 dB (0 dB = 1 mW/10 microbar); -77 dB (0 dB = 1 volt/microbar); 1.4 mV/Pa. The microphone will feature an internal shock mounted element to reduce gooseneck and handling noise. The microphone will feature a momentary snap action push to talk switch with gold plated contacts. The microphone will be wired for balanced line operation. The microphone will have a zinc die cast and brass housing and be finished in satin chrome. The **119S-19** microphone will be fitted with a 508mm (20") chrome flexible gooseneck and mounting flange. The **119S** shall have a permanently attached 2.1M (7 ft.) four conductor two shielded synthetic jacketed cable. The **119S-19** shall have a permanently attached 1.7M (5 1/2') four conductor two shielded synthetic jacketed cable.

The overall dimensions shall be 31.8mm (1 1/4") in diameter; 103.2mm (4 1/16") long and for the **119S-19** plus 508mm (20") for the gooseneck and flange. The weight shall be 850 grams (30 oz.) including gooseneck for the **119S-19** and 340 grams (12 oz.) for the **119S**.

The **ASTATIC Model 119S** or **119S-19** is specified.

TWO-YEAR LIMITED WARRANTY

Omnitronics, LLC. ("ASTATIC") hereby warrants that this product will be free of defects in material and workmanship for a period of two years from the date of purchase. In the unlikely event a defect occurs ASTATIC will, at its option, either repair or replace with a new unit of equal or greater value. You should retain proof of purchase to validate the purchase date and return it with any warranty claim. Return warranty claims carefully packed, insured and prepaid to the Service Department at the address listed below.

This warranty excludes exterior finish or appearance, damage from abuse, misuse of the product, use contrary to ASTATIC's instructions or unauthorized repair. All implied warranties or merchantability or fitness for a particular purpose are hereby disclaimed and ASTATIC hereby disclaims liability for incidental, special or consequential damages resulting from the use or unavailability of this product.

This warranty gives you specific legal rights and you may also have other rights which vary from state to state. Some states do not allow the exclusion or limitation of incidental or consequential damages or limitations on how long an implied warranty lasts, so the above exclusions and limitations may not apply to you.

Note: No other warranty, written or oral is authorized by Omnitronics, LLC.