

Meet the new members of our family...



...you're going to fall in love with them.

Admit it. They're irresistible, aren't they? Okay, maybe we're a little proud, but we just can't stop bragging about the little ones – the new *Tilt 'N Plug Jr.*[™] family of tabletop multi-media interconnect solutions from ALTINEX.

They're small. They're adorable. And they get their chores done.

The *Tilt 'N Plug Jr.*[™] family includes five new products: the *Tilt 'N Plug Jr.* (model **TNPI21**), the *Tilt 'N Plug Jr. with Circular Bezel* (model **TNPI31**), the *Tilt 'N Plug Jr. - Twins* (model **TNPI22**), the *Tilt 'N Plug Jr. - Triplets* (model **TNPI23**), and the *Tilt 'N Plug Jr. - Quadruplets* (model **TNPI24**).

Each of these products is designed for mounting into a table, podium, or other furniture to provide a way of connecting audio/visual equipment into a presentation system.

Each uses the same core element, a multimedia input plate that can be “tilted” open when needed and pushed closed when not needed. The plate offers connectors for computer video (VGA-type 15-pin HD), computer stereo audio (3.5mm Stereo Mini Connector), telephone (RJ-11), network (RJ-45) and AC electrical power (standard U.S. 3-prong connector).

The *Tilt 'N Plug Jr.*[™] family of products make use of the most common A/V connectors in a uniquely compact package. If additional connectors are required, you'll want to take a look at the standard larger-sized ALTINEX *Tilt 'N Plug*[™], model **TNP100**.

With the *Tilt 'N Plug Jr.* series, all signals are passed through the input plate to cables on the underside of the



The Tilt 'N Plug Jr.[™] is designed for mounting into a tabletop or into other furniture, such as a podium. In its closed position, the input connector panel is hidden and the top of the unit sits flush with the table.



To access the input plate of the Tilt 'N Plug Jr.[™], the user simply “tilts” the front panel upward. Once open, the Tilt 'N Plug Jr.[™] requires pressure on the top lid to close it.



In its raised position, the Tilt 'N Plug Jr.[™] offers inputs for computer video, computer audio, network, telephone/modem, and AC power. All signals are passed through the unit to the underside of the table without passing through circuitry.

table, without passing through circuitry. In some applications, the use of additional ALTINEX signal management solutions — such as computer video interfaces, distribution amplifiers, and switchers — may be desirable.

In its closed position, the core element of the *Tilt 'N Plug Jr.* sits flush with the table. It can be raised into an open position by grasping the front lip of the top panel and lifting it. Once raised, the unit remains steady in its open position until pressure is applied to the top panel to close it. A pneumatic spring is used to insure smooth and easy opening/closing action.

Tilt 'N Plug Jr. model

TNP121 is a basic single unit with a standard bezel.

This model is ideal for use by one individual at one location in a table or podium.

Model **TNP131** is also a single unit, but it offers a circular bezel which may be needed when the input plate must be positioned at an irregular angle. Also, in some situations, the circular bezel can make for an easier installation, as the cutout required is simply a circle.

Model **TNP122**, also known as *Tilt 'N Plug Jr. - Twins*, is a dual unit that provides two input panels side-by-side. Both input panels face the same direction, yet each can be accessed separately. In a conference room, a single **TNP122** can be placed to provide access for two people, reducing the total number of cutouts and plates used in the table.

The **TNP123**, *Tilt 'N Plug Jr. - Triplets*, offers a similar solution, only it provides three separate input

panels aligned in a linear fashion. Once again, with the **TNP123**, all three input panels face the same direction and each can be accessed individually.

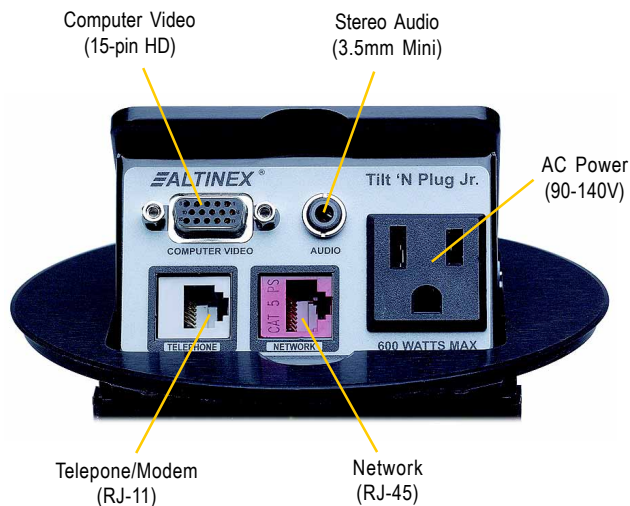
The **TNP124**, *Tilt 'N Plug Jr. - Quadruplets*, provides four separate input plates grouped together in a rectangular configuration, with two input plates facing

one direction and two facing the opposite direction. The *Quadruplets* are designed for mounting in the center of a table, providing access from either side. The *Quadruplets* can service four different users at the same time.

All five of the new *Tilt 'N Plug Jr.* solutions come with a standard top and bezel offering a

high quality matte black finish.

Four optional finishes — Fine Antique Brass, Satin Blush White Gold, Fine Antique Chrome, and Antique Copper — are available on a custom order basis. Also, special bezel configurations may be available for large custom orders. Please contact an ALTINEX representative to discuss custom options.



Input Panel

Optional Top Cover/Bezel Finishes



Fine Antique Brass



Fine Antique Chrome



Satin Blush White Gold



Antique Copper

Please contact ALTINEX to request samples of optional top cover/bezel finishes.

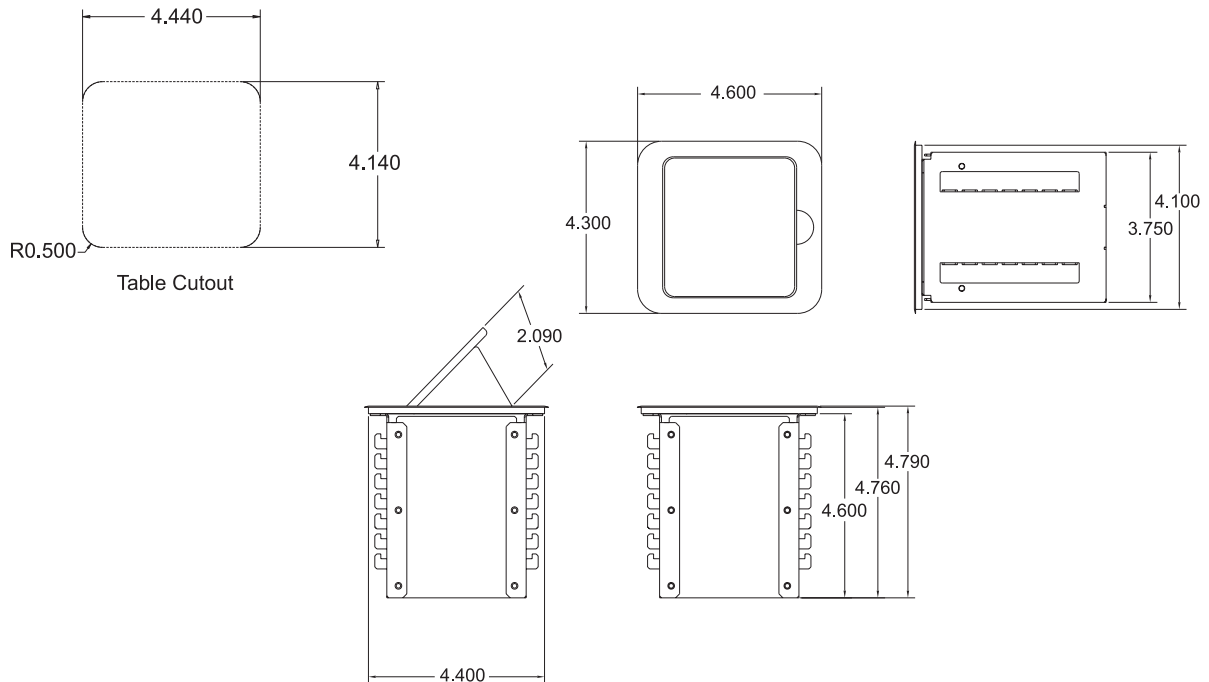
TNP121

Tilt 'N Plug Jr.™ Interconnect Box

- Single Input Plate
- Tilt Up to Open; Push Down to Close
- Connectors Hidden in Closed Position
- Computer Video + Audio Input
- Network Input
- Telephone/Modem Input
- AC Power Outlet



Dimensions/Table Cutout Specifications



Notes: Measurements shown in inches. Always confirm cutout measurements before cutting table.

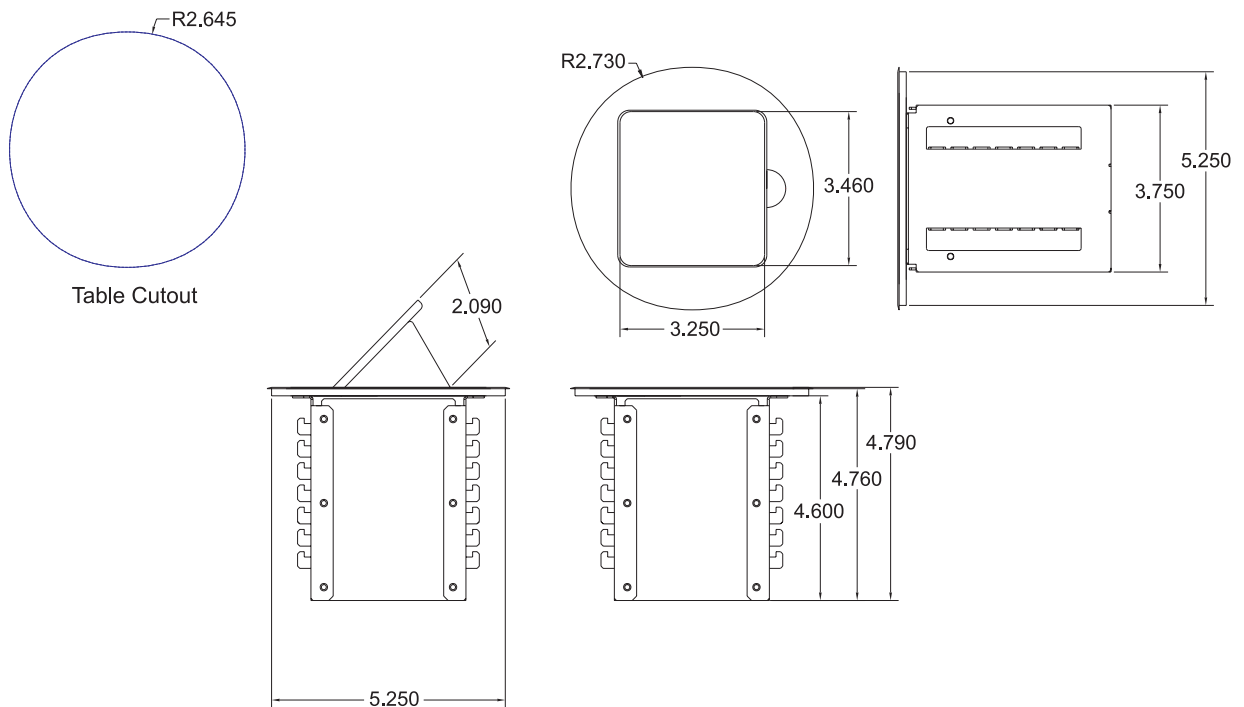


TNP131

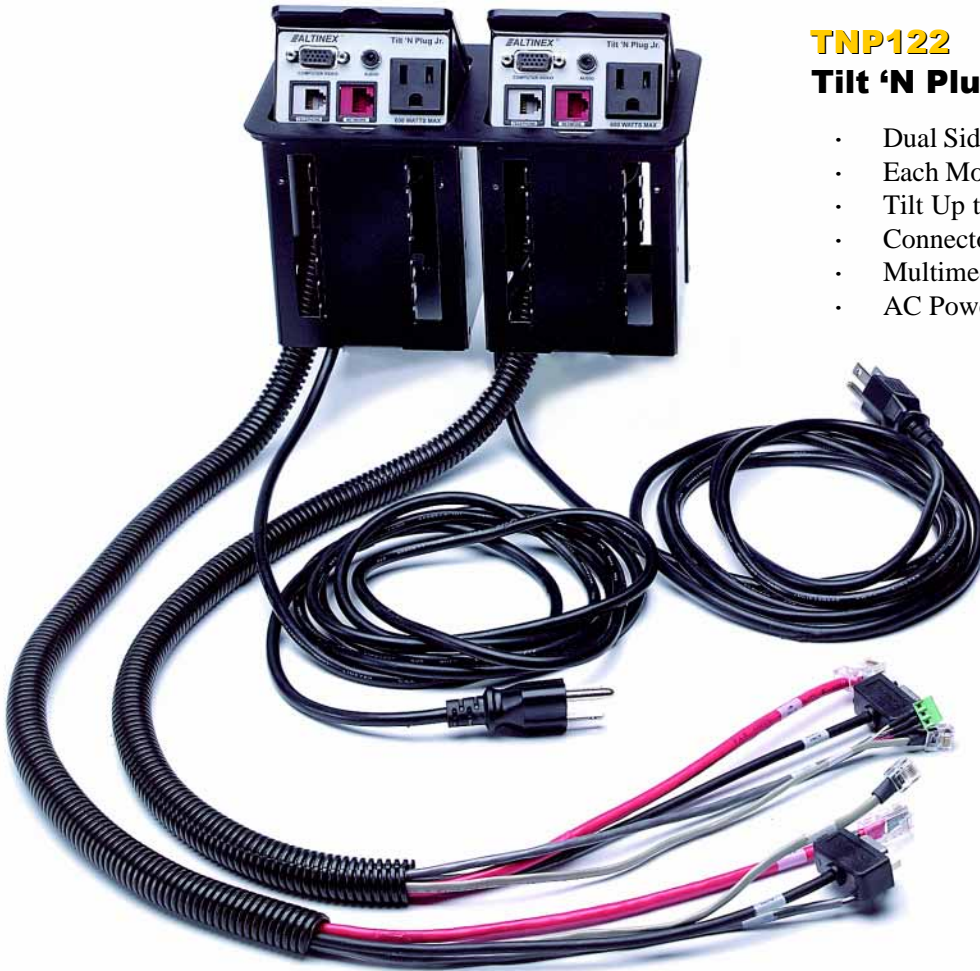
Tilt 'N Plug Jr.™ with Circular Bezel

- Single Input Plate
- Circular Bezel Allows Placement of Input Plate at Irregular Angles
- Tilt Up to Open; Push Down to Close
- Connectors Hidden in Closed Position
- Computer Video + Audio Input
- Network + Telephone/Modem Input
- AC Power Outlet

Dimensions/Table Cutout Specifications



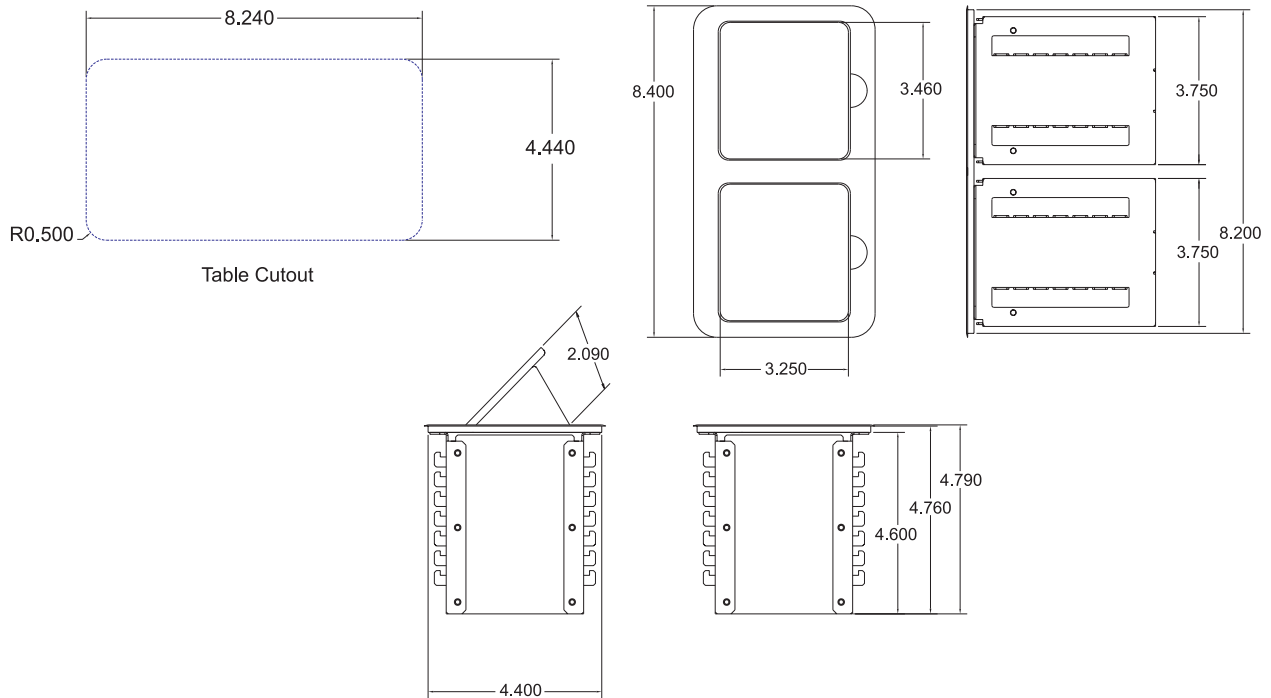
Notes: Measurements shown in inches. Always confirm cutout measurements before cutting table.



TNP122
Tilt 'N Plug Jr.™ - Twins

- Dual Side-by-Side Input Modules
- Each Module Operates Independently
- Tilt Up to Open; Push Down to Close
- Connectors Hidden in Closed Position
- Multimedia Input Connectors
- AC Power Outlets

Dimensions/Table Cutout Specifications

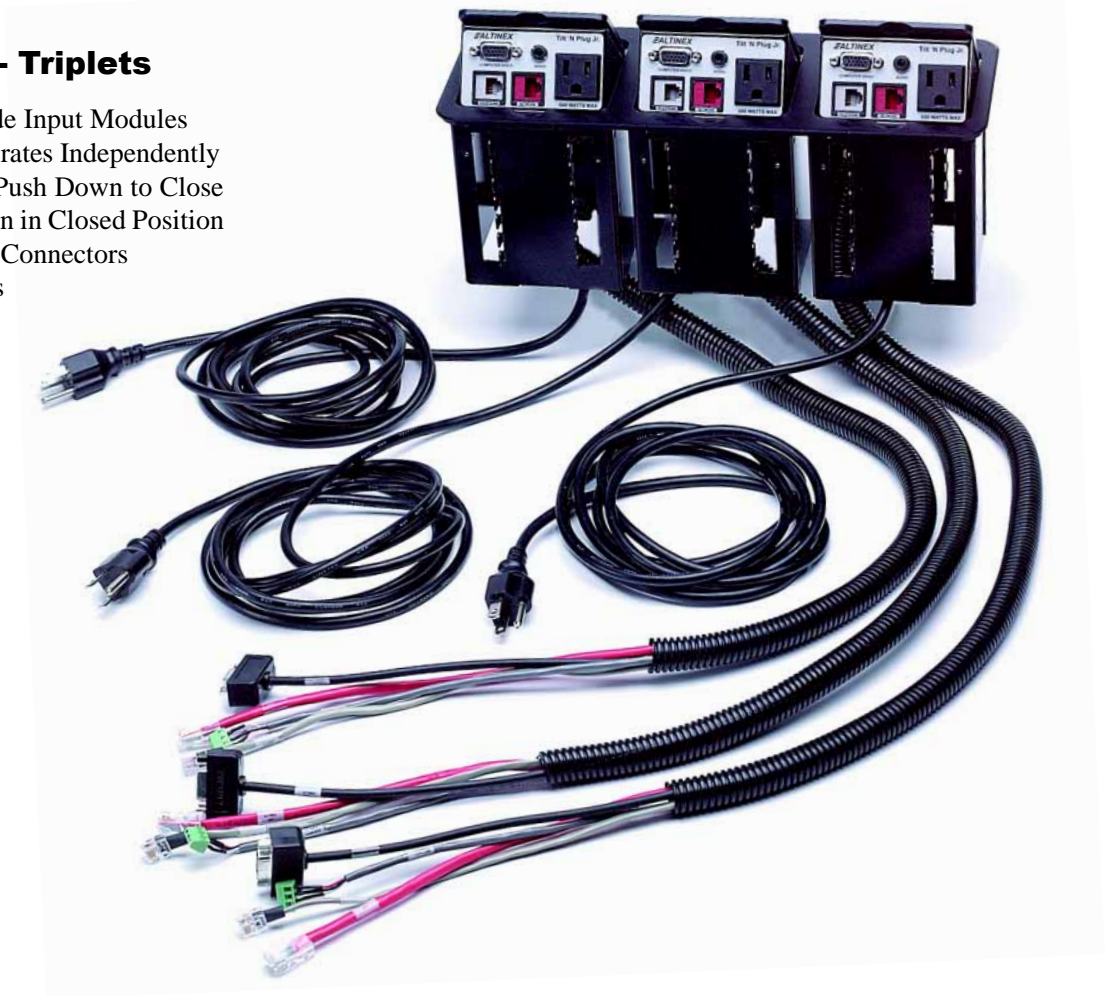


Notes: Measurements shown in inches. Always confirm cutout measurements before cutting table.

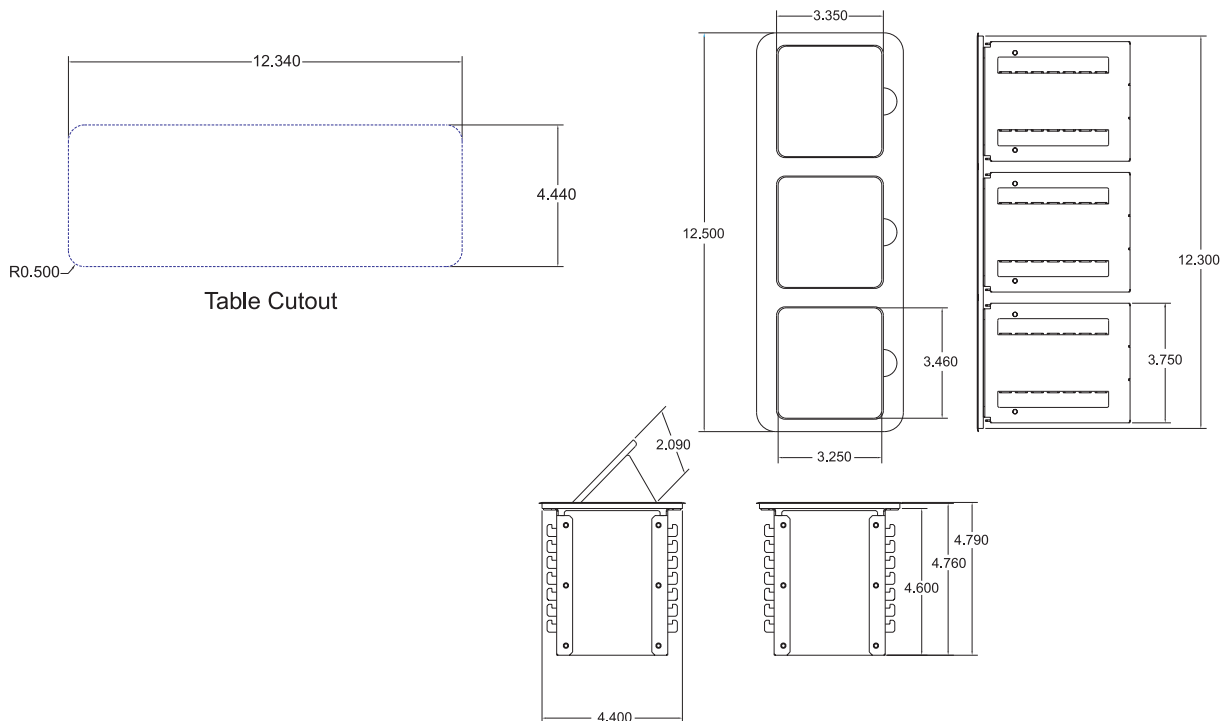
TNP123

Tilt 'N Plug Jr.™ - Triplets

- Three Side-by-Side Input Modules
- Each Module Operates Independently
- Tilt Up to Open; Push Down to Close
- Connectors Hidden in Closed Position
- Multimedia Input Connectors
- AC Power Outlets



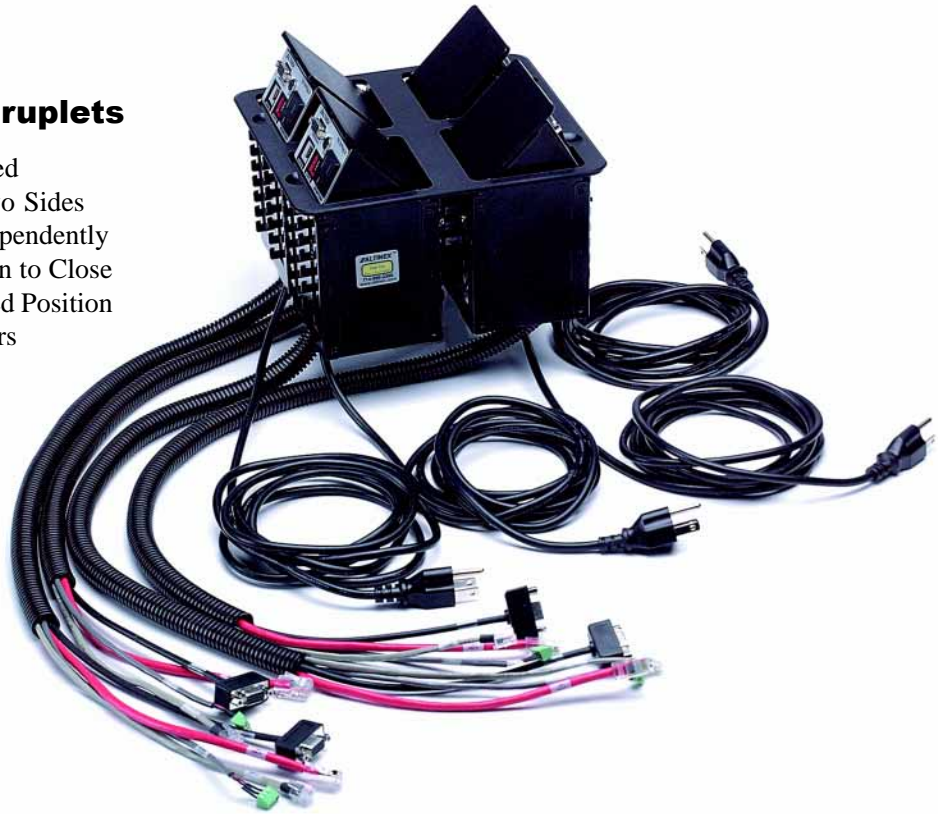
Dimensions/Table Cutout Specifications



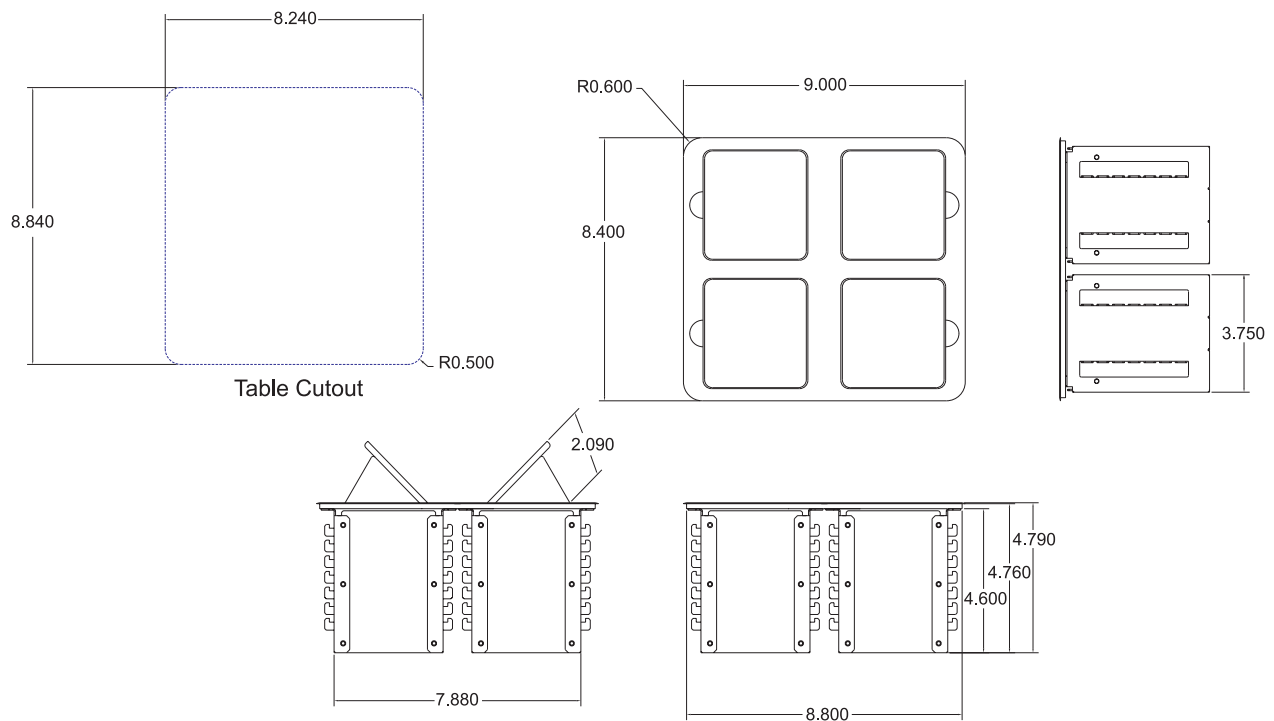
TNP124

Tilt 'N Plug Jr.™ - Quadruplets

- Four Input Modules Grouped to Provide Access from Two Sides
- Each Module Operates Independently
- Tilt Up to Open; Push Down to Close
- Connectors Hidden in Closed Position
- Multimedia Input Connectors
- AC Power Outlets



Dimensions/Table Cutout Specifications



Notes: Measurements shown in inches. Always confirm cutout measurements before cutting table.

ALTINEX®

SIGNAL
MANAGEMENT
SOLUTIONS

ALTINEX, Inc. • 592 Apollo Street • Brea, CA 92821 • U.S.A.
Toll-Free: 1-800-ALTINEX • Tel: 714-990-2300 • Fax: 714-990-3303
E-mail: solutions@altinex.com • Web: www.altinex.com