

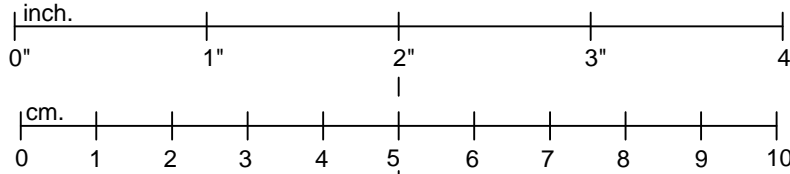
1. STOP

VERIFY ALL DIMENSIONS TO ENSURE THAT THIS PRINT IS 1 TO 1 SCALE.

2. MEASURE

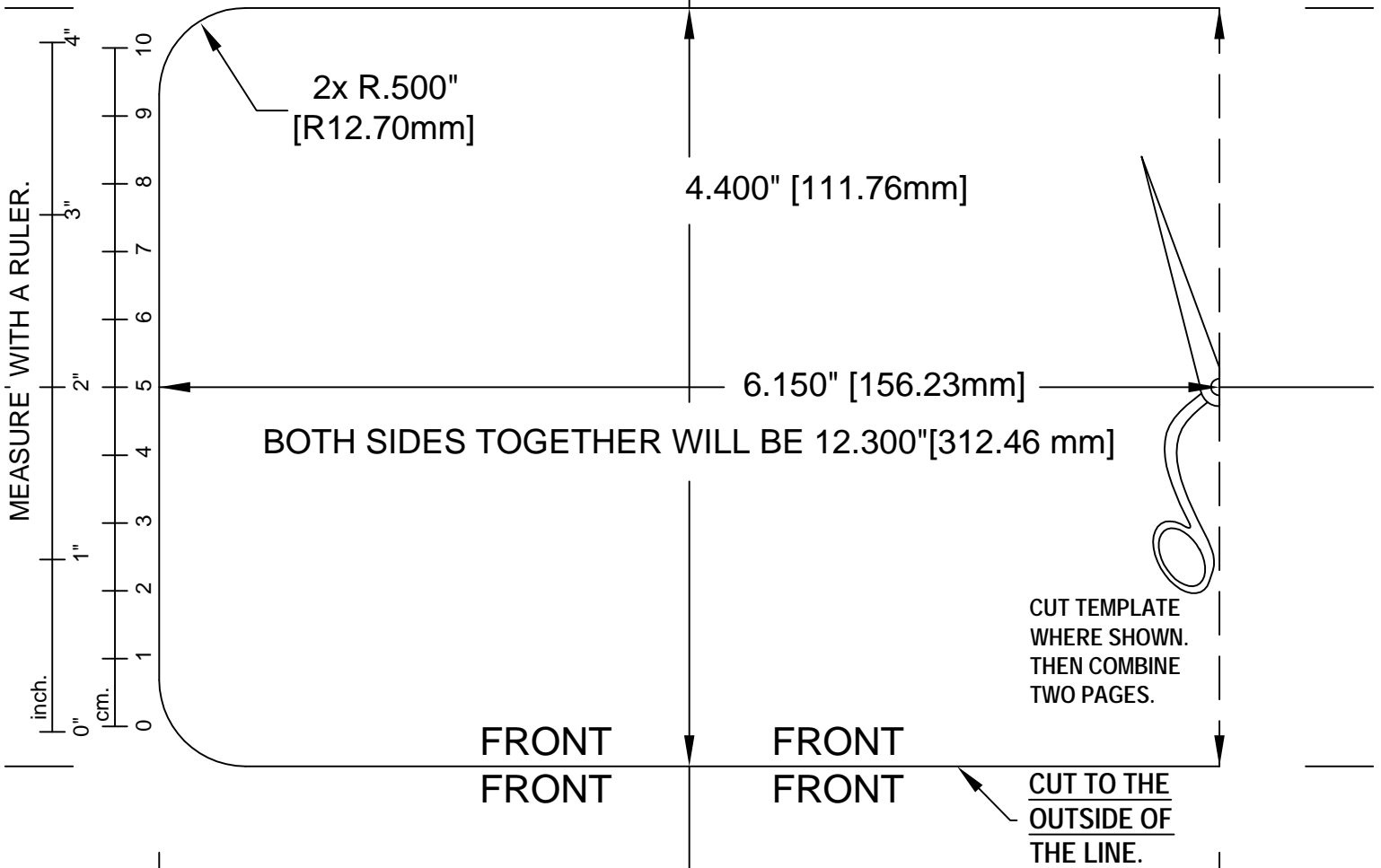
3. CUT

Document p/n:
250-0685-001
Page 1 of 2



MEASURE WITH A RULER.

THIS IS A PRECISION CUT-OUT TEMPLATE.
DO NOT SCALE OR ADJUST!



ALTINEX, INC. IS NOT RESPONSIBLE FOR ANY DAMAGE TO A TABLE OR DESK.

ALTINEX, INC. MODEL NUMBERS:
TNP123 TNP123C
TNP123UN TNP123UNC

ALTINEX[®]

1. STOP

2. MEASURE

3. CUT

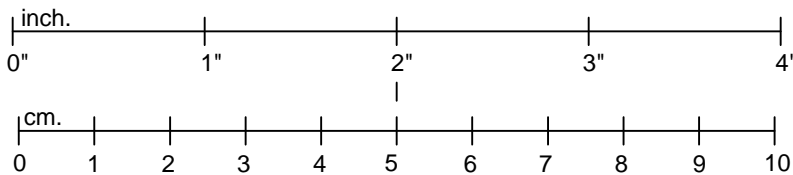
1. STOP

VERIFY ALL DIMENSIONS TO ENSURE THAT THIS PRINT IS 1 TO 1 SCALE.

2. MEASURE

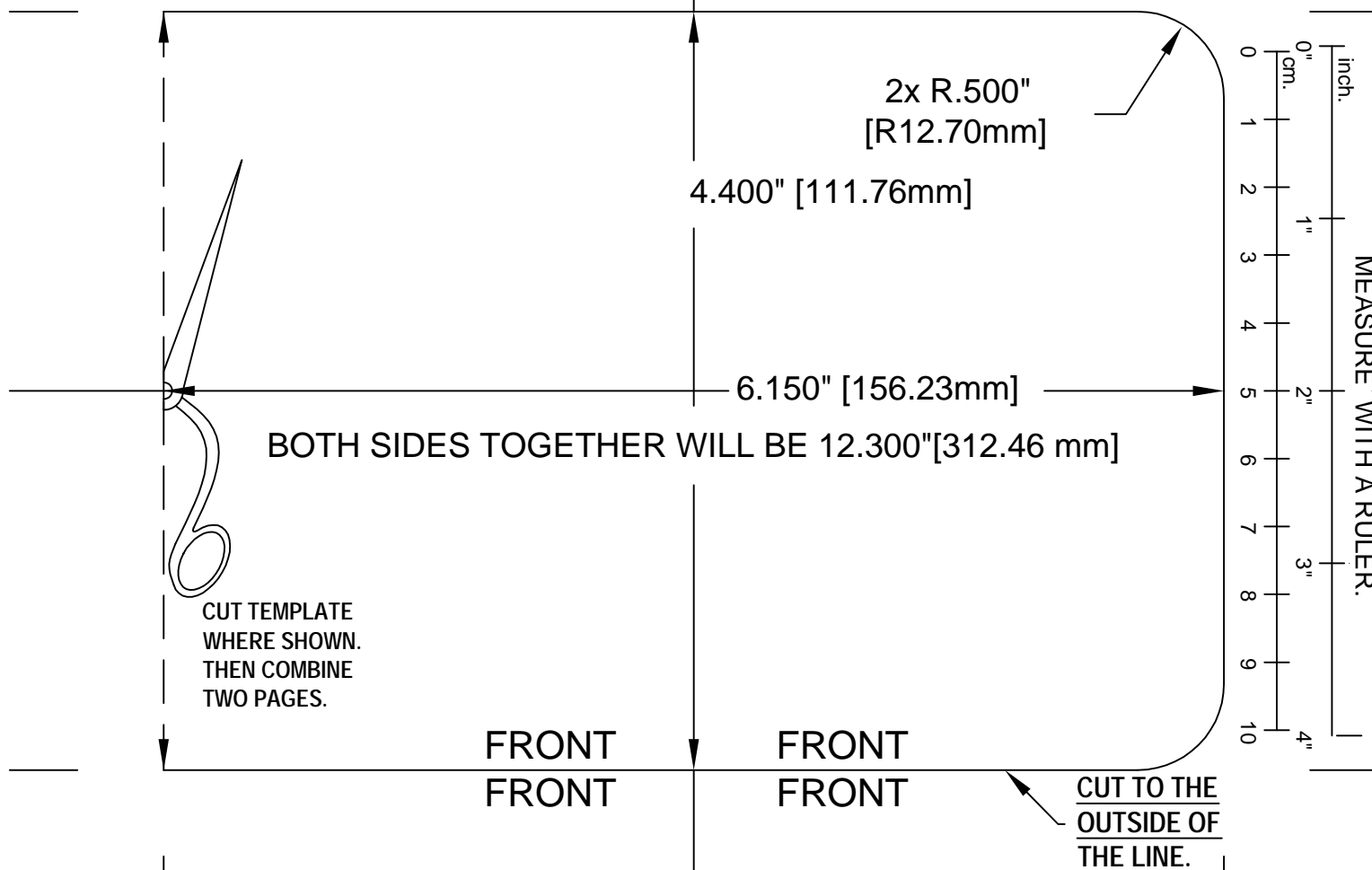
3. CUT

Document p/n:
250-0685-001
Page 2 of 2



MEASURE WITH A RULER.

THIS IS A PRECISION CUT-OUT TEMPLATE.
DO NOT SCALE OR ADJUST!



ALTINEX, INC. IS NOT RESPONSIBLE FOR ANY DAMAGE TO A TABLE OR DESK.

ALTINEX, INC. MODEL NUMBERS:
TNP123 TNP123C
TNP123UN TNP123UNC

ALTINEX[®]

1. STOP

2. MEASURE

3. CUT