



MANUAL PART NUMBER: 400-0345-002

## MT113-102/103

# 3 INPUT STEREO AUDIO MIXER WITH 5W/10W POWER AMPLIFIER CARD FOR MULTI-TASKER. USER'S GUIDE

**TABLE OF CONTENTS**

---

	Page
PRECAUTIONS / SAFETY WARNINGS .....	3
GENERAL .....	3
CLEANING .....	3
FCC / CE NOTICE.....	3
ABOUT YOUR MT113-102/103 .....	4
TECHNICAL SPECIFICATIONS.....	4
DESCRIPTION OF MT113-102/103 .....	5
APPLICATION DIAGRAM .....	6
INSTALLING YOUR MT113-102/103.....	8
OPERATION .....	8
RS-232 CONTROL.....	8
DESCRIPTION OF COMMANDS .....	9
TROUBLESHOOTING GUIDE .....	15
ALTINEX POLICY .....	16

## PRECAUTIONS / SAFETY WARNINGS 1

Please read this manual carefully before using your **MT113-102/103**. Keep this manual handy for future reference. These safety instructions are to ensure the long life of your **MT113-102/103** and to prevent fire and shock hazard. Please read them carefully and heed all warnings.

### 1.1 GENERAL

- Qualified ALTINEX service personnel, or their authorized representatives must perform all service.
- To prevent fire or shock, do not expose this unit to rain or moisture. Do not place the **MT113-102/103** in direct sunlight, near heaters or heat radiating appliances, or near any liquid. Exposure to direct sunlight, smoke, or steam can harm internal components.
- Handle the **MT113-102/103** carefully. Dropping or jarring can damage the card.
- Do not pull the cables that are attached to the **MT113-102/103**.
- Insert the card carefully into the slots of the Multi-Tasker™ without bending any edges.

### 1.2 CLEANING

- Clean only the connector area with a dry cloth. Never use strong detergents or solvents, such as alcohol or thinner. Do not use a wet cloth or water to clean the card. Do not clean or touch any component or PCB.

### 1.3 FCC / CE NOTICE

- This device complies with part 15 of the FCC Rules. Operation is subject to the following two conditions: (1) This device may not cause harmful interference, and (2) this device must accept any interference received, including interference that may cause undesired operation.
- This equipment has been tested and found to comply with the limits for a Class A digital device, pursuant to Part 15 of the FCC Rules.

These limits are designed to provide reasonable protection against harmful interference when the equipment is operated in a commercial environment. This equipment generates, uses, and can radiate radio frequency energy and, if not installed and used in accordance with the instruction manual, may cause harmful interference to radio communications. Operation of this equipment in a residential area is likely to cause harmful interference in which case the user will be required to correct the interference at his own expense.

- Any changes or modifications to the unit not expressly approved by ALTINEX, Inc. could void the user's authority to operate the equipment.

## ABOUT YOUR MT113-102/103 2

MT113-102/103 - 3 in Mixer, 1 fixed line level output and 10W amplifier Card

The **MT113-102/101** is a Stereo Audio Power Amplifier Card designed for use with the MultiTasker™. When installed in the Basic Enclosure (MT100-100), This card allows connection of up to three line level balanced/unbalanced microphone inputs. The Card has a built in dual 5W power amplifier. The **MT113-102** has 70 Volt output for Sound reinforcement speakers and **MT113-103** has Stereo Output to drive 8 Ohms speakers direct.

Mixing of input is selected via easy-to-use ASCII commands from a control system or computer connected to the RS-232 port of the MultiTasker™ Basic Enclosure. The **MT113-102/103** can accept balanced or unbalanced audio inputs and the output can be wired for either balanced or unbalanced audio output.

The **MT113-102** is primarily designed to utilize the 70 Volt speaker system. It has on board Transformer to convert low impedance signal to high voltage, high impedance output signal. This card can supply total of 10 Watts of power to the speakers.

The **MT113-103** is primarily designed to utilize the standard 8 Ohms stereo speaker systems. This card can deliver full 5 Watts of power to each speaker.

Through RS-232 control, the **MT113-102/103** can be controlled to adjust signal level of each input in 32 steps. In addition the volume, treble and bass of the output amplifier can be adjusted in 32 steps.

All three inputs to the amplifier are mixing inputs and can be adjusted from 0db to -60db.

Phantom Power +12V can be connected to the microphone input using dip-switch located on the PCB.

## TECHNICAL SPECIFICATIONS 3

FEATURES/DESCRIPTION	MT113-102/103
<b>GENERAL</b>	
<b>Inputs</b>	
Input Connectors	(3) Terminal Blocks
Input 1	Balanced/Unbalanced Microphone Input
Input 2	Balanced/Unbalanced Microphone Input
Input 3	Balanced/Unbalanced Microphone Input
<b>Outputs</b>	
Output Connectors	(2) Terminal Blocks
Fixed Output	Line Level Balanced/Unbalanced
Speaker Output	MT113-102 70V 10Watts
Speaker Output	MT113-103 8 ohms stereo 5 Watts per channel
<b>Compatibility</b>	Stereo or Mono Audio

Table 1. MT113-102/103 General

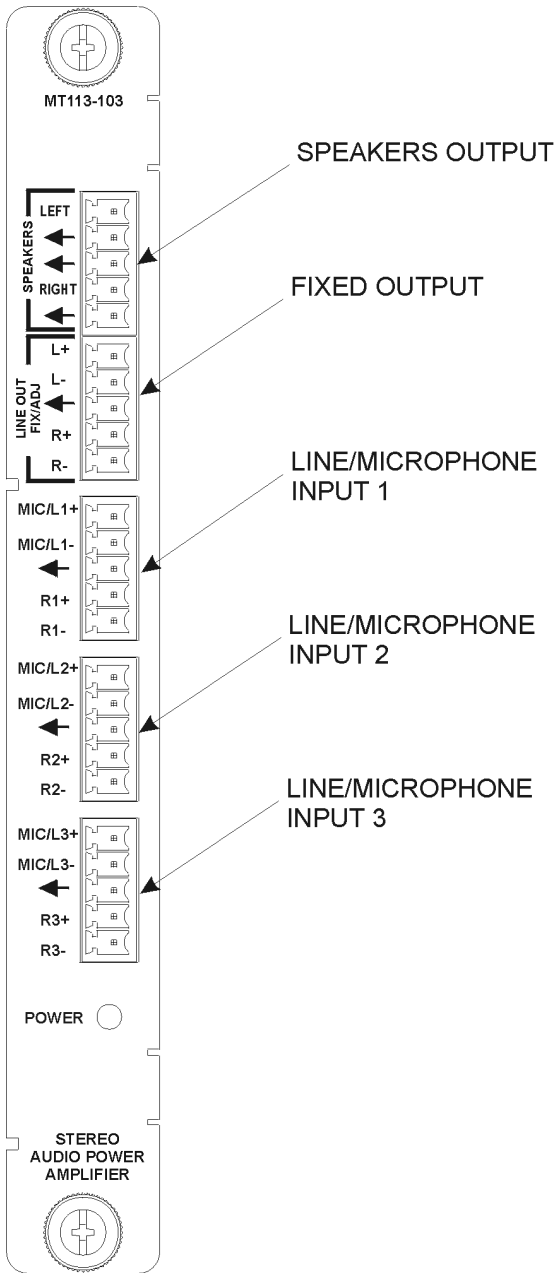
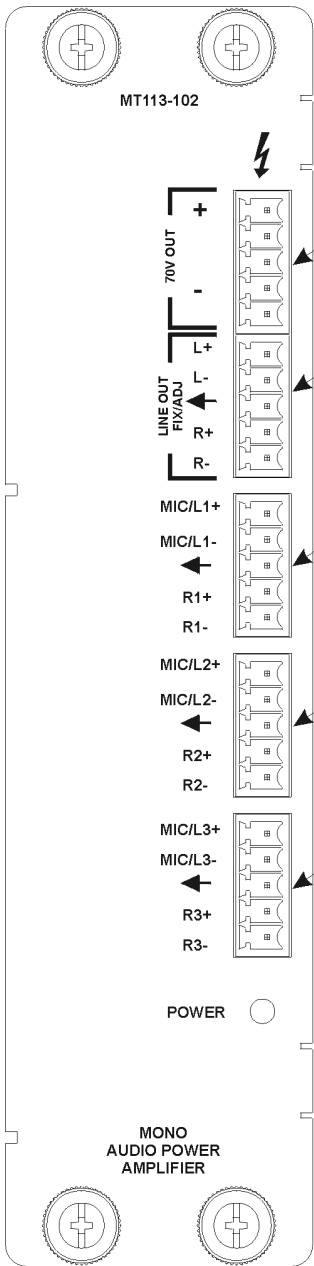
MECHANICAL	MT113-102/103
Basic Enclosure Slots Required	MT113-102 Two Slots MT113-103 One Slot
Weight	2.0 lb (0.45 kg)
Connector Panel	Black
T° Operating	10°C-50°C
T° Maximum	75°C
Humidity	90% non-condensing
MTBF (calc.)	55,000 hrs

Table 2. MT113-102/103 Mechanical

ELECTRICAL	MT113-102/103
<b>Input Signals</b>	
Max Line Level Input	0 dBu (.7V p-p) 10k Ohms
Max microphone Input	-65dBu (2-10mv) 47 Kohm
<b>Power Amplifier</b>	
Output Power	Stereo 5 Watts per channel
	Mono 10 Watts 70V output
Frequency Response	10 Hz to 20 kHz (+/- 0.5 dB)
Noise Floor	-97 dB @ 20 kHz

Table 3. MT113-102/103 Electrical

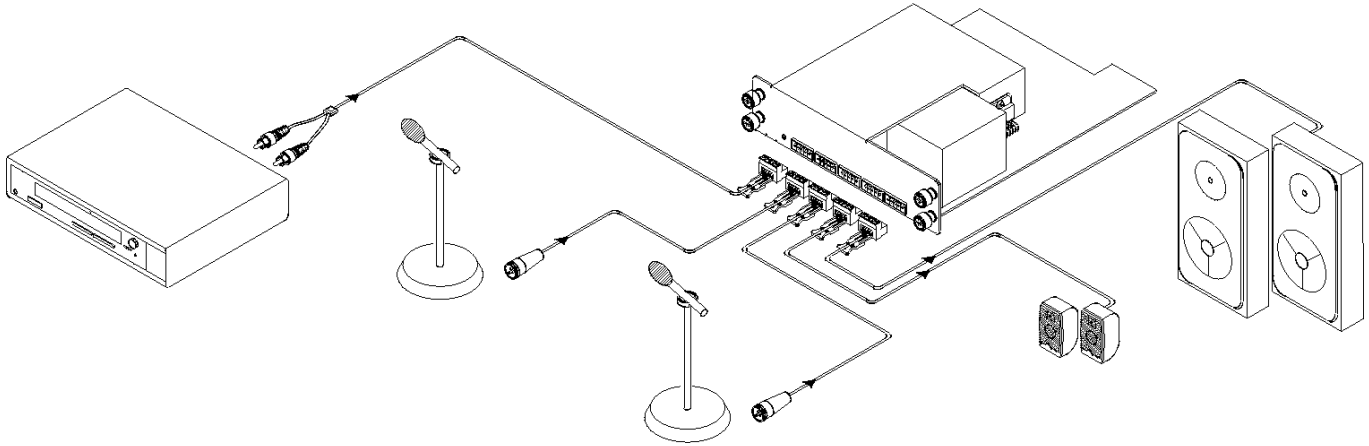
DESCRIPTION OF MT113-102/103 4



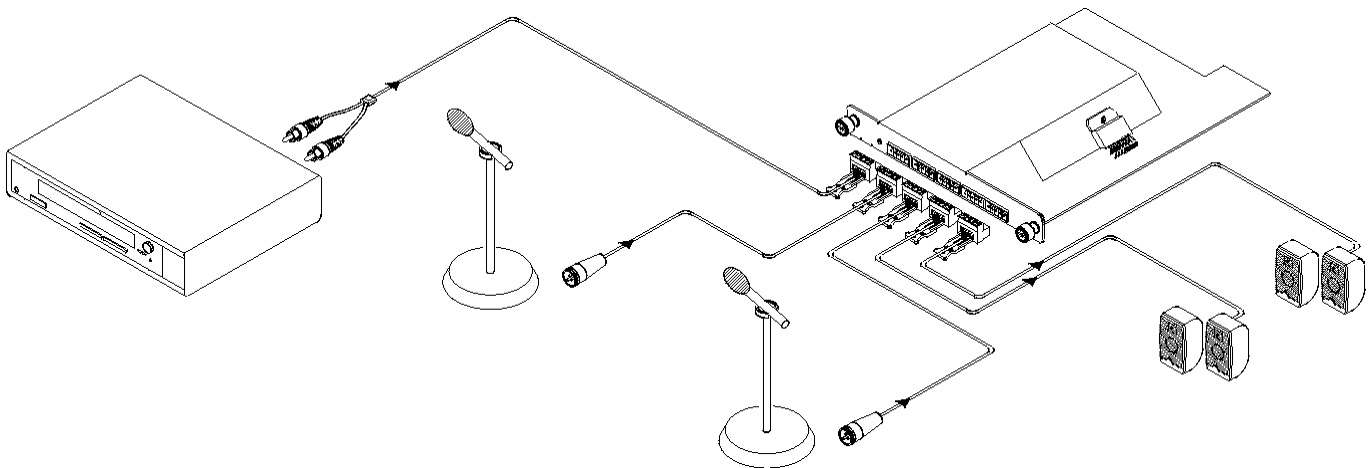
## APPLICATION DIAGRAM

5

### Application Diagrams

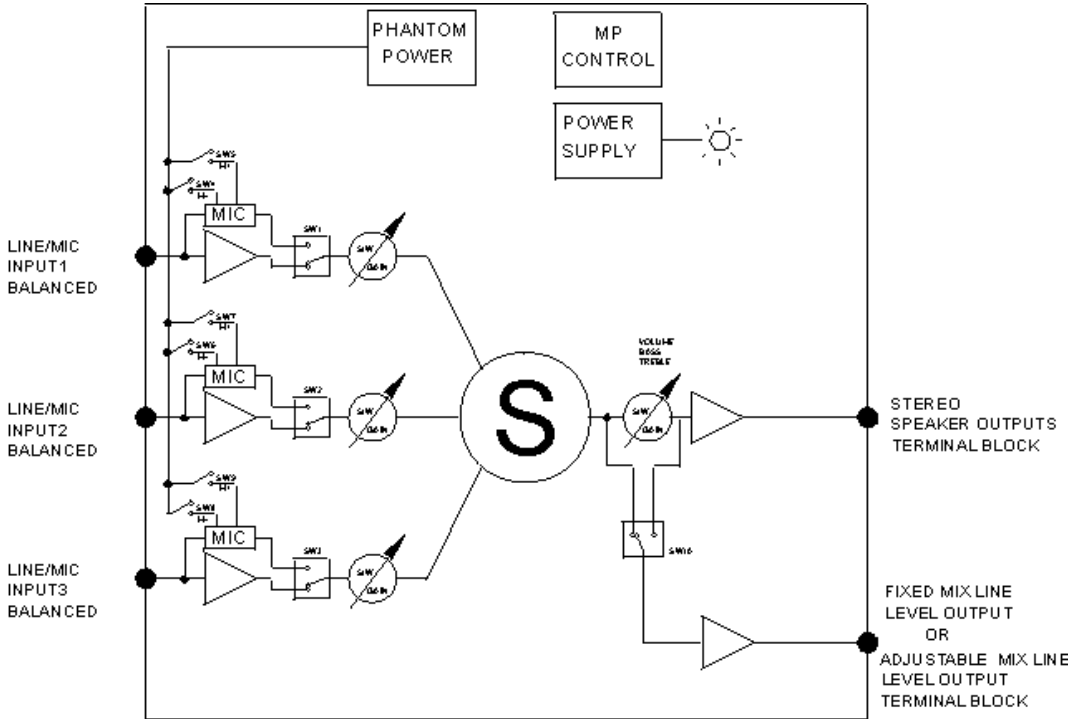
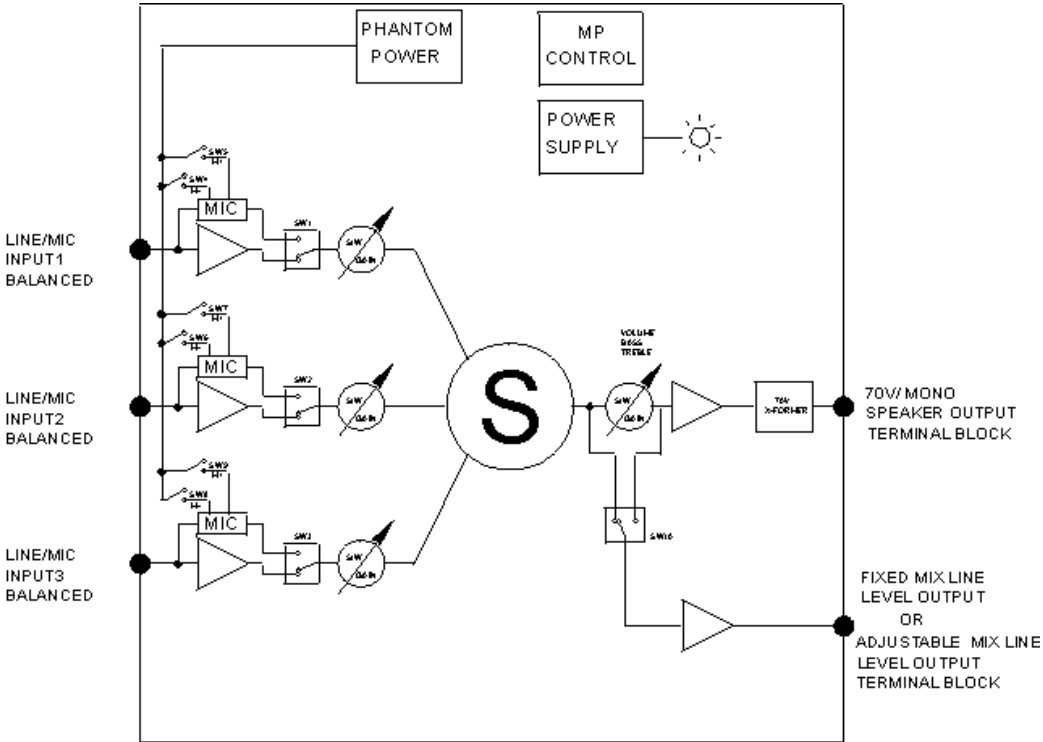


MT113-102 Application Diagram



MT113-103 Application Diagram

## Block Diagrams: Internal View of MT113-102/103





	INPUT1				INPUT2				INPUT3				LINE OUTPUT	
	LINE	MIC	PHANTOM POWER		LINE	MIC	PHANTOM POWER		LINE	MIC	PHANTOM POWER		FIX	ADJ
			ON	OFF			ON	OFF			ON	OFF		
			-	+	-	+	-	+	-	+	-	+		
SW1	OFF	ON												
SW2					OFF	ON								
SW3									OFF	ON				
SW4			ON	OFF										
SW5			ON	OFF										
SW6							ON	OFF						
SW7							ON	OFF						
SW8									ON	OFF				
SW9									ON	OFF				
SW10												OFF	ON	

## INSTALLING YOUR MT113-102/103 6

- Step 1.** Slide the **MT113-102/103** into an available slot in the Multi-Tasker™ Basic Enclosure in order to connect to the bus. Make sure that the **MT113-102/103** card fits into place. Secure the card to the Multi-Tasker™ by tightening the retainer screws located on the top and bottom of the **MT113-102/103** card.
- Step 2.** The LED on the card panel will turn red indicating that the card is in full operation.
- Step 3.** Connect audio cables from the audio source to the input connector of the **MT113-102/103**. Connect the output connectors of the **MT113-102/103** to the audio equipment through an audio cable.
- Step 4.** Starting from the left, identify the slot number where the **MT113-102/103** card is plugged into the Enclosure and note that it is for RS-232 control.

## OPERATION 7

### 7.1 RS-232 CONTROL

When used in the Multi-Tasker™ Enclosure, the **MT113-102/103** has many advanced remote control capabilities, which are accessible through standard RS-232 communication. The actual controlling can be accomplished through a computer control system or any other device capable of sending RS-232 commands.

#### 7.1.1 RS-232 INTERFACE

The RS-232 commands for the **MT113-102/103** are in a simple ASCII character format.

- 1. Square brackets “[ ]” are part of the command.**
- 2. Use uppercase letters for all commands.**
- 3. Commands may be executed with or without a space.**

After processing a command, an OK or ER will be returned as feedback if "F" is included at the end of a command string or if the unit ID is zero.



## 7.2 DESCRIPTION OF COMMANDS

Each command consists of three parts: function, card ID, and unit ID. [Function, Card ID, Unit ID]

### Example:

[VERC3U2]  
VER = Function  
C3 = Card ID  
U2 = Unit ID

For detailed information regarding function, see each command description.

Card ID is an assigned value from 1 to 19, which represents the number of slots. Card ID 0 (C0) is used for the controller (see user's guide for the MT100-100). Changing the position of a card will significantly affect the commands recorded on software definitions or a third party control system.

Unit ID has a value from 0 to 9. Unit ID 0 should be used for single unit operation. If the Unit ID is set to 0, then each command can be used without Ui (use command [SETU0]; see user's guide for the MT100-100).

### Example:

[VERC3]: for unit ID zero  
[VERC3Ui]: for unit ID other than zero  
[VERC3]: equivalent to [VERC3U0]

### 1. [VERCnUi]

This command receives the software version and card type for the **MT113-102/103** card.  
Cn = card ID number (n = # from 1 to 19)  
Ui = Unit ID (i = # from 0 to 9) (refer to the MT100-100 user's guide for explanation)

### Example:

If one **MT113-102** card is in slot #2.  
To send command [VERC2], the Multi-Tasker™ Enclosure will return:  
[MT113-102 VER: 690-0133-007 C02]

### 2. [CnUi]

This command receives the status of the card.  
Command Format: [CnUi]  
Cn = card id (n = 1 to 19)

Ui = unit id (i = from 0 to 9) (refer to the MT100-100 user's guide for explanation)

### Example:

If one **MT109-102** card is in slot #2 of unit 3 with input 1 ON:

To send command [C2U3], the Multi-Tasker™ Enclosure will return feedback information about card status, which will display all current settings:

VOLIN1:16  
VOLIN2:16  
VOLIN3:32  
VOLOUT:12  
BASS:8  
TREBLE:14  
LOUDNESS:ON

If there is no card in slot #2 of unit 3, sending the [C2U3] command will not return any feedback.

### 3. [CnS]

This command is to save card status such as ON/OFF, IN/OUT, and volume control where applicable.

### 4. [SELMCnUi]

This command sets path to adjust the individual volume level for single card. Command Format: [SELMCnUi] [-] [-] [-] [-] or [+] [+] [+] [+]  
m = Input number (m = 1 to 3)  
n = Card ID number (n = slot # from 1 to 19)  
i = Unit ID number (i = 0 to 9)  
+ = increases volume. (maximum of 15 levels for audio).  
- = decreases volume. (maximum of 15 levels for audio).

### Example:

If the status of audio card 5 of unit zero is as follows:

VOLIN1:16  
VOLIN2:16  
VOLIN3:32  
VOLOUT:12  
BASS:8  
TREBLE:14  
LOUDNESS:ON

Send commands [SEL2C5] [+] [+] [+] [+] [+].  
After executing that command, send [C5] to get  
the new status of card 5:

VOLIN1:16  
VOLIN2:21  
VOLIN3:32  
VOLOUT:12  
BASS:8  
TREBLE:14  
LOUDNESS:ON

## [SELMGkUi]

This command sets path to adjust the individual  
volume level for a group of cards. Command  
Format: [SELMGkUi] [-] [-] [-] [-] or [+] [+] [+] [+]  
[+]

m = Input number (m = 1 to 3)

k = group number (k = # from 1-9)

i = Unit ID number (i = 0 to 9)

+ = increases volume. (maximum of 15 levels  
for audio).

- = decreases volume. (maximum of 15 levels  
for audio).

## Example:

If card 1, 2, and 3 are grouped as group 5 of  
unit 1, send the [SEL1G5U1] [-] [-] [-]  
command to decrease the volume for card 1, 2,  
and 3 simultaneously.

## 5. [SLOCnUi]

This command sets path to adjust the output  
volume level for single card. Command Format:  
[SLOCnUi] [-] [-] [-] [-] or [+] [+] [+] [+]

n = Card ID number (n = slot # from 1 to 19)

i = Unit ID number (i = 0 to 9)

+ = increases volume. (maximum of 15 levels  
for audio).

- = decreases volume. (maximum of 15 levels  
for audio).

## Example:

If the status of audio card 5 of unit zero is as  
follows:

VOLIN1:16  
VOLIN2:21  
VOLIN3:32  
VOLOUT:12  
BASS:8

TREBLE:14  
LOUDNESS:ON

Send commands [SLOC5] [+] [+] [+] [+] [+].  
After executing that command, send [C5] to get  
the new status of card 5:

VOLIN1:16  
VOLIN2:21  
VOLIN3:32  
VOLOUT:17  
BASS:8  
TREBLE:14  
LOUDNESS:ON

## 6. [VOLmAyCnUi]

This command sets absolute individual volume  
level for single card. Command Format:

[VOLmAyCnUi]

m = Input number (m = 1 to 3)

y = Absolute audio level (y = 1 to 32)

n = Card ID number (n = slot # from 1 to 19)

i = Unit ID number (i = 0 to 9)

## Example:

If the status of audio card 2 of unit zero is as  
follows:

VOLIN1:16  
VOLIN2:21  
VOLIN3:32  
VOLOUT:17  
BASS:8  
TREBLE:14  
LOUDNESS:ON

Send commands [VOL1A2CnUi],  
[VOL2A12CnUi], [VOL3A18CnUi]. After  
executing the above commands, send [C2] to  
get the new status of card 2:

VOLIN1:2  
VOLIN2:12  
VOLIN3:18  
VOLOUT:17  
BASS:8  
TREBLE:14  
LOUDNESS:ON

## [VOLmAyGkUi]

This command sets absolute individual volume  
level for a group of cards. Command Format:

[VOLmAyGkUi]

m = Input number (m = 1 to 3)

y = Absolute audio level (y = 1 to 15)  
k = group number (k = # from 1-9)  
i = Unit ID number (i = 0 to 9)

## Example:

If card 1, 2, and 3 are grouped as group 5 of unit 1, send the [VOL2A32G5U1] command to set maximum volume for card 1, 2, and 3 simultaneously.

## 7. [VOLOAyCnUi]

This command sets absolute individual volume level for single card. Command Format: [VOLOAyCnUi]  
y = Absolute audio level (y = 1 to 32)  
n = Card ID number (n = slot # from 1 to 19)  
i = Unit ID number (i = 0 to 9)

## Example:

If the status of audio card 2 of unit zero is as follows:  
VOLIN1:16  
VOLIN2:21  
VOLIN3:32  
VOLOUT:17  
BASS:8  
TREBLE:14  
LOUDNESS:ON  
Send commands [VOLOA8CnUi]. After executing this command, send [C2] to get the new status of card 2:  
VOLIN1:2  
VOLIN2:12  
VOLIN3:18  
VOLOUT:8  
BASS:8  
TREBLE:14  
LOUDNESS:ON

## [VOLOmAYGkUi]

This command sets absolute individual volume level for a group of cards. Command Format: [VOLOAyGkUi]  
y = Absolute audio level (y = 1 to 15)  
k = group number (k = # from 1-9)  
i = Unit ID number (i = 0 to 9)

## Example:

If card 1, 2, and 3 are grouped as group 5 of unit 1, send the [VOLOA32G5U1] command to set maximum volume for card 1, 2, and 3 simultaneously.

## 8. [SELBCnUi]

This command sets path to adjust the bass level for single card. Command Format: [SELBCnUi] [-] [-] [-] [-] or [+] [+] [+] [+]  
n = Card ID number (n = slot # from 1 to 19)  
i = Unit ID number (i = 0 to 9)  
+ = increases volume. (maximum of 15 levels for bass).  
- = decreases volume. (maximum of 15 levels for bass).

## Example:

If the status of audio card 5 of unit zero is as follows:  
VOLIN1:2  
VOLIN2:12  
VOLIN3:18  
VOLOUT:8  
BASS:8  
TREBLE:14  
LOUDNESS:ON  
Send commands [SELBC5] [+] [+] [+] [+] [+]. After executing that command, send [C5] to get the new status of card 5:  
VOLIN1:2  
VOLIN2:12  
VOLIN3:18  
VOLOUT:8  
BASS:13  
TREBLE:14  
LOUDNESS:ON

## [SELBGkUi]

This command sets path to adjust the bass level for a group of cards. Command Format: [SELBGkUi] [-] [-] [-] [-] or [+] [+] [+] [+]  
k = group number (k = # from 1-9)  
i = Unit ID number (i = 0 to 9)  
+ = increases volume. (maximum of 15 levels for bass).  
- = decreases volume. (maximum of 15 levels for bass).

## Example:

If card 1, 2, and 3 are grouped as group 5 of unit 1, send the [SELB1G5U1] [-] [-] [-] command to decrease the volume for card 1, 2, and 3 simultaneously.

## 9. [VBLyCnUi]

This command sets absolute bass level for single card. Command Format: [VBLyCnUi]  
 y = Absolute bass level (y = 1 to 15)  
 n = Card ID number (n = slot # from 1 to 19)  
 i = Unit ID number (i = 0 to 9)

### Example:

If the status of audio card 2 of unit zero is as follows:

VOLIN1:2  
 VOLIN2:12  
 VOLIN3:18  
 VOLOUT:8  
 BASS:8  
 TREBLE:14  
 LOUDNESS:ON

After sending a command [VBL2CnUi] on request [C2] we will the new status of card 2:

VOLIN1:2  
 VOLIN2:12  
 VOLIN3:18  
 VOLOUT:8  
 BASS:2  
 TREBLE:14  
 LOUDNESS:ON

## [VBLyGkUi]

This command sets absolute bass level for a group of cards. Command Format: [VBLyGkUi]  
 y = Absolute bass level (y = 1 to 15)  
 k = group number (k = # from 1-9)  
 i = Unit ID number (i = 0 to 9)

### Example:

If card 1, 2, and 3 are grouped as group 5 of unit 1, send the [VBLFG5U1] command to set maximum volume of bass for card 1, 2, and 3 simultaneously.

## 10. [SELTCnUi]

This command sets path to adjust the treble level for single card. Command Format: [SELTCnUi] [-] [-] [-] [-] or [+] [+] [+] [+]

n = Card ID number (n = slot # from 1 to 19)  
 i = Unit ID number (i = 0 to 9)  
 + = increases volume. (maximum of 15 levels for treble).  
 - = decreases volume. (maximum of 15 levels for treble).

### Example:

If the status of audio card 5 of unit zero is as follows:

VOLIN1:2  
 VOLIN2:12  
 VOLIN3:18  
 VOLOUT:8  
 BASS:8  
 TREBLE:14  
 LOUDNESS:ON

Send commands [SELTC5] [-] [-] [-] [-]. After executing that command, send [C5] to get the new status of card 5: [On123C5]

VOLIN1:2  
 VOLIN2:12  
 VOLIN3:18  
 VOLOUT:8  
 BASS:8  
 TREBLE:10  
 LOUDNESS:ON

## [SELTGkUi]

This command sets path to adjust the bass level for a group of cards. Command Format: [SELTGkUi] [-] [-] [-] [-] or [+] [+] [+] [+]  
 k = group number (k = # from 1-9)  
 i = Unit ID number (i = 0 to 9)  
 + = increases volume. (maximum of 15 levels for treble).  
 - = decreases volume. (maximum of 15 levels for treble).

### Example:

If card 1, 2, and 3 are grouped as group 5 of unit 1, send the [SELTG5U1] [-] [-] [-] command to decrease the treble volume for card 1, 2, and 3 simultaneously.

## 11. [VTLyCnUi]

This command sets absolute treble level for single card. Command Format: [VTLyCnUi]  
 y = Absolute treble level (y = 1 to 15)

n = Card ID number (n = slot # from 1 to 19)  
i = Unit ID number (i = 0 to 9)

## Example:

If the status of audio card 2 of unit zero is as follows:

VOLIN1:2  
VOLIN2:12  
VOLIN3:18  
VOLOUT:8  
BASS:8  
TREBLE:14  
LOUDNESS:ON

After sending a command [VTL2CnUi] on request [C2] we will the new status of card 2:

VOLIN1:2  
VOLIN2:12  
VOLIN3:18  
VOLOUT:8  
BASS:8  
TREBLE:2  
LOUDNESS:ON

## [VTLYGkUi]

This command sets absolute treble level for a group of cards. Command Format: [VTLYGkUi]  
Y = Absolute treble level (Y = 0 to F in hex format)

k = group number (k = # from 1-9)  
i = Unit ID number (i = 0 to 9)

## Example:

If card 1, 2, and 3 are grouped as group 5 of unit 1, send the [VTLFG5U1] command to set maximum volume of treble for card 1, 2, and 3 simultaneously.

## 12. [LOD0CnUi]

This command turns OFF loudness feature for single card.

n = Card ID number (n = slot # from 1 to 19)  
i = Unit ID number (i = 0 to 9)

## [LOD1CnUi]

This command turns ON loudness feature for group of cards simultaneously.

n = Card ID number (n = slot # from 1 to 19)  
i = Unit ID number (i = 0 to 9)

## [LOD1GkUi]

This command turns ON loudness feature for single card.

k = group number (k = # from 1-9)  
i = Unit ID number (i = 0 to 9)

## [LOD0GkUi]

This command turns OFF loudness feature for group of cards simultaneously.

k = group number (k = # from 1-9)  
i = Unit ID number (i = 0 to 9)

## 13. [MUT0CnUi]

This command turns ON speaker output.

n = Card ID number (n = slot # from 1 to 19)  
i = Unit ID number (i = 0 to 9)

## 14. [MUT1CnUi]

This command turns OFF speaker output.

n = Card ID number (n = slot # from 1 to 19)  
i = Unit ID number (i = 0 to 9)

## 15. [WR....GkUi]

This command groups multiple cards in the MT100-100 Enclosure. Each unit contains a maximum of nine groups. Command Format: [WRCn...GkUi]

n = card ID No. (n = slot # from 1 to 19)  
k = group number (k = # from 1-9)  
i = unit number (i = # from 0-9)

## Example:

To group card #1, 2, and 3 as group 5 of unit #1, send the [WRC1C2C3G5U1] command. After executing this command, cards 1, 2, and 3 of unit 1 will be grouped together as group 5.

## 16. [CLR]

This command clears the members for a single group or for all nine groups. Command Format: [CLRGkUi]

k = group number (k = # from 1-9)  
i = unit number (i = # from 0-9)

## Example:

To clear group #1, send the [CLRG1U1] command. This command clears the members for the specified group only.



To clear all groups of unit 1, send the [CLR GU1] command.

## 17. [GkUi]

This command is used to request group data. With the command, the user can identify which input or output of a particular group is on.

Command Format: [GkUi]

k = group number (k = # from 1-9)

i = unit number (i = # from 0-9)

### Example:

If group 1 has DA Cards with output 1 and 2 on, while group 2 has SW Cards with input 2 on:

1) [G1]: will return feedback as [On12G1].

2) [G2]: will return feedback as [On2G2].

## 18. [RDXX]

This command reads card memory at address **XX**. Command Format: [RDXXCnUi]  
XX = data address (XX = # from 60-FF in hex format)

n = card ID No. (n = slot # from 1 to 19)

i = unit number (i = # from 0-9)

### Example:

To read memory at address 0x0A card 2 of unit 1, send the [RD0AC2U1] command. The system will return feedback as RD0A1DC2, if data at address 0x0A is 0x1D.

## 19. [WRXXYY]

This command writes data YY into card memory at address **XX**. Command Format: [RDXXYYCnUi]

XX = data address (XX = # from 60-FF in hex format)

YY = data (YY = # from 00-FF in hex format)

n = card ID No. (n = slot # from 1 to 19)

i = unit number (i = # from 0-9)

### Example:

To write data 0x2B into memory at address 0x10 card 5 of unit 1, send the [RD102BC5U1] command. The system will return feedback as OK.

## 20. [WRCn...GkUi]

This command groups multiple cards in the MT100-100 Enclosure. Each unit contains a maximum of nine groups.

n = card ID No. (n = slot # from 1 to 19)

k = group number (k = # from 1-9)

i = unit number (i = # from 0-9)

### Example:

To group card #1, 2, and 3 as group 5 of unit #1, send the [WRC1C2C3G5U1] command. After executing this command, cards 1, 2, and 3 of unit 1 will be grouped together as group 5.

## 21. [CLRGkUi]

This command clears the members for a single group or for all nine groups. MT113-102 Application Diagram

Command Format: [CLRGkUi]

k = group number (k = # from 1-9)

i = unit number (i = # from 0-9)

### Example:

To clear group #1, send the [CLRG1U1] command. This command clears the members for the specified group only.

To clear all groups of unit 1, send the [CLRG1U1] command.

## 22. [HELPCn]

This command displays all RS-232 commands available for user control

## 23. [...S]

S at the end of command string will save settings immediately.

## 24. [...F]

F at the end of the command will return feedback OK or ERROR.

## TROUBLESHOOTING GUIDE 8

We have carefully tested and have found no problems in the supplied **MT113-102/103**; however, we would like to offer suggestions for the following:

### 8.1 LED IS NOT ON

**Cause 1:** Card cage is not plugged in.

**Solution:** Plug card cage in. If the LED lights, the problem is solved. If the LED is still not lit, see Cause 2.

**Cause 2:** Card is not plugged in all the way.

**Solution:** Push the card in all the way. If the LED is still not lit, see Cause 3.

**Cause 3:** Card cage slot has a problem.

**Solution 1:** Test the card in other slots of the card cage. If the slot was damaged, the card may work in other slots. If other slots work and the LED lights, the problem is the card cage slot. The card cage may require service. Call ALTINEX at (714) 990-2300. If the other slots do not work and the LED is still not lit, see Solution 2.

**Solution 2:** Take any other known good card with an LED and verify that the slot used is good by seeing if the other card's LED lights in that slot. If it lights, then the original card may be the source of the problem. Call ALTINEX at (714) 990-2300.

### 8.2 NO SOUND

**Cause 1:** The source has a problem.

**Solution:** Check the source and make sure that it is working at an appropriate volume level and all source connections are correct. If the source is working and there is still no sound, see Cause 2.

**Cause 2:** The proper card input may not be selected.

**Solution:** Select the card input that is used, by RS-232 accessible commands in

section 7. If no sound is present, see Cause 3.

**Cause 3:** Cable connections to the destination are incorrect.

**Solution:** Make sure that cables are connected properly. Also, make sure that the continuity and wiring are good. If there is still no sound present, see Cause 4.

**Cause 4:** The destination amplifier has a problem.

**Solution 1:** Make sure that the destination amplifier is powered. If there is still no sound, see Solution 2

**Solution 2:** Set the volume of the destination amplifier to a reasonable level. If there is still no sound, call ALTINEX at (714) 990-2300.

### 8.3 SOUND DISTORTION

**Cause 1:** The source level is above 1Vp-p.

**Solution 1:** Make sure that the source level is below 1V p-p. If the sound is still distorted, see Solution 2.

**Solution 2:** Call ALTINEX at (714) 990-2300.

### 8.4 SOUND LEVEL IS LOW

**Cause 1:** The volume levels are inappropriate.

**Solution 1:** Turn up the source volume. If sound level is still low, see Solution 2.

**Solution 2:** Turn up the destination amplifier volume. If the sound level is still low, see Cause 2.

**Cause 2:** Poor signal transmission.

**Solution:** Check the cables for continuity and make sure that connections are wired properly to verify that there is good signal transmission. Note: Test the system by removing the card from between the source and the destination amplifier. If problem persists, call ALTINEX at (714) 990-2300.



## 9.0 LIMITED WARRANTY / RETURN POLICY

Please see the Altinex website at [www.altinex.com](http://www.altinex.com) for details on warranty and return policy.

## 9.1 CONTACT INFORMATION

### **ALTINEX, INC.**

592 Apollo Street  
Brea, CA 92821 USA

**TEL:** 714-990-2300

**TOLL FREE:** 1-800-ALTINEX

**WEB:** [www.altinex.com](http://www.altinex.com)

**E-MAIL:** [solutions@altinex.com](mailto:solutions@altinex.com)

**FAX:** 714-990-3303