



MANUAL PART NUMBER: 400-0113-002

ISV3000

1-IN, 1-OUT INTERA COMPOSITE VIDEO / S-VIDEO + AUDIO INPUT MODULE USER'S GUIDE

TABLE OF CONTENTS

	Page
PRECAUTIONS / SAFETY WARNINGS	2
GENERAL	2
INSTALLATION	2
CLEANING	2
FCC / CE NOTICE	2
ABOUT YOUR INPUT MODULE	2
TECHNICAL SPECIFICATION	3
PRODUCT DESCRIPTION	4
VIDEO INPUT	5
VIDEO OUTPUT	5
AUDIO INPUT & OUTPUT	5
POWER INPUT CONNECTOR	5
POWER/SIGNAL PRESENT INDICATOR	5
OPERATION	5
ACCESSORIES	5
FREQUENTLY ASKED QUESTIONS	6
TROUBLESHOOTING GUIDE	6
ALTINEX POLICY	6
LIMITED WARRANTY	6
RETURN POLICY	6
CONTACT INFORMATION	6

PRECAUTIONS / SAFETY WARNINGS 1

Please read this manual carefully before using your **ISV3000**. Keep this manual handy for future reference. These safety instructions are to ensure the long life of your **ISV3000** and to prevent fire and shock hazard. Please read them carefully and heed all warnings.

1.1 GENERAL

- Unauthorized personnel shall not open the unit since there are high-voltage components inside.
- Qualified ALTINEX service personnel, or their authorized representatives must perform all service.

1.2 INSTALLATION

- For best results, place the on a flat, level surface in a dry area away from dust and moisture.
- To prevent fire or shock, do not expose this unit to rain or moisture. Do not place the **ISV3000** in direct sunlight, near heaters or heat radiating appliances, or near any liquid. Exposure to direct sunlight, smoke, or steam can harm internal components.
- Handle the **ISV3000** carefully. Dropping or jarring can damage internal components. Do not place heavy objects on top of the **ISV3000**.
- Never install the **ISV3000** in the same enclosure with high voltage wires or their associated components, such as power sockets, dimmers or switches. Always use proper isolation techniques to ensure that the **ISV3000** is never installed in an enclosure that has high voltages within it.

1.3 CLEANING

- Clean surfaces with a dry cloth. Never use strong detergents or solvents, such as alcohol or thinner. Do not use a wet cloth or water to clean the unit.

1.4 FCC / CE NOTICE

- This device complies with part 15 of the FCC Rules. Operation is subject to the following two conditions: (1) This device may not cause harmful interference, and (2) this device must accept any interference received, including interference that may cause undesired operation.
- This equipment has been tested and found to comply with the limits for a Class A digital device, pursuant to Part 15 of the FCC Rules. These limits are designed to provide reasonable protection against harmful interference when the equipment is operated in a commercial environment. This equipment generates, uses, and can radiate radio frequency energy and, if not installed and used in accordance with the instruction manual, may cause harmful interference to radio communications. Operation of this equipment in a residential area is likely to cause harmful interference in which case the user will be required to correct the interference at his own expense.
- Any changes or modifications to the unit not expressly approved by ALTINEX, Inc. could void the user's authority to operate the equipment.

ABOUT YOUR INPUT MODULE 2

The **ISV3000** is a 1-in 1-out composite video input module with stereo audio input designed for installation into a wall. The **ISV3000** provides stereo audio transmission to a main sound system and the connection of a composite video source to a distant display (monitor or projector) with minimal loss of quality.

The front panel of the **ISV3000** offers one composite video loop insulated input and two computer audio inputs. All signals are passed through to three RCA female connectors. The **ISV3000** Input Module also has an LED on the front panel, which is a signal present or power indicator. The front panel is available in ivory or white. Model number **ISV3000-I** is for ivory and **ISV3000-W** is for white.

INPUT MODULE

The back panel offers a buffered video output through a 2-pin terminal block and balanced stereo output through a 5-pin terminal block connector. The **ISV3000** Input Module has a 2-pin terminal block for connection to a 9V 500mA power external adapter also on its back panel.

The **ISV3000** is designed to equalize the effects of 75 to 100 feet of coaxial cable completely.

TECHNICAL SPECIFICATIONS 3

FEATURES/DESCRIPTION	ISV3000
GENERAL	
Inputs	
Input Connector	RCA Female/S-VIDEO
Audio Input Connectors	2 RCA Female
Outputs	
Video Output Connector	2-pin terminal block
Audio Output Connector	5-pin terminal block
Power	
9VDC 500mA supply	2-pin terminal block
Compatibility	C-Video
	NTSC, PAL, SECAM TYPE

Table 1. **ISV3000** General

MECHANICAL	ISV3000
Depth (inches)	4.1 in. (105mm)
Width (inches)	1.5 in (39mm)
Height (inches)	2.1 in. (54mm)
Weight (pounds)	1 lb. (.45kg)
Ship Weight (pounds)	1.6 lb. (.73kg)
Material	Steel
Finish	Black Zinc
Front Panel	White or Ivory
T° Operating	10°C -35°C
T° Maximum	50°C
Humidity	90% non-condensing
MTBF (calculations)	40,000 hrs.

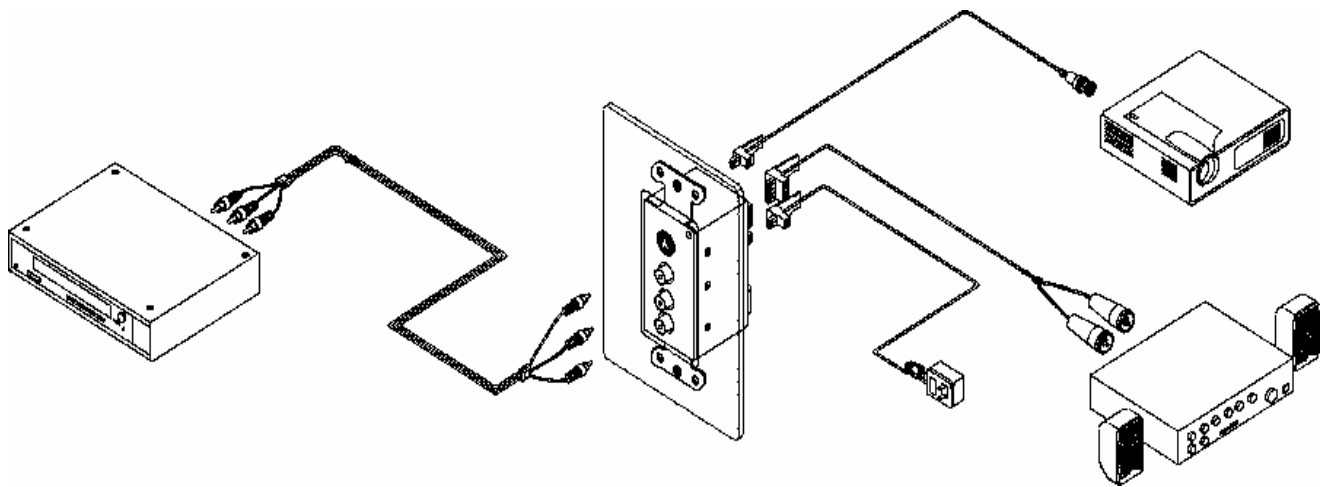
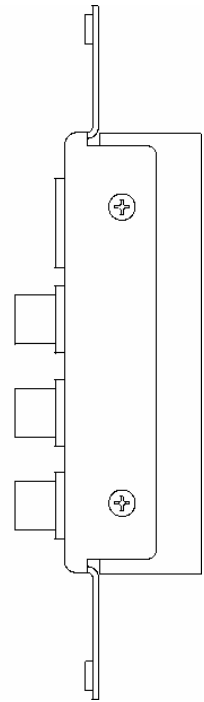
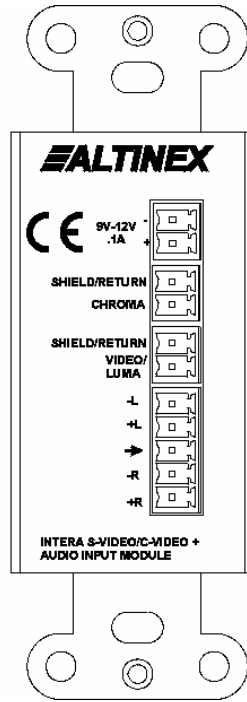
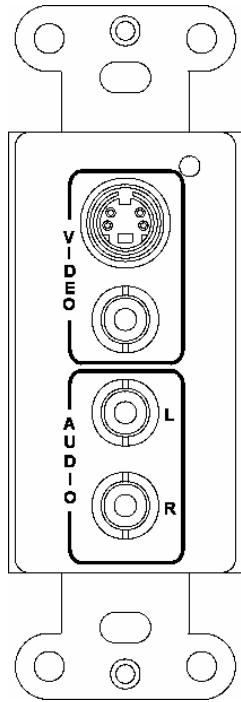
Table 2. **ISV3000** Mechanical

ELECTRICAL	ISV3000
Input Video Signal	
Level	1.5V max.
Impedance	75• ± 1%
Output Video Signals	
Level	1.5V p-p max.
Impedance	75 Ohms
Frequency Compatibility	
Minimum Video Bandwidth	-3dB @ 100 MHz
Audio Input	
Impedance	10k •
Max Level	0dBu
Audio Throughput	
Gain	+6dB balanced, 0dB unbalanced
Frequency Response	10Hz to 20kHz (+/- 0.05 dB)
Noise Floor	-98dB @ 20kHz
CMRR	<40dB, 10Hz to 20kHz
Audio Output	
Impedance	300• unbalanced, 600• balanced
Drive	>10dBu
Power	
External Power	9VDC 500mA supply

Table 3. **ISV3000** Electrical

PRODUCT DESCRIPTION

4



4

PRODUCT DESCRIPTION (CON'T)

4.1 VIDEO INPUT & OUTPUT

The **ISV3000** accepts composite video loop insulated input through a yellow RCA female connector and offers a buffered video output through a 2-pin terminal block on the back of the **ISV3000**. The **ISV3000** allows a connection to different types of projectors or monitors using ALTINEX cables.

PIN No.	OUTPUT SIGNAL ON 2-PIN MALE TERMINAL BLOCK
1	Composite Video
2	GND

Table 4. 2-pin Male terminal block for video output

4.2 AUDIO INPUT & OUTPUT

The **ISV3000** accepts audio input and offers balanced stereo output through a terminal block connector on the back panel. There are two red and black RCA female connectors for audio input, which may be returned to an amplifier. A 5-pin terminal block is available for stereo audio transmission to the main sound system.

PIN No.	OUTPUT SIGNAL ON 5-PIN MALE TERMINAL BLOCK
1	L+IN (Left Channel)
2	L-IN (Left Channel)
3	SIGNAL RETURN
4	R+IN (RIGHT Channel)
5	R-IN (RIGHT Channel)

Table 5. 5-pin Male terminal block for audio output

4.3 POWER INPUT CONNECTOR

The **ISV3000** Input Module has a 2-pin terminal block for connection to a 9V 500mA power external adapter. A selection of several power adapters is available for different countries from 110 VAC to 240 VAC.

4.4 POWER/SIGNAL PRESENT INDICATOR

The **ISV3000** Input Module has an LED on the front panel, which provides feedback to the user.

When power is connected to the **ISV3000**, the LED will turn red. When a video source is connected to the **ISV3000**, the LED will turn green, indicating that the unit is receiving a signal.

OPERATION

5

The **ISV3000** will operate successfully as long as all cables are attached properly and other technical specifications are maintained.

ACCESSORIES

6

Model No.	Description
WALL PLATES FOR INTERA SYSTEM	
IS10001-W/I	1-Gang Wall Plate
IS10002-W/I	2-Gang Wall Plate
IS10003-W/I	3-Gang Wall Plate
IS10004-W/I	4-Gang Wall Plate
WALL PLATE INSERTS	
IS10201-W/I	Insert with 2 empty snap-in ports
IS10202-W/I	Insert with 4 empty snap-in ports
IS10203-W/I	Insert with 6 empty snap-in ports
SNAP-IN CONNECTORS	
SN1310-W/I	Package of 10 Blanks
SN1303-RJ45-W/I	CAT-5 (RJ-45)
SN1304-RJ11-W/I	Telephone/ Modem (RJ-11)
SN1310-F-W/I	F-Type, Female to Female
SN1301-BNC-W/I	BNC, Female to Female
SN1308-4MD-W/I	4-pin Mini-DIN, S-Video
SN1308-6MD-W/I	6-pin Mini-DIN, Control
SN1308-8MD-W/I	8-pin Mini-DIN, S-Video
SN1302-RCAY-W/I	RCA w/ yellow stripe
SN1302-RCAR-W/I	RCA w/ red stripe
SN1302-RCAB-W/I	RCA w/ black stripe
SN1305-MA-W/I	Stereo Mini Audio Jack
SN1306-MC-W/I	Momentary Contact Closure Switch
SN1306-LC-W/I	Latching Contact Closure Switch
SN1311-GR-W/I	Green LED Indicator

Note: The items above must be ordered in packages of 10.

Model No.	Description
MULTI-MEDIA LABELS	
MS8301LB	Input/ Output label sheets; black w/ white text
MS8302LB	Input/ Output label sheets; white w/

INPUT MODULE

	black text
MS8303LB	Input/ Output label sheets; ivory w/ black text
BACK BOXES	
WB1248WM	1-gang metal back box
WB1249WM	2-gang metal back box
WB1250WM	5-gang metal back box w/ 3-gang device cover plate
WB1251WM	6-gang metal back box w/ 4-gang device cover plate
BRACKETS	
WB1260WM	Adjustable back box bracket (11" to 18")
WB1261WM	Adjustable back box bracket (17" to 26")
MOUNTING PLATES	
WB1266WM	1-gang plastic mounting plate (retrofit)
WB1267WM	2-gang plastic mounting plate (retrofit)
VGA INPUT CABLES	
CB3703MR	3 feet, VGA Male to Male
CB3706MR	6 feet, VGA Male to Male
CB3715MR	15 feet, VGA Male to Male
VGA + AUDIO INPUT CABLES	
CB901-A3	3 feet, VGA + Stereo Mini, Male to Male
CB901-A6	6 feet, VGA + Stereo Mini, Male to Male
CB901-A12	12 feet, VGA + Stereo Mini, Male to Male
POWER SUPPLIES	
PS5503US	9V 500mA Power Adapter
PS5581SM	12V, 4.0 Amp Power Supply

We have carefully tested and have found no problems in the supplied **ISV3000** unit; however, we would like to offer the following suggestions:

Make sure that the display equipment is compatible with the source equipment.

Please make sure that input amplitude of the video analog signal is less than 1.5V.

Please use the ALTINEX provided external AC adapter, which supplies 9V DC at 500mA.

- Please make sure that the proper quality of cables with coaxial component for video and twisted pairs cable for audio channels is used. We recommend ALTINEX-made cables for best results.
- If a problem arises after continuous usage at higher voltage, higher temperature, higher humidity, or at other extreme environmental conditions, please correct the problem.

ALTINEX POLICY 9

9.1 LIMITED WARRANTY

Please review www.altinex.com for full details.

9.2 RETURN POLICY

Please review www.altinex.com for full details.

9.3 CONTACT INFORMATION

ALTINEX, Inc.

Phone: 714-990-2300

Fax: 714-990-3303

FREQUENTLY ASKED QUESTIONS 7

No:	Question	Answer
1.	How many feet of cable can I use with the ISV3000 ?	The ISV3000 is optimized for 75ft, but longer or shorter lengths may be used. Contact ALTINEX for information concerning equalization.
2.	May I use CAT cable instead of coaxial cable?	No, you can not use CAT type cable instead of coaxial cable because the quality of the received signal will be lost.

TROUBLESHOOTING GUIDE 8