



MANUAL PART NUMBER: 400-0399-001

DA1935KM

**KEYBOARD and MOUSE
TO FIBER OPTIC TRANSMITTER
USER'S GUIDE**

TABLE OF CONTENTS

	Page
PRECAUTIONS / SAFETY WARNINGS	2
GENERAL	2
INSTALLATION	2
CLEANING	2
FCC / CE NOTICE	2
ABOUT YOUR DA1935KM	3
TECHNICAL SPECIFICATIONS	3
PRODUCT DESCRIPTION	4
APPLICATION DIAGRAM	5
DIAGRAM 1: TYPICAL CONFIGURATION	5
DIAGRAM 2: INTERNAL VIEW	6
INSTALLING YOUR DA1935KM	7
OPERATION	7
DA1935KM SETTINGS	7
CHANGING THE MOUSE	7
TROUBLESHOOTING GUIDE	7
LED IS NOT RED	7
KEYBOARD/MOUSE DOES NOT WORK	8
ALTINEX POLICY	8
LIMITED WARRANTY/RETURN POLICY	8
CONTACT INFORMATION	8

PRECAUTIONS / SAFETY WARNINGS 1

Please read this manual carefully before using your **DA1935KM**. Keep this manual handy for future reference. These safety instructions are to ensure the long life of your **DA1935KM** and to prevent fire and shock hazard. Please read them carefully and heed all warnings.

1.1 GENERAL

- Qualified ALTINEX service personnel, or their authorized representatives must perform all service.

1.2 INSTALLATION

- To prevent fire or shock, do not expose this unit to rain or moisture. Do not place the **DA1935KM** in direct sunlight, near heaters or heat radiating appliances, or near any liquid. Exposure to direct sunlight, smoke, or steam can harm internal components.
- Handle the **DA1935KM** carefully. Dropping or jarring can damage the unit.
- Do not pull the cables that are attached to the **DA1935KM**.

1.3 CLEANING

- Clean only with a dry cloth. Never use strong detergents or solvents, such as alcohol or thinner. Do not use a wet cloth or water to clean the unit. Do not open the unit to clean.

1.4 FCC / CE NOTICE

- This device complies with part 15 of the FCC Rules. Operation is subject to the following two conditions: (1) This device may not cause harmful interference, and (2) this device must accept any interference received, including interference that may cause undesired operation.

- This equipment has been tested and found to comply with the limits for a Class A digital device, pursuant to Part 15 of the FCC Rules. These limits are designed to provide reasonable protection against harmful interference when the equipment is operated in a commercial environment. This equipment generates, uses, and can radiate radio frequency energy and, if not installed and used in accordance with the instruction manual, may cause harmful interference to radio communications. Operation of this equipment in a residential area is likely to cause harmful interference in which case the user will be required to correct the interference at his own expense.
- Any changes or modifications to the unit not expressly approved by ALTINEX, Inc. could void the user's authority to operate the equipment.

ABOUT YOUR DA1935KM 2

DA1935KM KEYBOARD/MOUSE TO FIBER OPTIC TRANSMITTER

The **DA1935KM** provides a means of transmitting keyboard and mouse serial data over fiber optic cable. The **DA1935KM** is designed to be used together with an ALTINEX Fiber Optic Receiver, such as DA1934KM.

The **DA1935KM** is compact and easy to use. As a direct connect, it connects directly to the keyboard and mouse and is able to transmit both keyboard and mouse data over the same fiber optic cable.

The **DA1935KM** may also be used to send mouse and keyboard data to different computers, or multiple computers by using an Altinex Multi-Tasker™ Enclosure, with a matrix system that includes the MT107-204 and MT107-304.

Internal memory allows the user to save the keyboard configuration for Number Lock, Caps Lock and Scroll Lock.

TECHNICAL SPECIFICATIONS 3

FEATURES/ DESCRIPTION	DA1935KM
GENERAL	
Inputs	2
PC Compatible Keyboard and Mouse	6 Pin Mini DIN Female
Outputs	1
Output Connectors	ST Fiber Optic Transmitter
Compatibility	
Signal types	Keyboard and Mouse Serial Data
Signal Rate	5Mbaud
Operating Systems	Windows 2000, NT and XP.*
Mouse Types	(1) 5 buttons, 1 wheel (2) 2 buttons, 1 wheel (3) 2 buttons, no wheel

Table 1. **DA1935KM** General

MECHANICAL	DA1935KM
Material	0.062" ABS 94 HB
Finish	ALTINEX Black
Height (inches)	2.40in (60.9mm)
Width (inches)	2.27in (57.7mm)
Depth (inches)	1.00in (25.4mm)
Weight (pounds)	0.14lb (0.06kg)
Ship Weight (pounds)	0.5lbs (0.23kg)
T° Operating	10°C-40°C
T° Maximum	50°C
Humidity	90% non-condensing
MTBF (calculations)	40,000 hrs

Table 2. **DA1935KM** Mechanical

ELECTRICAL	DA1935KM
Input	
Keyboard and Mouse Serial Data	TTL Levels
Maximum Rate	5MBaud (5mb/s)
Output	
Fiber Optic Receiver	
Compatible Fibers	62.5/125um
Power	
External Adapter (included)	9V DC, 500mA

Table 3. **DA1935KM** Electrical

* Windows 98 and earlier operating systems are not supported.

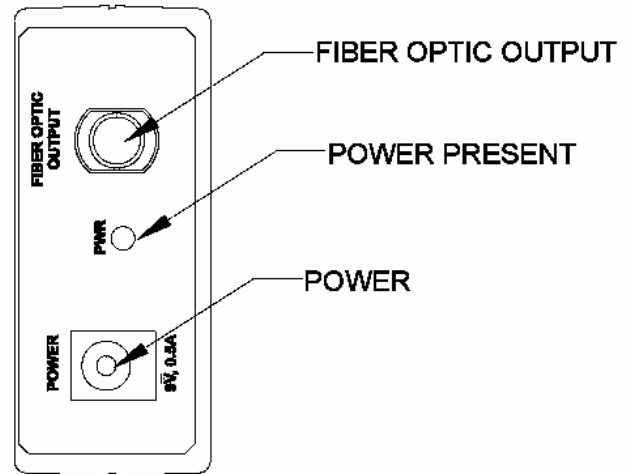
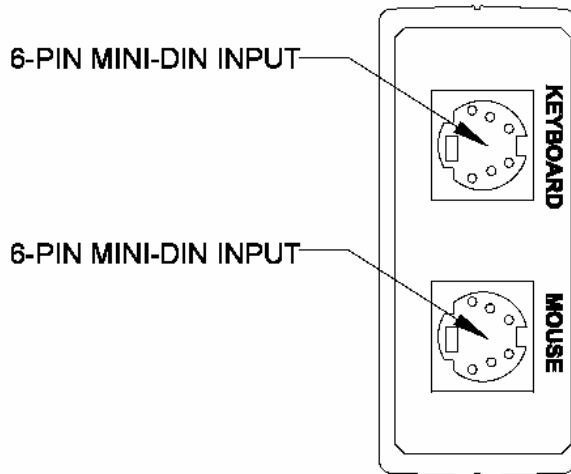
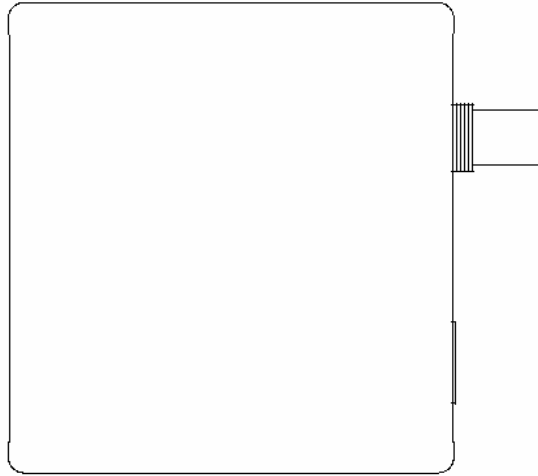
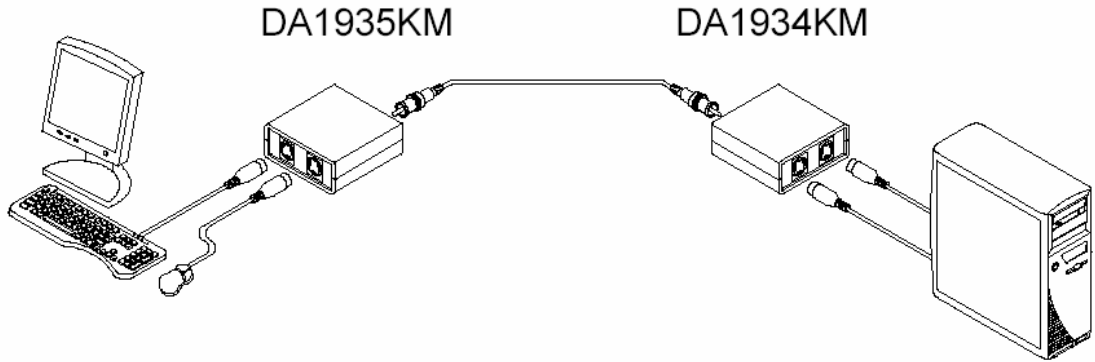
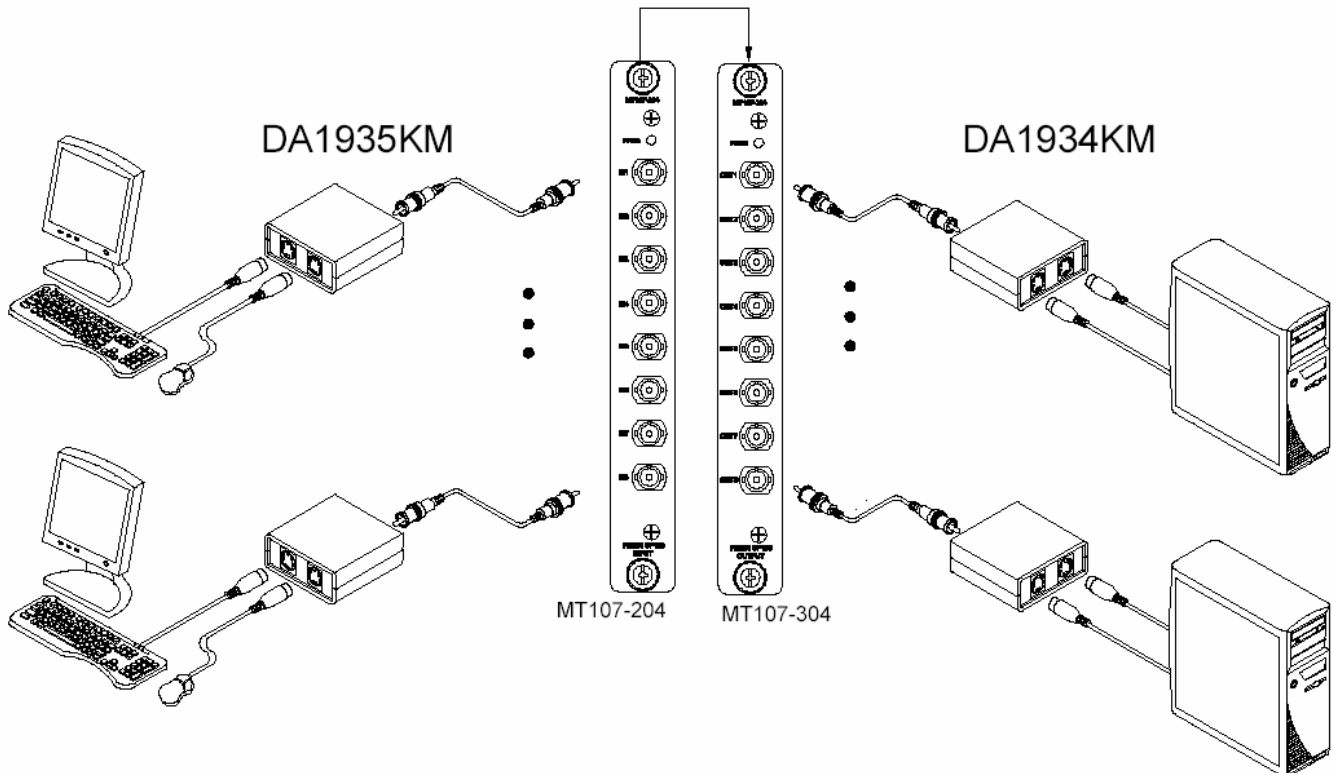


DIAGRAM 1: TYPICAL CONFIGURATION

DIRECT CONNECT



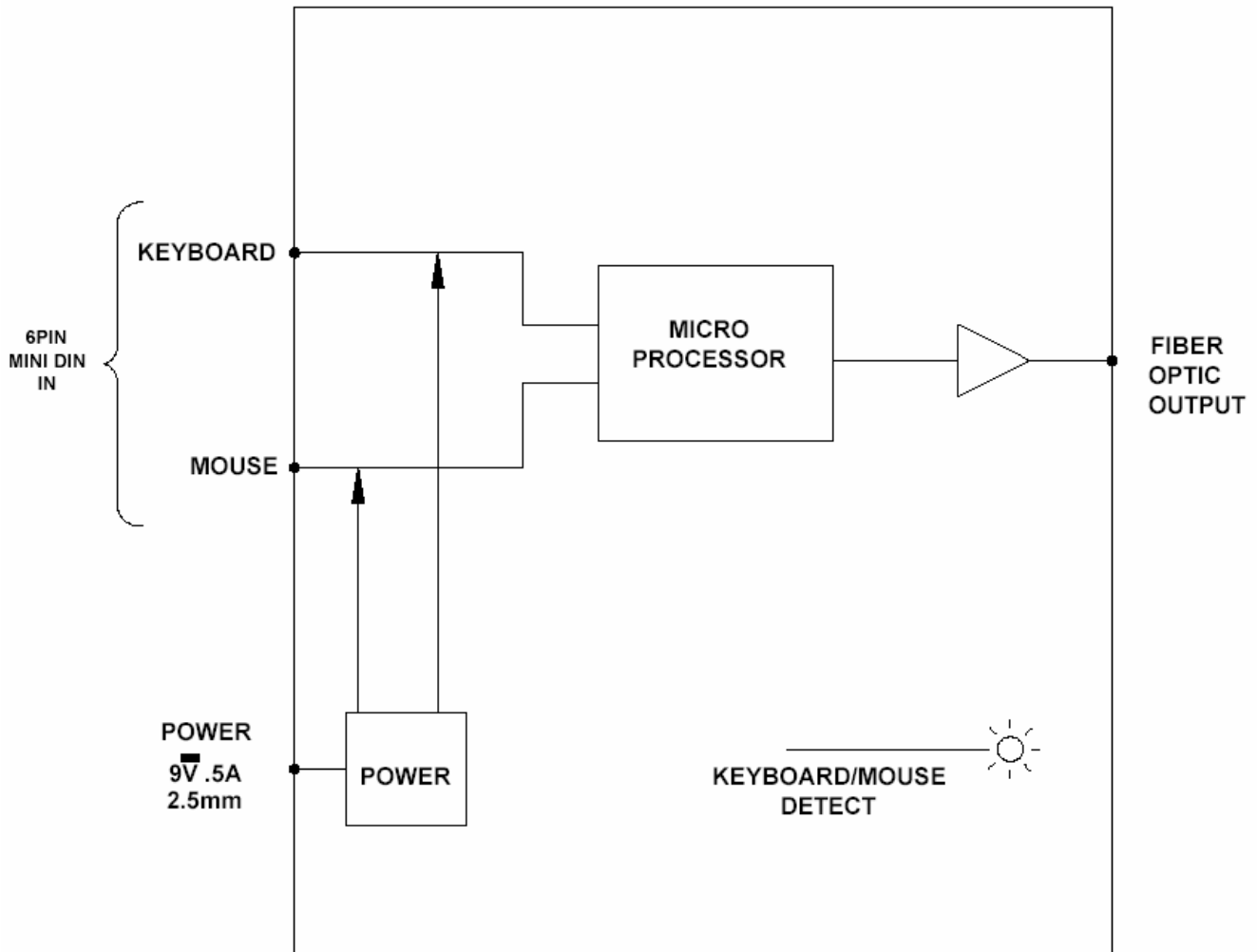
MULTI-TASKER MATRIX SWITCH



SPECIAL APPLICATION

DIAGRAM 2: INTERNAL VIEW

DA1935KM KEYBOARD/MOUSE TRANSMITTER TO FIBER OPTIC CABLE



INSTALLING YOUR DA1935KM 6

- Step 1.** Prior to installing the **DA1935KM**, make sure the keyboard and mouse are working normally with the computer.
- Step 2.** Turn OFF the receiving computer.
- Step 3.** On the transmitting end, connect the keyboard to the port labeled **KEYBOARD** and the mouse to the port labeled **MOUSE** on the side of the unit.
- Step 4.** Connect the **DA1935KM** to the **DA1934KM** using a fiber optic cable. The **DA1934KM** should be connected to the receiving computer per its user manual.
- Step 5.** Plug the 9V power adapter into an AC outlet and then connect the other end to the **POWER** input jack on the **DA1935KM**.
- Step 6.** Verify the **DA1935KM** initializes by observing the keyboard LED's flash on, then off and then go to their default state of Num Lock ON, Caps Lock OFF and Scroll Lock OFF. Additionally, Verify the **PWR** LED next to the power jack is illuminated **RED**.
- Step 7.** Turn ON the receiving computer and wait for system to boot.
- Step 8.** Verify the mouse and keyboard operate on the remote computer.

OPERATION 7

The **DA1935KM** will operate successfully as long as cables are attached properly and other technical specifications are followed.

7.1 DA1935KM SETTINGS

The **DA1935KM** allows the settings for Num Lock, Caps Lock and Scroll Lock to be saved in its internal memory. These settings will be recalled whenever the unit is restarted. In order to save these settings, press the left **SHIFT** key, then the right **SHIFT** key and then a number from 1 to 6 as follows:

Key	Setting Saved
1	Num Lock ON
2	Caps Lock ON
3	Scroll Lock ON
4	Num Lock OFF
5	Caps Lock OFF
6	Scroll Lock OFF

NOTE: Do NOT hold down the shift keys during this process.

7.2 CHANGING THE MOUSE

In order to change the mouse, make sure everything is on and working correctly.

Turn off the **DA1935KM** and then replace the mouse.

Turn the **DA1935KM** back on and wait for the initialization process.

Restart the computer.

After restarting the computer, the new mouse will be recognized and working.

TROUBLESHOOTING GUIDE 8

We have carefully tested and have found no problems in the supplied **DA1935KM**. However, we would like to offer suggestions for the following:

8.1 LED IS NOT RED

The LED should be ON and RED when power is applied.

Cause 1: No AC power.

Solution: Verify the adapter is plugged into a working AC outlet and that the outlet has power.

Cause 2: Adapter is not plugged into DA1935KM.

Solution: Verify the DC power plug coming from the AC adapter is plugged all the way into the **DA1935KM**.

Cause 3: The DA1935KM has a problem.

Solution: If there is AC power to the adapter and the LED still does not turn on, the **DA1935KM** or the power adapter may require service. Call ALTINEX at (714) 990-2300.

Cause 4: A device is bad.

Solution: If only one of the devices is malfunctioning, connect the inoperative device directly to the computer. If the device is good, see Cause 5.

Cause 5: Fiber optic cable is damaged.

Solution: Move the **DA1934KM** and the **DA1935KM** close together and connect the two units using a short piece of known good fiber optic cable. If the devices function properly, the cable needs to be replaced. If the device is still not functioning, call ALTINEX at (714) 990-2300.

8.2 KEYBOARD/MOUSE DOES NOT WORK

Cause 1: The DA1934KM Receiver has no power.

Solution 1: The DA1934KM receives its power from the PC. Make sure the DA1934KM is connected to the computer keyboard and mouse ports. If there is still no power, see Solution 2.

Solution 2: Verify the computer is turned on and working. If there is still no power, call ALTINEX at (714) 990-2300.

Cause 2: The cables are swapped.

Solution: If both devices are inoperative, check the attachments to the **DA1934KM** and the **DA1935KM**. Make sure the mouse is plugged into the **DA1935KM** port labeled Mouse and the keyboard to the port labeled Keyboard. On the receiving end, make sure the Mouse output of the **DA1934KM** is connected to the mouse input port on the computer and the keyboard is connected to the Keyboard port. If the devices still do not function properly, see Cause 3.

Cause 3: The devices are not recognized.

Solution1: Reset the power to the **DA1935KM** and wait for the initialization. This should take only a few seconds. If the keyboard and mouse still do not work, see Solution 2.

Solution2: Restart the computer. If the keyboard and mouse still do not work, see Cause 4.

ALTINEX POLICY

9

9.1 LIMITED WARRANTY/RETURN POLICY

Please see the Altinex website at www.altinex.com for details on warranty and return policy.

9.2 CONTACT INFORMATION

ALTINEX, INC

592 Apollo street

Brea, CA 92821 USA

TEL: 714 990-2300

TOLL FREE: 1-800-ALTINEX

WEB: www.altinex.com

E-MAIL: solutions@altinex.com