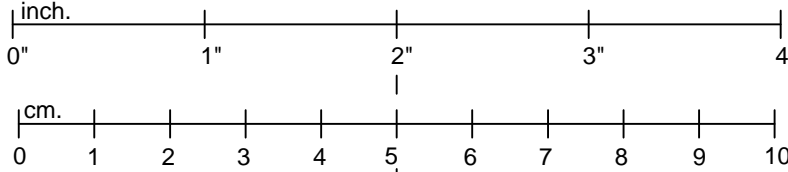


# 1. STOP

# 2. MEASURE

# 3. CUT

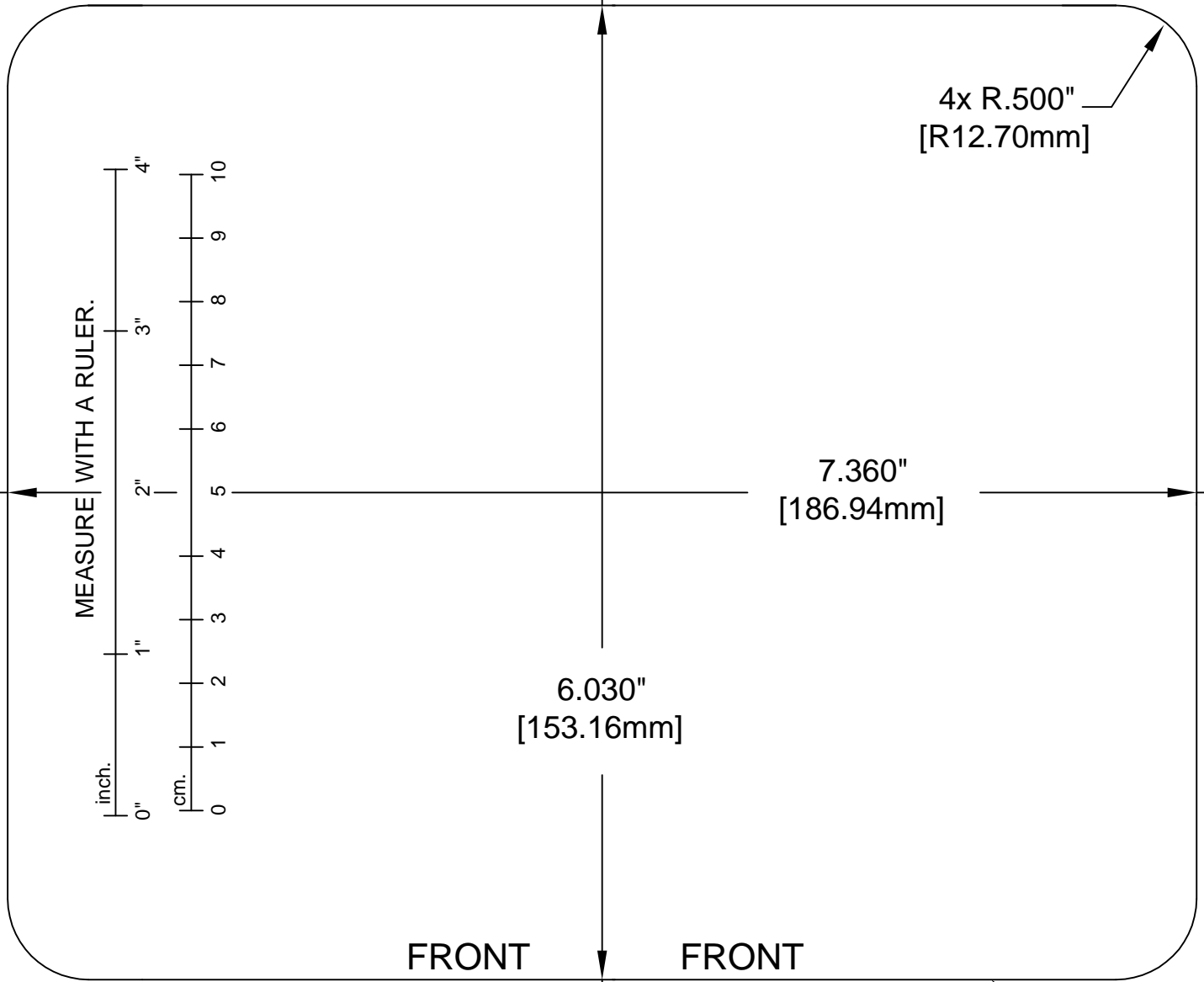
VERIFY ALL DIMENSIONS TO ENSURE THAT THIS PRINT IS 1 TO 1 SCALE.



Document p/n:  
250-0682-001  
Page 1 of 1

THIS IS A PRECISION CUT-OUT TEMPLATE.  
**DO NOT SCALE OR ADJUST!**

MEASURE WITH A RULER.



ALTINEX, INC. IS NOT RESPONSIBLE FOR ANY DAMAGE TO A TABLE OR DESK.



ALTINEX, INC. MODEL NUMBERS:

TNP500	TNP500C	PNP400	PNP400C
TNP502	TNP502C	PNP402	PNP402C
CNK240	CNK240C	CNK200	CNK200C

# 1. STOP

# 2. MEASURE

# 3. CUT