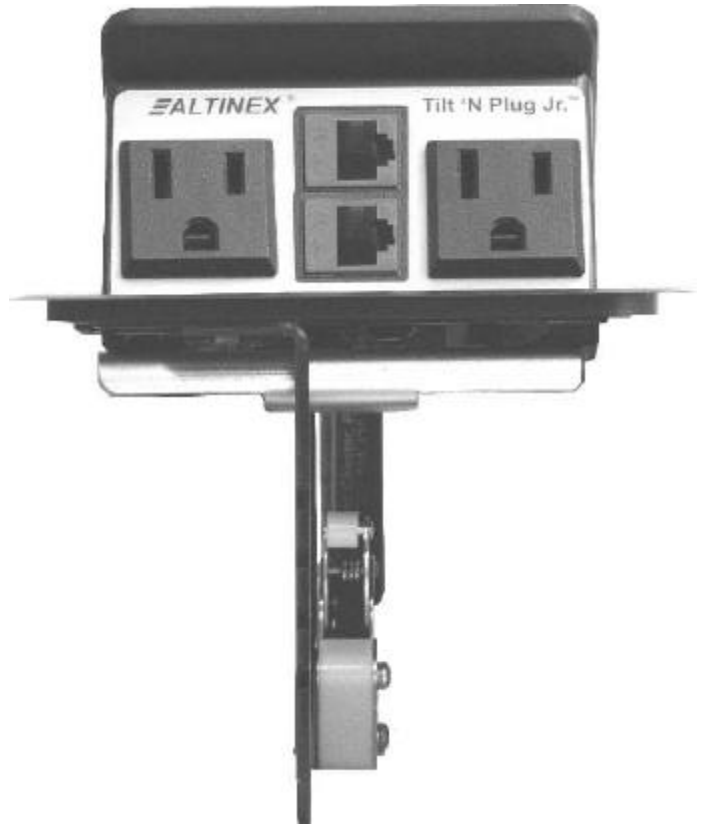


TABLE TOP SOLUTIONS



TNP121 Front View



TNP151 Front View

MANUAL PART NUMBER: 400-0110-006

TNP121/122/123/124/131/142

TNP151/152/162

TNP421/431/441/451

Tilt 'N Plug Jr.

Interconnect Boxes

ALTINEX

SIGNAL
MANAGEMENT
SOLUTIONS

Tel: 714-990-2300 • Toll-Free: 1-800-ALTINEX • FAX: 714-990-3303 • E-mail: solutions@altinex.com • Web: www.altinex.com

INTRODUCTION

Your purchase of the **Tilt 'N Plug Jr.** Interconnect Box is greatly appreciated. We are sure you will find it reliable and simple to use.

Superior performance for the right price, backed by solid technical and customer support is what ALTINEX has to offer.

The product you are holding in your hands is designed using state-of-the-art technology and is superior to anything available on the market. You will find this and our other products reliable, long lasting, and simple to operate.

We are committed to providing our customers with signal management solutions to the most demanding audio-visual installations at very competitive pricing.

We appreciate your selection of our products and are confident that you will join the ranks of our many satisfied customers throughout the world.

TABLE OF CONTENTS

	Page
PRECAUTIONS / SAFETY WARNINGS	2
GENERAL	2
INSTALLATION PRECAUTIONS	2
CLEANING	3
FCC / CE NOTICE	3
ABOUT YOUR TILT 'N PLUG JR. ™	3
TECHNICAL SPECIFICATIONS	4
TILT 'N PLUG JR. ™ DIMENSIONS.....	5
FACEPLATE DESCRIPTIONS.....	7
MOUNTING.....	8
INSTALLATION PROCEDURES.....	8
ALTINEX POLICY	9
LIMITED WARRANTY / RETURN POLICY	9
CONTACT INFORMATION.....	9

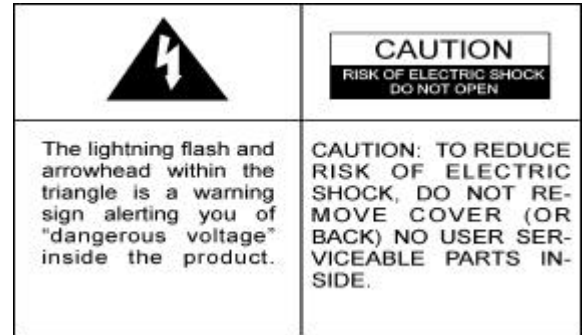
PRECAUTIONS / SAFETY WARNINGS

1

Please read this manual carefully before using your **Tilt 'N Plug Jr.**™ Interconnect Box. Keep this manual handy for future reference. These safety instructions are to ensure the long life of your **Tilt 'N Plug Jr.**™ and to prevent fire and shock hazard. Please read them carefully and heed all warnings.

1.1 GENERAL

- Unauthorized personnel shall not open the unit since there are high-voltage components inside.
- Qualified ALTINEX service personnel, or their authorized representatives must perform all service.



1.2 INSTALLATION PRECAUTIONS

- For best results, place the **Tilt 'N Plug Jr.**™ Interconnect Box in a dry area away from dust and moisture.
- To prevent fire or shock, do not expose this unit to rain or moisture. Do not place the **Tilt 'N Plug Jr.**™ Interconnect Box in direct sunlight, near heaters or heat radiating appliances, or near any liquid. Exposure to direct sunlight, smoke, or steam can harm internal components.
- Handle the **Tilt 'N Plug Jr.**™ Interconnect Box carefully. Dropping or jarring can damage the bezel.
- Never place fingers inside the opening on each side of the unit. This action could cause serious injury because of the sharp edges inside of the **Tilt 'N Plug Jr.**™.

- Do not place heavy objects on top of the **Tilt 'N Plug Jr.™**. Do not use excessive force to push down on the top of the unit.
- To turn off the main power, disconnect the power cord, which powers the power socket on the **Tilt 'N Plug Jr.™** pop up panel only. The power outlet used should be installed as near to the equipment as possible and should be easily accessible.
- We recommend using wall outlets with a Ground Fault Circuit Interrupter (GFCI) for maximum protection.
- Install all cables according to the instructions. Do not force or pull out any cable or power cord that is attached to the **Tilt 'N Plug Jr.™** Interconnect Box.

1.3 CLEANING

- Surfaces should be cleaned with a dry cloth. Never use strong detergents or solvents, such as alcohol or thinner. Do not use a wet cloth or water to clean the unit.

1.4 FCC / CE NOTICE

- This device complies with part 15 of the FCC Rules. Operation is subject to the following two conditions: (1) This device may not cause harmful interference, and (2) this device must accept any interference received, including interference that may cause undesired operation.
- This equipment has been tested and found to comply with the limits for a Class A digital device, pursuant to Part 15 of the FCC Rules. These limits are designed to provide reasonable protection against harmful interference when the equipment is operated in a commercial environment. This equipment generates, uses, and can radiate radio frequency energy and, if not installed and used in accordance with the instruction manual, may cause harmful interference to radio communications. Operation of this equipment in a residential area is likely to cause harmful interference in which case

the user will be required to correct the interference at his own expense.

- Any changes or modifications to the unit not expressly approved by ALTINEX, Inc. could void the user's authority to operate the equipment.

ABOUT YOUR Tilt 'N Plug Jr.™ 2

Tilt 'N Plug Jr.™s are members of a family of compact interconnection solutions designed for installation into a table in a presentation system. These products are designed for mounting into a table, podium, or other furniture to provide a way of connecting audio/visual equipment on top of the furniture to a presentation system below the furniture.

All use the same core element; a multimedia input plate that can be "tilted" open when needed and pushed closed when not needed.

The **TNP122/142/ 152/162** incorporates two **Tilt 'N Plug Jr.™** individual tower modules, the **TNP123** incorporates three individual modules and the **TNP124** incorporates four individual modules. Each module can be operated independently; the **TNP124/152** can service from one to four users simultaneously. During installation of the **TNP122/123/152/162**, the individual tower modules can be reversed to face opposite directions through a simple field-modification to the bezel. This alternative configuration is handy for applications in which the **TNP122/123/152/162** needs to service two sides of a table simultaneously. Note that the **TNP142** is the same as a **TNP122** but with the modules factory-installed facing in opposite directions.

The **TNP131** is the same as a **TNP121** but with a round bezel instead of square. The **TNP162** is a dual module configuration with a **TNP121** module and a **TNP151** module side by side. The **TNP124** is a quad **TNP121** with two rows of twin modules facing in opposite directions; the modules in the **TNP124** cannot be reversed.

The **TNP421/431/441/451** are international models with power connectors for specific countries. The **TNP421** has a standard "Schuko" receptacle for

TABLE TOP SOLUTIONS

most European countries, the **TNP431** is for the U.K., Singapore and Hong Kong, the **TNP441** is for Australia and New Zealand and the **TNP451** is for South Africa. Versions of the **TNP121/122/123/124/131/142** with a universal IEC320 connector instead of the U.S. power connector are also available.

All signals are passed through the input plate to cables on the underside of the table without passing through any circuitry. In some applications, the use of additional ALTINEX signal management solutions — such as computer video interfaces, distribution amplifiers, and switchers — may be desirable.

The input plate on the **Tilt 'N Plug Jr.™** is accessed by pushing down on the top cover, which will then auto-tilt open into view with help from a pneumatic spring inside the unit. Once opened, the input plate remains securely in place. The input plate is hidden by pressing down on the top cover until the latching mechanism engages. In its closed position, the top panel lies flush with the table top, held in place by the latching mechanism.

All **Tilt 'N Plug Jr.™** solutions come with a standard top and bezel offering a high quality matte black finish.

Other optional finishes — Fine Antique Brass, Satin Blush White Gold, Fine Antique Chrome, Antique Copper, Crystallite Copper, Bright Gold, Bright Silver and Brushed Aluminum— are available on a custom order basis. Also, special bezel configurations may be available for large custom orders. Please contact an ALTINEX representative to discuss custom options.

TECHNICAL SPECIFICATIONS 3

Specifications are subject to change. See www.altinex.com for up-to-date information.

MECHANICAL	TNP121/131/TNP151
Width	4.60 in. (117 mm)
Diameter (TNP131)	5.75 in. (146 mm)
Height, opened	5.50 in. (140 mm)
Depth (TNP121/151)	4.90 in. (124.5 mm)
Finish	Matte Black
T° Operating	10°C-35°C
T° Maximum	40°C
Humidity	90% non-condensing

Table 1. **TNP121/131/151** Mechanical

MECHANICAL	TNP122/124/142/152/162
Width	8.70 in. (221 mm)
Height, opened	5.50 in. (140 mm)
Depth	4.90 in. (124.5 mm)
Finish	Matte Black
T° Operating	10°C-35°C
T° Maximum	40°C
Humidity	90% non-condensing

Table 2. **TNP122/124/142/152/162** Mechanical

MECHANICAL	TNP123
Width	12.80 in. (325 mm)
Height, opened	5.50 in. (140 mm)
Depth	4.90 in. (124.5 mm)
Finish	Matte Black
T° Operating	10°C-35°C
T° Maximum	40°C
Humidity	90% non-condensing

Table 3. **TNP123** Mechanical

MECHANICAL	TNP421/431/441/451
Width	5.70 in. (145 mm)
Height, opened	6.37 in. (162 mm)
Depth	5.20 in. (132 mm)
Finish	Matte Black
T° Operating	10°C-35°C
T° Maximum	40°C
Humidity	90% non-condensing

Table 4. **TNP421/431/441/451** Mechanical

TABLE TOP SOLUTIONS

ELECTRICAL (Single outlet panel)	TNP121/122/123/124 TNP131/142/162
Power Rating (pass through power connectors)	110VAC, 60Hz, 5A per connector

Table 5. **TNP121/122/123/124/131/142** Electrical

ELECTRICAL (Dual outlet panel)	TNP151/152/162
Power Rating (pass through power connectors)	110VAC, 60Hz, 2.5A per connector

Table 6. **TNP151/152** Electrical

ELECTRICAL	TNP421/431/441/451
Power Rating (pass through power connector)	220-240VAC, 50/60Hz, 5A

Table 7. **TNP421/431/441/451** Electrical

Tilt 'N Plug Jr.™ DIMENSIONS 4

Diagram 1: Dimensions

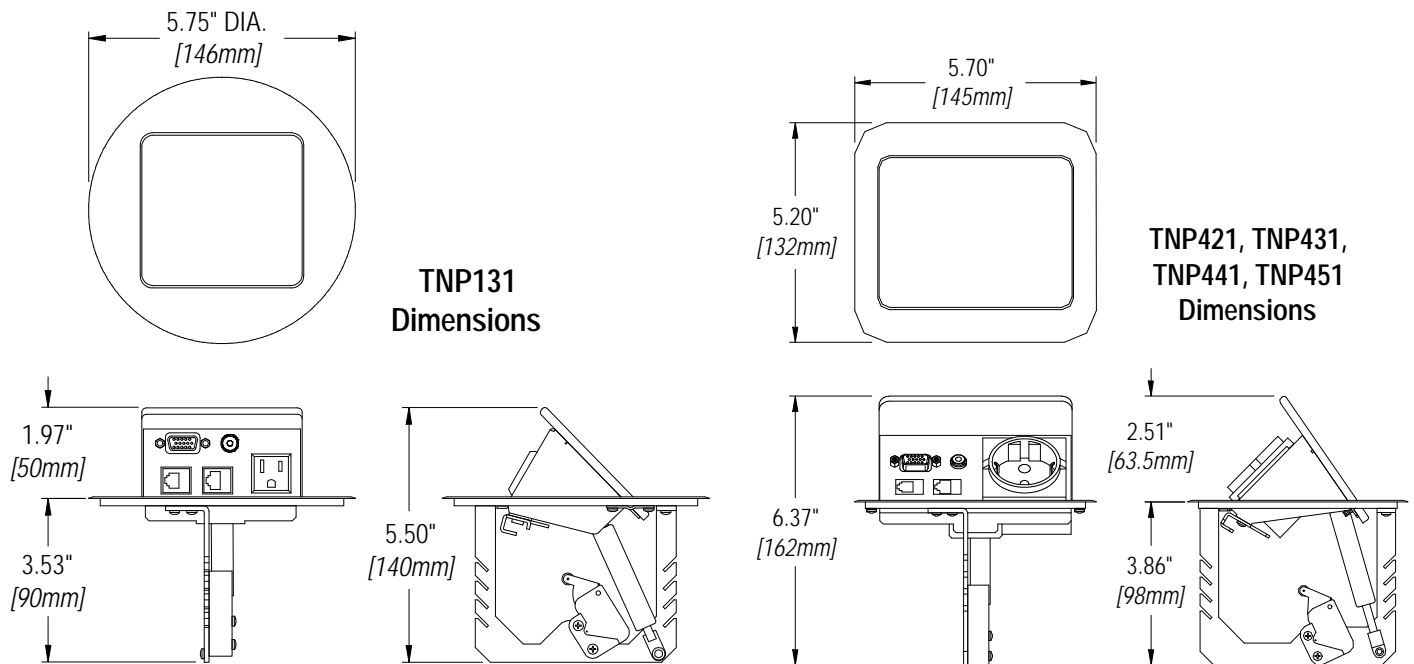
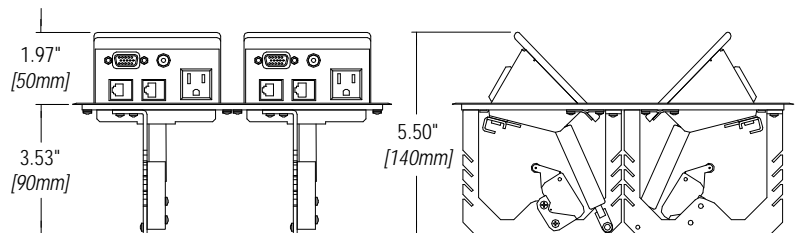
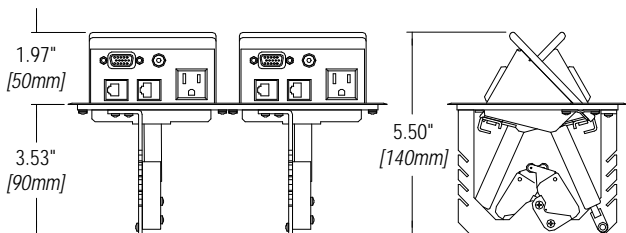
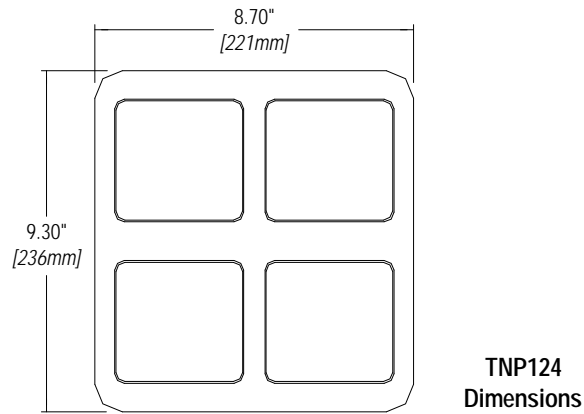
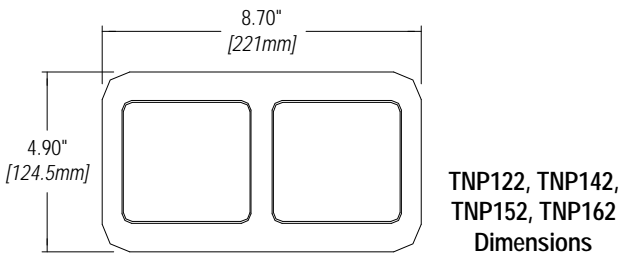
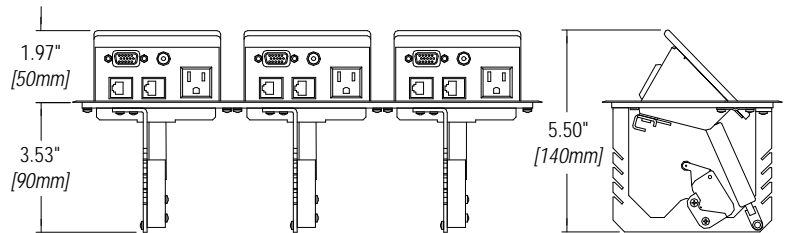
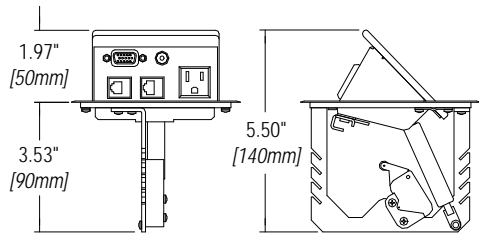
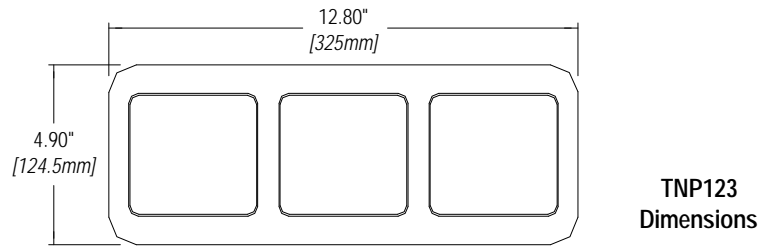
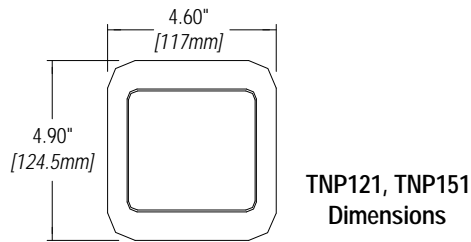


TABLE TOP SOLUTIONS

Tilt 'N Plug Jr.™ DIMENSIONS 4

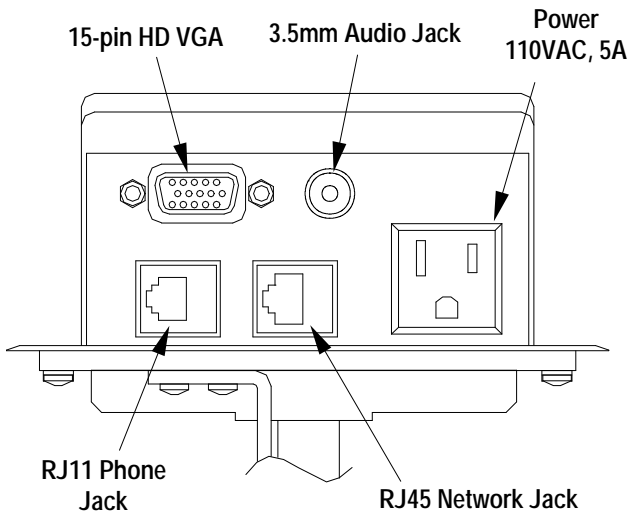


Detailed dimensions, tabletop cutout templates and CAD drawings are available on the ALTINEX website at www.altinex.com

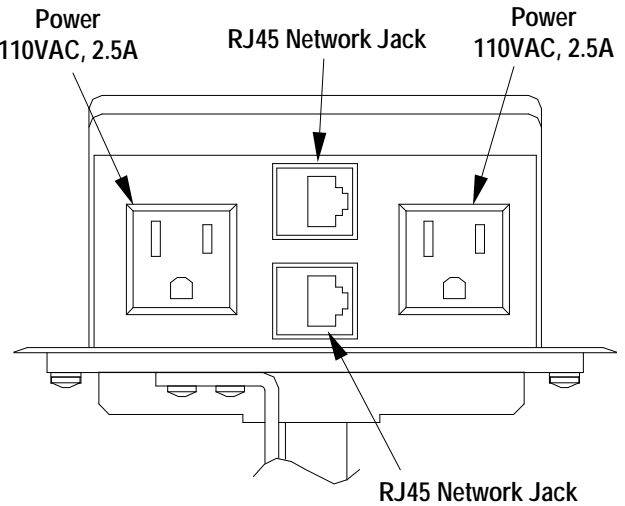
DESCRIPTION DIAGRAM 5

Diagram 2: Standard Faceplate Features

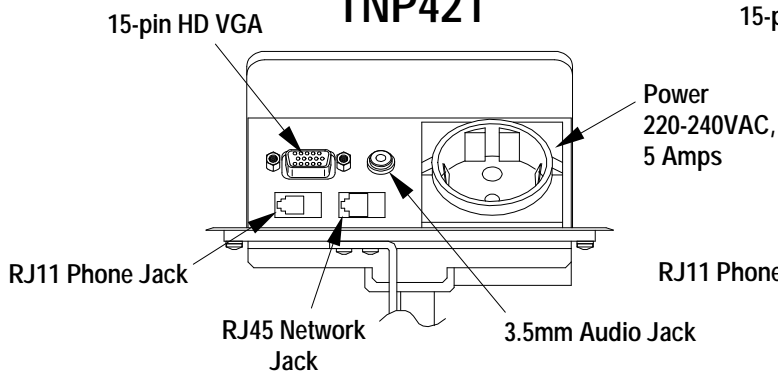
TNP121/122/123/124/131/142/162 FACEPLATES



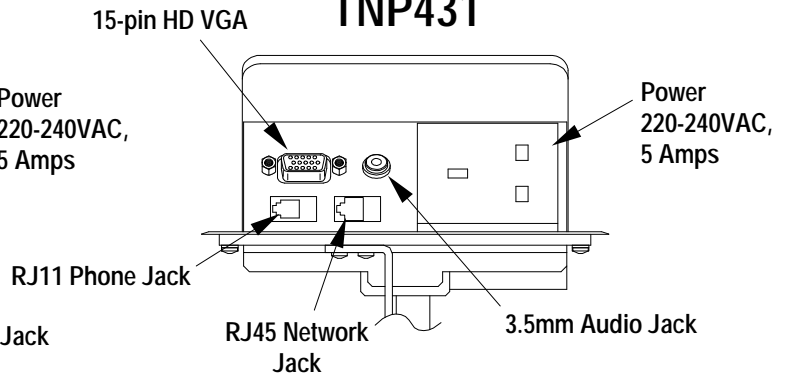
TNP151/152/162 FACEPLATES



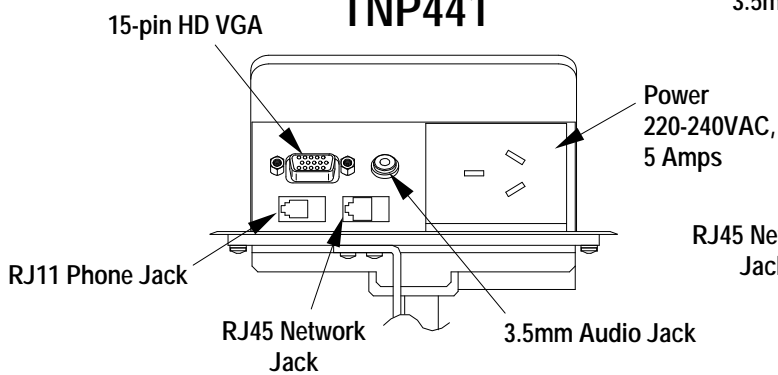
TNP421



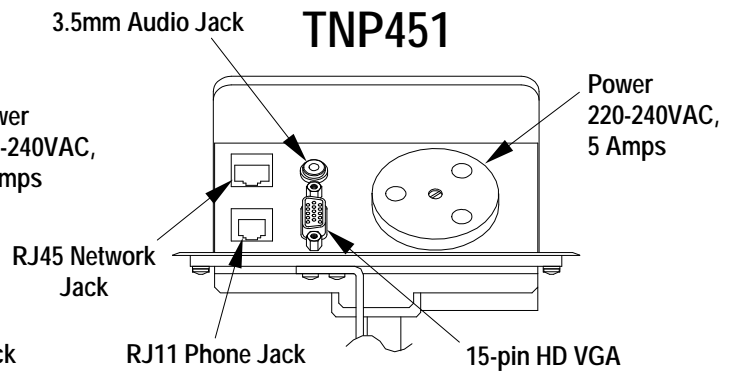
TNP431



TNP441

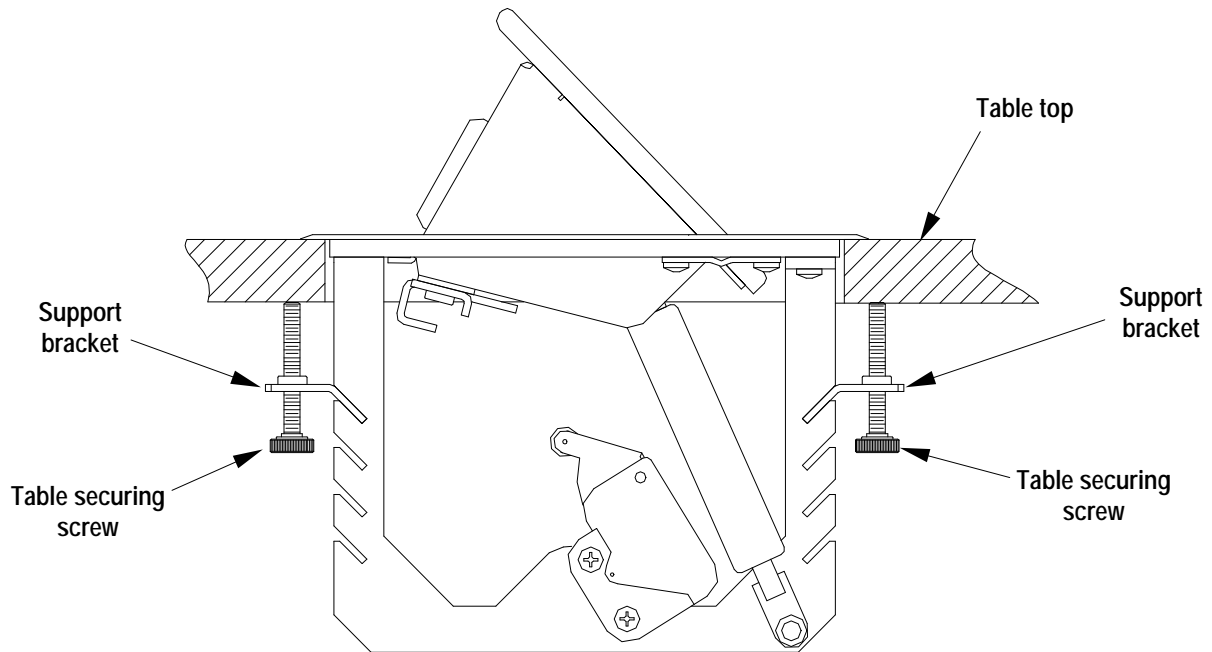


TNP451



MOUNTING DIAGRAM 6

Diagram 3: Mounting a Tilt 'N Plug Jr.™



INSTALLATION PROCEDURES 7

Step 1. Cut an opening into the table's surface. Refer to the ALTINEX website at www.altinex.com for table cutout requirements.

Note: The table can be 3 inches or thinner in thickness. Always confirm dimensions before cutting to insure that specifications have not changed.

Step 2. Insert the your **Tilt 'N Plug Jr.™** into the table cutout.

Step 3. Place the support brackets under the table and place them between the support mount grooves on the side of the your **Tilt 'N Plug Jr.™**. Attach the brackets to the groove at the desired height and secure them to the bottom of the table using the #6-32 screw. There are two support brackets for each module, one for each side of the unit (see Diagram 3). For the **TNP124** model, only the outer sides of each module will have a bracket placed in the grooves for a total of four.

Step 4. Secure the cables by using the provided cable clamps and screws. Pass the power cord from the bottom of the housing and attach it to the table using the cable clamp and screw supplied with the your **Tilt 'N Plug Jr.™**. Leave enough slack in the service loop to allow for easy opening and closing, but not too much as to cause excess drooping of the service loop.

Step 5. Connect the appropriate cables with the correct input connectors on the bottom of the unit.

Step 6. Once you have applied power and connected the proper cables on the bottom of the unit you may raise the unit. To raise the **Tilt 'N Plug Jr.™** into position, push down on the front of the top cover; the latching mechanism will then release,

allowing the pneumatic spring to raise it into position.

Step 7. To lower the unit, push on the top of the **Tilt 'N Plug Jr.™** until it locks into place.

TROUBLESHOOTING GUIDE 8

The **Tilt 'N Plug Jr.™** supplied unit was carefully tested and no problems were detected. However, we would like to offer the following suggestions:

- Please make sure that the highest quality network cables are used.
- Make sure that no cable or power cord is damaged or pinched. If there has been damage, then do not use the **Tilt 'N Plug Jr.™**. Immediately contact the ALTINEX Customer Service Department to have the unit repaired.

ALTINEX POLICY 9

9.0 LIMITED WARRANTY / RETURN POLICY

Please see the Altinex website at www.altinex.com for details on warranty and return policy.

9.1 CONTACT INFORMATION

ALTINEX, INC.

592 Apollo Street
Brea, CA 92821 USA

TEL: 714-990-2300

TOLL FREE: 1-800-ALTINEX

WEB: www.altinex.com

E-MAIL: solutions@altinex.com

FAX: 714-990-3303