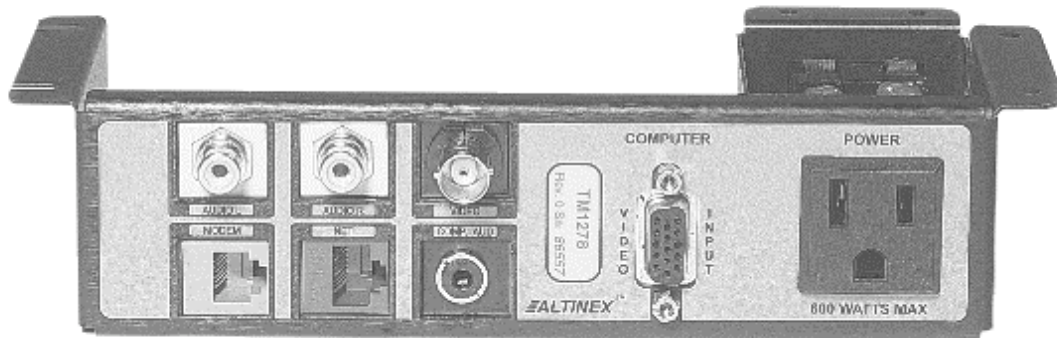


# MOUNTING BRACKETS

---



MODEL TM1278 FOR THE UNITED STATES SHOWN ABOVE

---

MANUAL PART NUMBER: 400-0061-003  
PRODUCT REVISION: 0

## **TM-SERIES**

## **TABLE MOUNTING BRACKETS**

## **USER'S GUIDE**

---

**ALTINEX**



Tel: 714-990-2300 • Toll-Free: 1-800-ALTINEX • FAX: 714-990-3303 • E-mail: [solutions@altinex.com](mailto:solutions@altinex.com) • Web: [www.altinex.com](http://www.altinex.com)

# MOUNTING BRACKETS

## INTRODUCTION

Thank you for purchasing the **TM-Series** Mounting Brackets. We are sure you will find it a reliable and useful product.

Superior performance for the right price backed by solid technical and customer support is what we have to offer.

The product you are holding in your hands is designed using state-of-the-art technology and is superior to anything available on the market. You will find this and our other products reliable, long lasting, and simple to operate.

We are committed to providing our customers with solutions to the most demanding audio-visual installations at very competitive pricing.

We appreciate your selection of our products and are confident that you will join the ranks of our many satisfied customers throughout the world.

**This manual covers:** TM-Series Mounting Brackets

## TABLE OF CONTENTS

	Page
PRECAUTIONS/SAFETY WARNINGS .....	2
GENERAL .....	2
INSTALLATION.....	2
CLEANING.....	2
FCC NOTICE .....	2
APPLICATION DIAGRAM .....	3
TM1271 TABLE MOUNTING BRACKET.....	3
TM1272 TABLE MOUNTING BRACKET WITH COMPUTER INPUT .....	3
TM1273 TABLE MOUNTING BRACKET WITH COMPUTER + AV INPUTS.....	4
TM1274 TABLE MOUNTING BRACKET WITH COMPUTER + AV INPUTS + POWER .....	4
TM1278 TABLE MOUNTING CONNECTOR PANEL WITH COMPUTER + AV INPUTS + POWER .....	5
INSTALLING YOUR TABLE MOUNTING BRACKETS .....	6
INSTRUCTIONS FOR REMOVING RJ11 AND RJ45 CONNECTORS.....	6
ALTINEX POLICY .....	6
LIMITED WARRANTY.....	6
RETURN POLICY .....	6
CONTACT INFORMATION.....	6

## PRECAUTIONS / SAFETY WARNINGS 1

Please read this manual carefully before using your **TM-SERIES** Mounting Brackets. Keep this manual handy for future reference. These safety instructions are to ensure the long life of your **TM-SERIES** Mounting Brackets and to prevent fire and shock hazard. Please read them carefully and heed all warnings.

### 1.1. GENERAL

- There are no user serviceable parts inside. Only qualified ALTINEX service personnel must do all service on the **TM-SERIES** Mounting Brackets.

### 1.2. INSTALLATION

- For best results, place the **TM-SERIES** Mounting Brackets on a flat, leveled surface in a dry area away from dust and moisture.
- To prevent fire or shock, do not expose this unit to rain or moisture.
- Do not place the **TM-SERIES** Mounting Brackets in direct sunlight, near heaters or heat radiating appliances, or near any liquid.
- Exposure to direct sunlight, smoke, or steam can harm the **TM-SERIES** Mounting Brackets.
- Handle the **TM-SERIES** Mounting Brackets carefully. Dropping or jarring can damage internal components.
- Do not place heavy objects on top of the **TM-SERIES** Mounting Brackets.
- When mounting the **TM-SERIES** Mounting Brackets to a table or wall, use only Altinex made mounting accessories, such as brackets (**DA1295SX**) and cables for optimum setup.

### 1.3. CLEANING

- Clean surfaces with a dry cloth. Never use strong detergents or solvents, such as alcohol or thinner. Do not use a wet cloth or water to clean the unit.

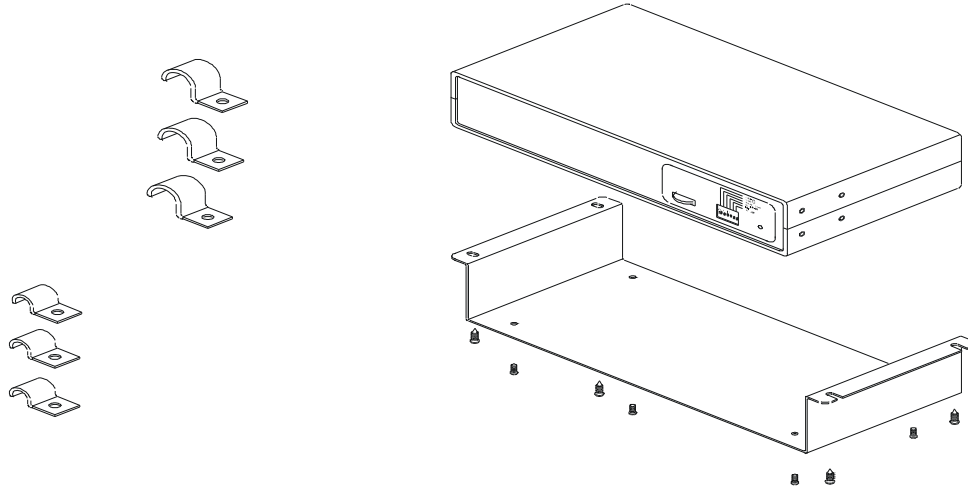
### 1.4. FCC / CE NOTICE

- This device complies with the part 15 of the FCC Rules. Operation is subject to the following two conditions: (1) This device may not cause harmful interference, and (2) this device must accept any interference received, including interference that may cause undesired operation.
- This equipment has been tested and found to comply with the limits for a Class A digital device, pursuant to Part 15 of the FCC Rules. These limits are designed to provide reasonable protection against harmful interference when the equipment is operated in a commercial environment. This equipment generates, uses, and can radiate radio frequency energy and, if not installed and used in accordance with the instruction manual, may cause harmful interference to radio communications. Operation of this equipment in a residential area is likely to cause harmful interference in which case the user will be required to correct the interference at his own expense.
- Any changes or modifications to the unit not expressly approved by Altinex, Inc. could void the user's authority to operate the equipment.

# MOUNTING BRACKETS

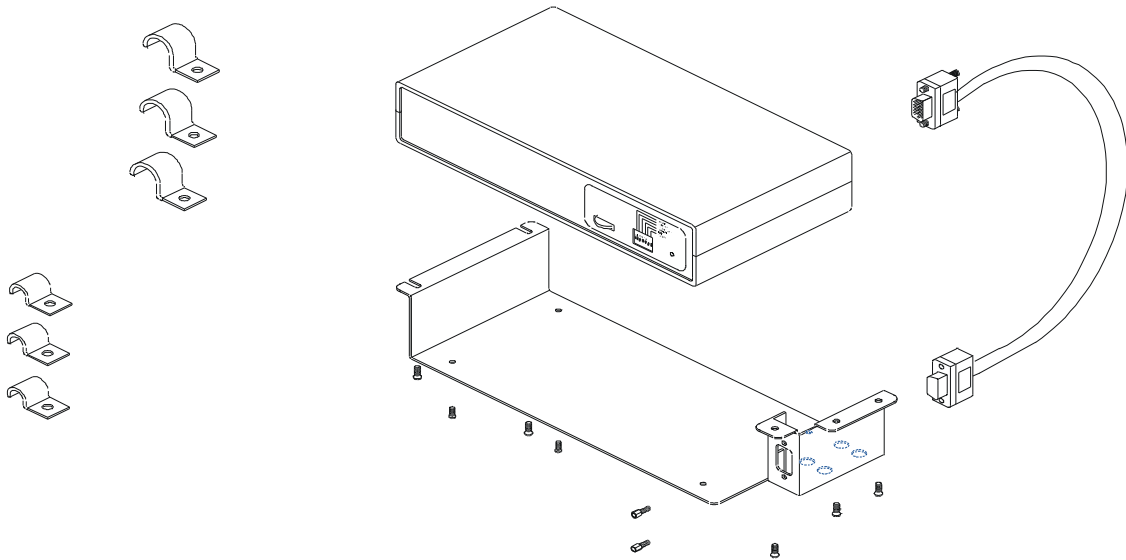
The **TM1271**, **TM1272**, **TM1273**, **TM1274** Table Mounting Brackets, and the **TM1278** Table Mounting Connector Panel are designed for under the table installation of ALTINEX's **VA6834FC**, **VA6835FC**, and **VA6831FC** Interfaces. These brackets can also be used for other ALTINEX products that are in 1U high, ½ rack wide enclosures.

## TM1271 TABLE MOUNTING BRACKET



The **TM1271** is a basic bracket for conveniently mounting the unit under the table.

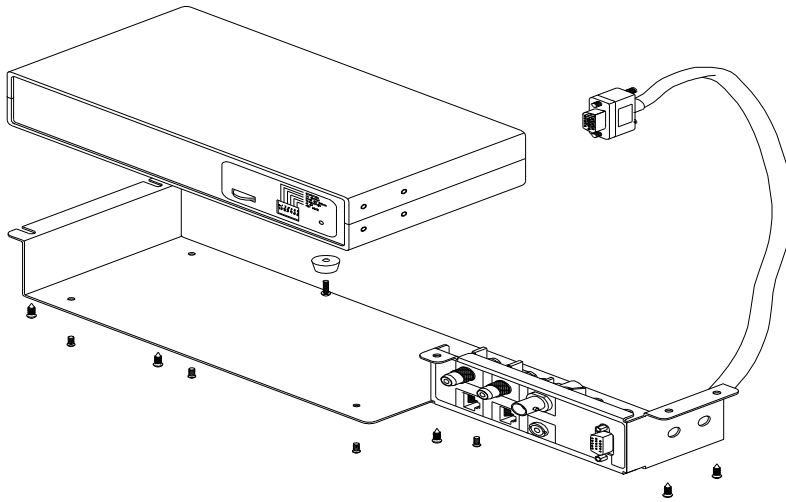
## TM1272 TABLE MOUNTING BRACKET WITH COMPUTER INPUT



The **TM1272** provides computer input from the front of the unit and allows an easy connection of the computer to the AV system.

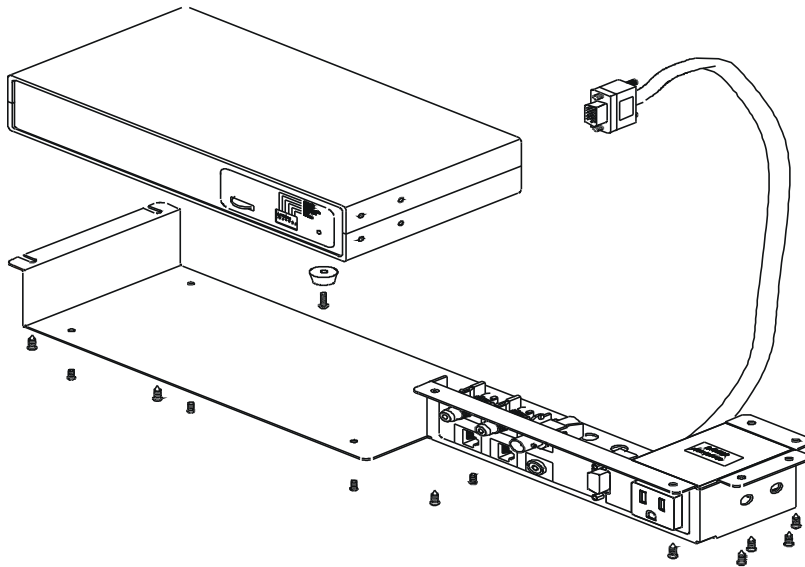
# MOUNTING BRACKETS

## TM1273 TABLE MOUNTING BRACKET WITH COMPUTER + AV INPUTS



The **TM1273** mounting bracket, in addition to computer video input also offers composite video, audio, computer audio, telephone, and LAN connectivity.

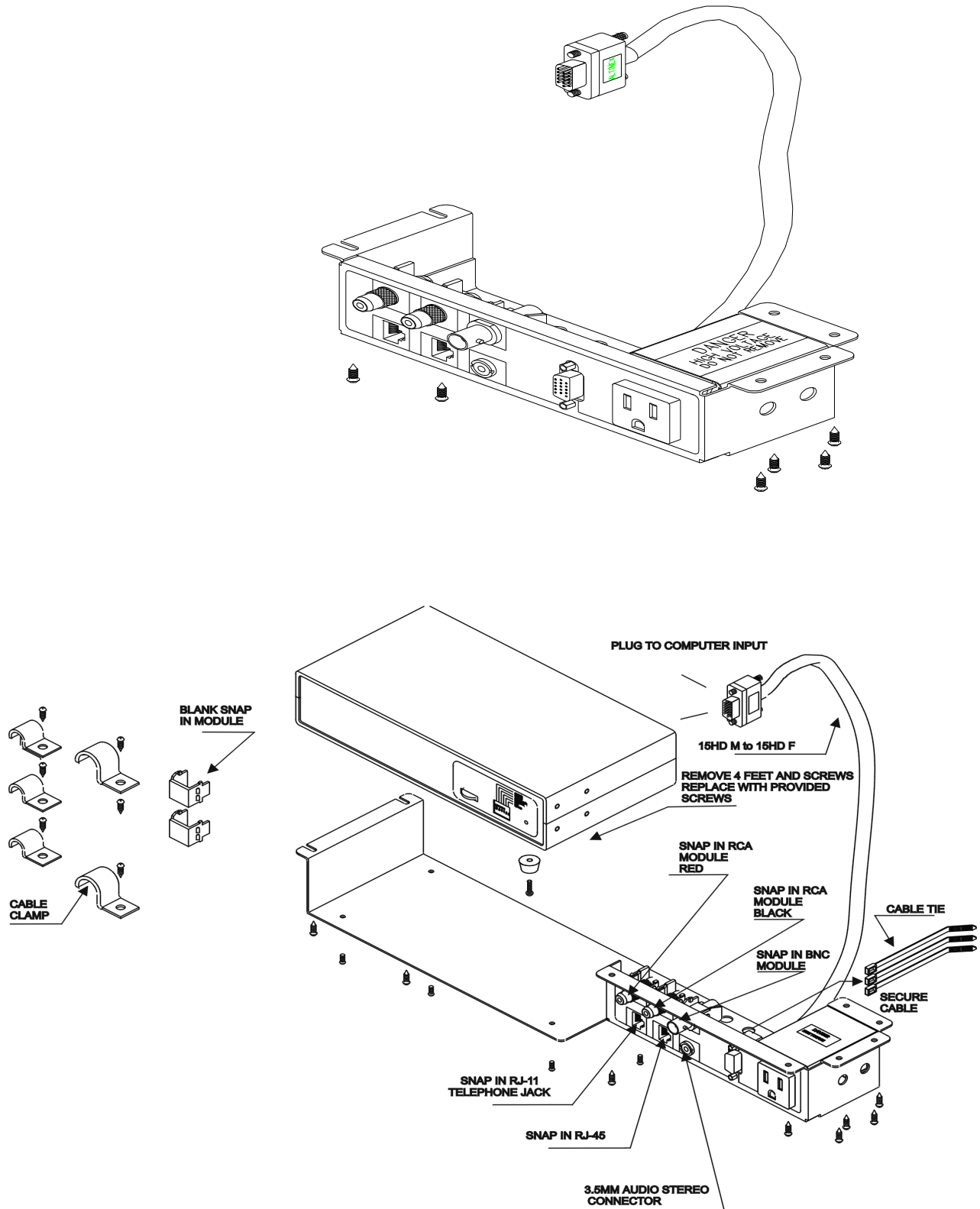
## TM1274 TABLE MOUNTING BRACKET WITH COMPUTER +AV INPUTS+ POWER



The **TM1274** mounting bracket has the same capabilities as **TM1273** with the addition of an AC Power connector.

# MOUNTING BRACKETS

## TM1278 TABLE MOUNTING CONNECTOR PANEL WITH COMPUTER +AV INPUTS+ POWER



## INSTALLING YOUR TABLE MOUNTING BRACKETS

2

- Step 1.** To secure the unit to the mounting shelf, remove the 4 rubber feet from the bottom of the unit.
- Step 2.** Attached unit to the mounting shelf with 4 provided screws.
- Step 3.** Secure the unit under the table using 6 metal screws provided with the unit.
- Step 4.** Make necessary connections to the snap-in connectors.
- Step 5.** Use cable tie to secure the cable to the mounting shelf (insert through the holes on the bottom of the unit).
- Step 6.** Use provided cable clamps to secure cable to the desktop.
- Step 7.** The two blank snap-in modules are provided for those cases where blank modules need to replace snap-in module with connectors.

### Instructions for removing RJ11 and RJ45 Connectors.

To remove RJ11 or RJ45 connector, carefully insert a screwdriver into the side of the RJ11 or RJ45 connector and gently release the connector.

ALTINEX recommends that a trained telecommunication contractor wire phone/modem and RJ45 connectors.

Please visit our website: [WWW.ALTINEX.COM](http://WWW.ALTINEX.COM) for information related to the pin out of the cables.

## ALTINEX POLICY

3

### 3.1 LIMITED WARRANTY

Altinex warrants that its products and cables are free from defects in materials under normal use and service. This warranty is limited to repairing at company's factory any part or parts of the product that which upon company's examination shall disclose to be thus, defective. Products considered defective should be returned to company with transportation charges pre-paid, within 2 years or (90 days for cables) from date of shipment to the purchaser. The warranty is expressly instead of all other warranties expressed or implied. Altinex

neither assumes nor authorizes any other person to assume for it any other liability concerning the sale of the products. This warranty shall not apply to any product that has been repaired or altered outside of company's factory in any way, so as, to affect its stability or reliability, or that has been subject to misuse, negligence, or accident.

### 3.2 RETURN POLICY

It is very important to Altinex that you receive the products that you have ordered and that this product fulfills your need. In the unlikely event, that an Altinex product needs to be returned please follow the policy below:

Altinex will accept product returns for a period of 30 days from authorized Altinex dealers. Products must be returned in an unopened package.

If a product has been opened, the restocking fees will apply. For the restocking fee amount, please contact an Altinex Sales Representative.

If the product is in your possession for more than 30 days the restocking, fees will apply.

Altinex will not accept any returns on cables or custom products.

If your product is in warranty and needs service, contact the Altinex Sales Department for an RMA (Return Material Authorization). Products returned without an RMA number may experience a delay in service.

If your product is out of warranty and needs service, contact the Altinex Sales Department for an RMA (Return Material Authorization). Products returned without an RMA number may experience a delay in service. The service charges will be quoted to you before the actual repairs are done.

### 3.3 CONTACT INFORMATION

#### Sales Department

Phone: 714-990-2300

Fax: 714-990-3303

#### Accounting Department

Phone: 714-990-6088

Fax: 714-990-5778